

# DAB16RT

This articulated platform has a very low centre of gravity to optimise its performance. It is equipped with a fuel-saving diesel engine and 4 drive wheels integrated into the axle for improved offroad performance. The boom folds for transport so that the vehicle can be shipped in a container.

## STANDARD EQUIPMENT

- Modular design with high compatibility of pieces within the whole range
- Proportional controls
- Thumb rocker steering
- Flashing light
- Horn
- Hour counter
- Harsh Environment Kits
- 12V DC Auxiliary Power

## PERFORMANCE

- Front oscillating axles to match the terrain irregularities granting optimal adherence to the ground
- 2 Wheels Steering
- Four-wheel drive
- Positive traction four wheel drive
- 360° rotation (continuous)

## ENGINE

- Stage V engine (Stage IIIA available upon request)
- Auto Engine Fault Shutdown
- Anti-reverse Engine Device
- Anti-restart Engine Protection
- Hydraulic oil radiator

## BASKET

- Self levelling platform
- Rotating basket +/-90°
- Power to platform

## SAFETY

- Drive enable system
- Platform load sense system
- On-board diagnostics system
- Tilt indicator with alarm
- Crushing protection
- Emergency lowering system

## APPLICAZIONI PRINCIPALI



Edilizia



Grandi  
Eventi



Manutenzione  
di aeromobili,  
Riparazione navale



Impiantistica



Oil & gas

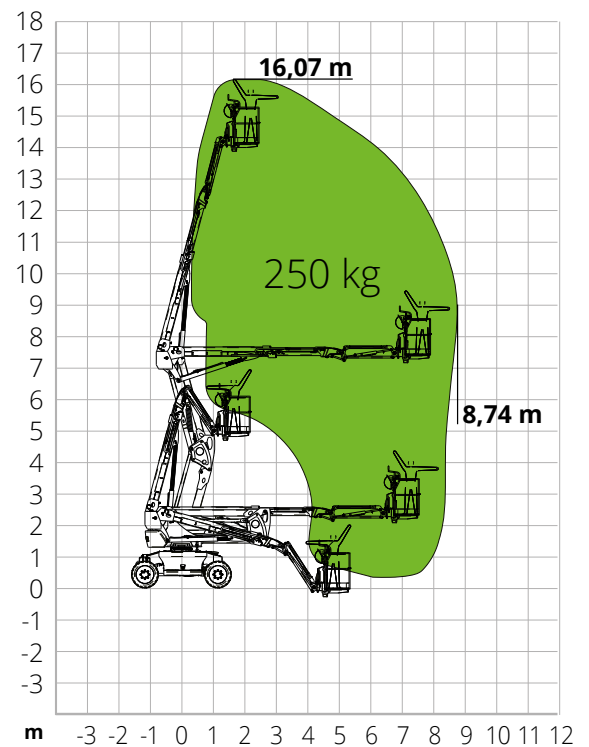


Restauro

## DAB16RT

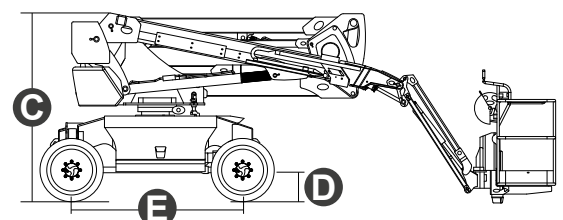
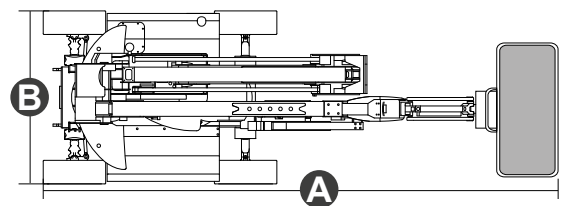
Max. working height	16.07m
Max. basket height	14.07 m
Articulation point	7.25 m
Max. reach	8.74 m
Below-ground height	1.06 m
Below-ground reach	7.25 m
Max. platform load capacity	250 kg
Max. Occupants	2
Max. gradeability (stowed)	X-5°/Y-5°
Max. working slope	40%
Max. wind speed	12.5 m/s
Turning radius (outside)	4.49 m
Turning radius (inside)	2.92 m
Turret rotation (continuous)	360°
Jib type	Regular
Jib length	4.20 m
Jib vertical rotation	132°
Basket width	0.79 m
Basket length	1.83 m
Basket rotation	180°
Total weight	7,780 kg
Travel speed (closed config.)	6.0km/h
Travel speed (working config.)	1.1km/h
Tyres	315/55 D20
Engine	Kubota D1105/18kW
Diesel tank capacity	115 l
Hydraulic tank capacity	145 l
Emergency power system	-
Transmission	Hydrostatic

## LOAD CHART



## DIMENSIONS

<b>A</b> Platform length	7.05 m
Platform length (transport)	5.19 m
<b>B</b> Platform width (tyres)	2.33 m
Platform width (transport)	2.33 m
<b>C</b> Platform height	2.55 m
Platform height (transport)	2.57 m
<b>E</b> Wheelbase	2.30 m
Tailswing	0.19 m
<b>D</b> Ground clearance	0.31 m



STANDARDS COMPLIANCE: EN 280, ANSI/SAIA A92.20

# #LIFTDIFFERENT

www.magnith.com



The data in this brochure are provided for the purposes of information and subject to change without notice.