

RTH

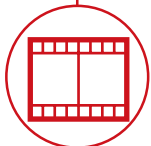
8.46



CONSTRUCTION



LOGISTICS



EVENTS AND
FILM



RTH
8.46



CAB

Best-in-class
safety and visibility



PERFORMANCE

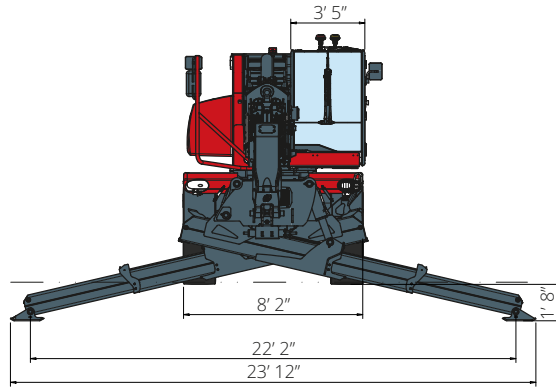
Unrivaled lifting
performance



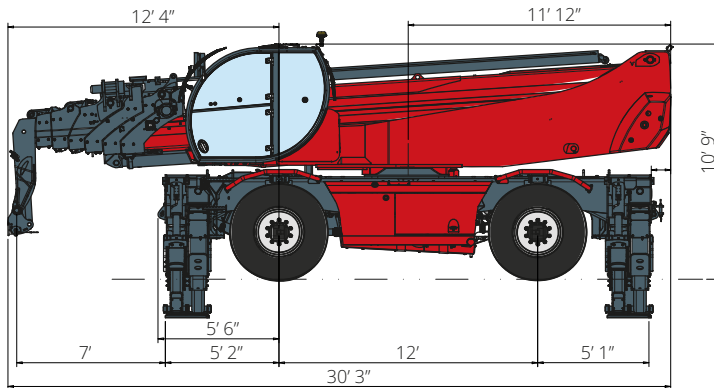
LOAD LIVE DIAGRAM

Three real-time dynamic
load charts

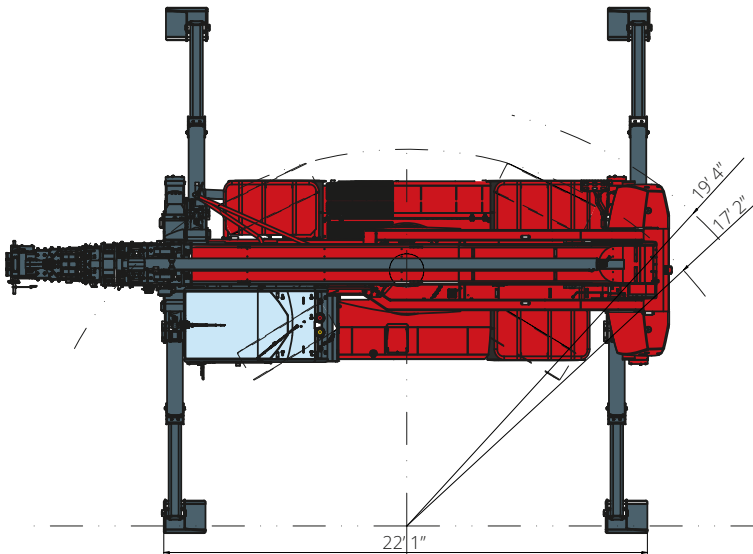
DIMENSIONS (ft and in)



FRONT
view



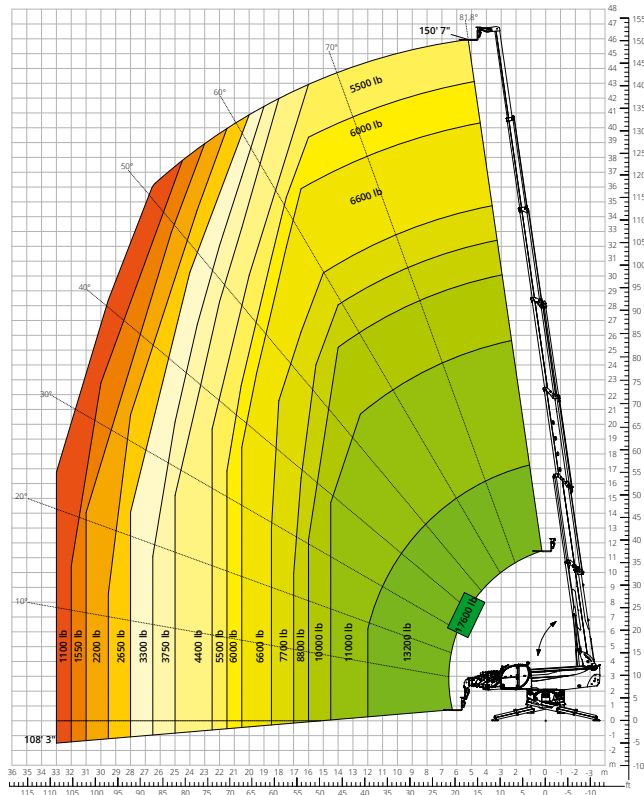
SIDE
view



TOP
view

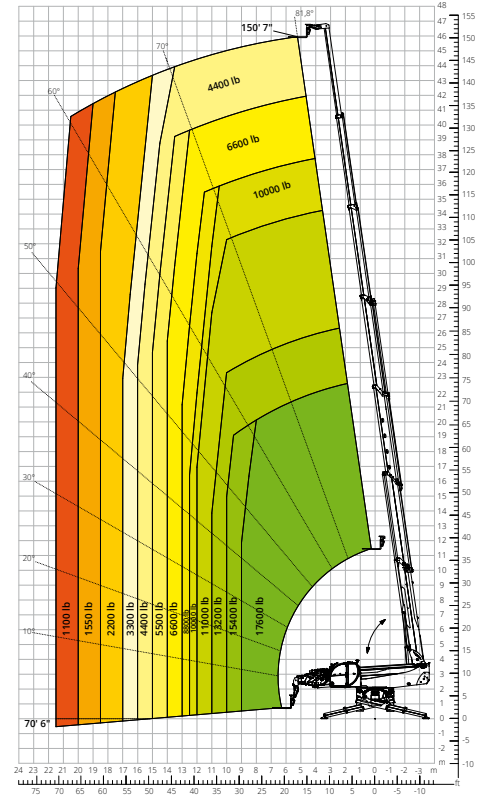
Load chart with
FULLY EXTENDED STABILIZERS (360°) - M1

ATT - 03 - 007



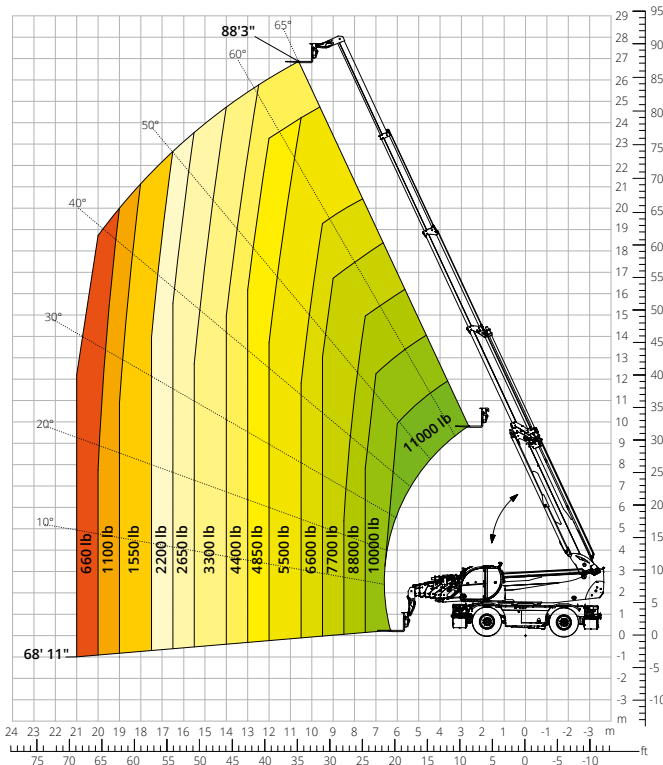
Load chart with
FULLY EXTENDED STABILIZERS (360°) - M2

ATT - 03 - 007



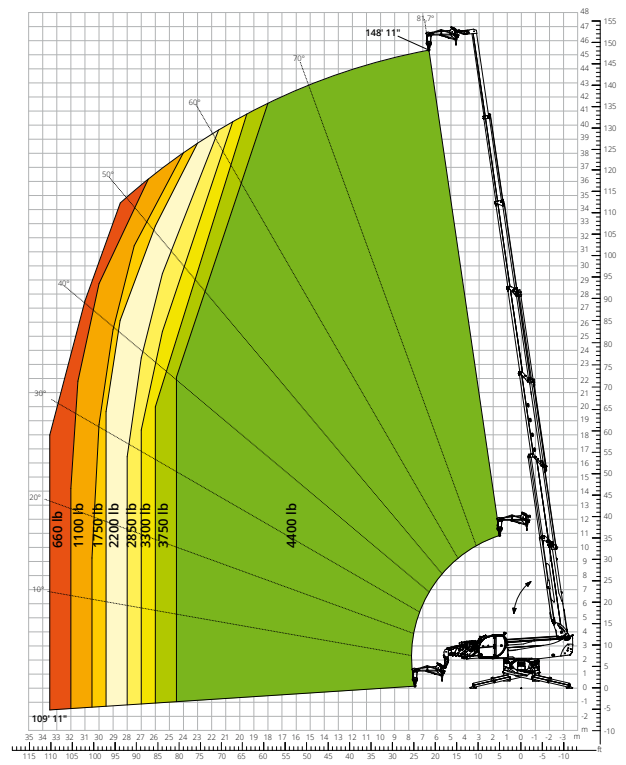
Load chart
FRONT ATTACHMENT ON TIRES

ATT - 03 - 007



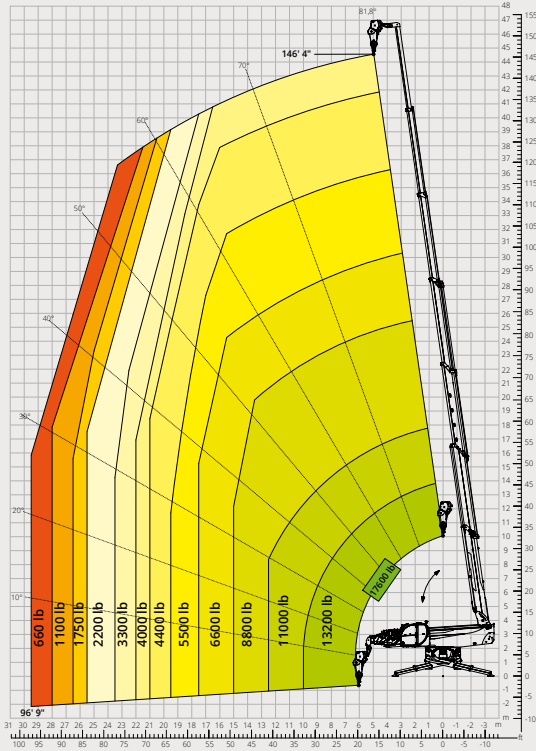
Load chart with
JIB WITH WINCH, 4,400 lb

ATT - 04 - 015



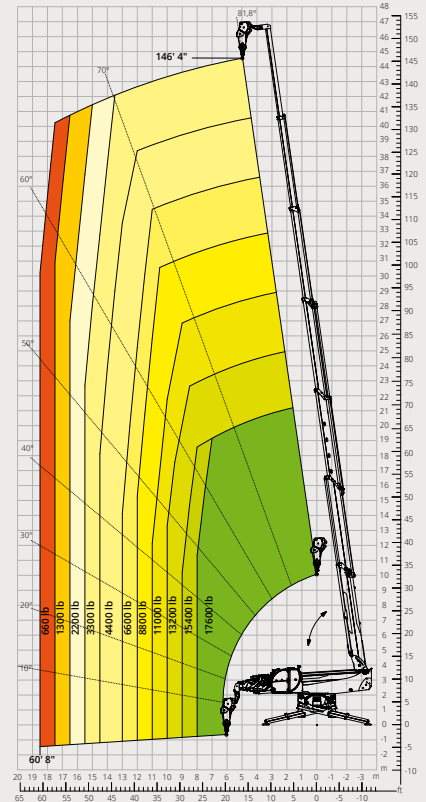
Load chart with
WINCH, 17,600 lb - M1

ATT - 02 - 006



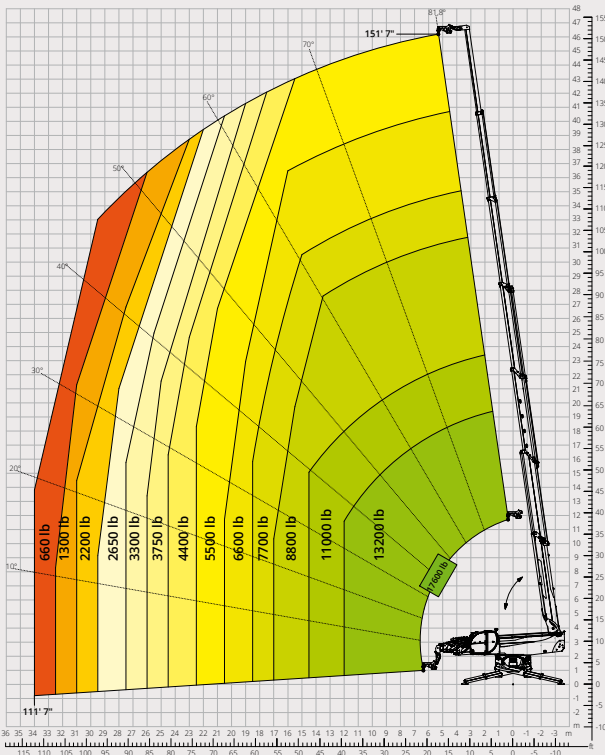
Load chart with
WINCH, 17,600 lb - M2

ATT - 02 - 006



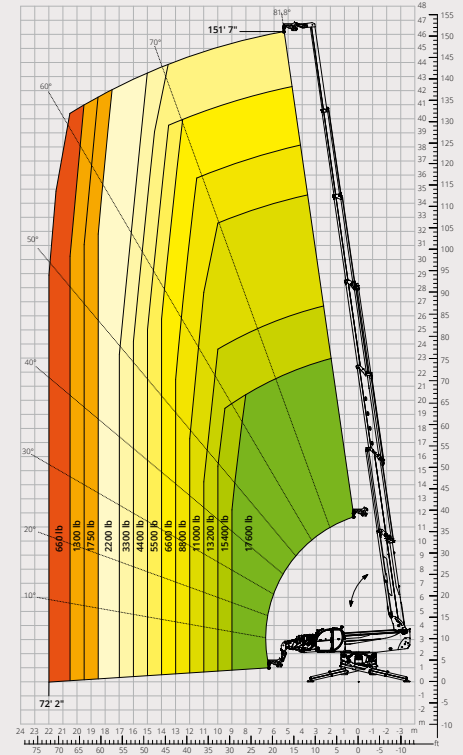
Load chart with
HOOK, 17,600 lb - M1

ATT - 05 - 003



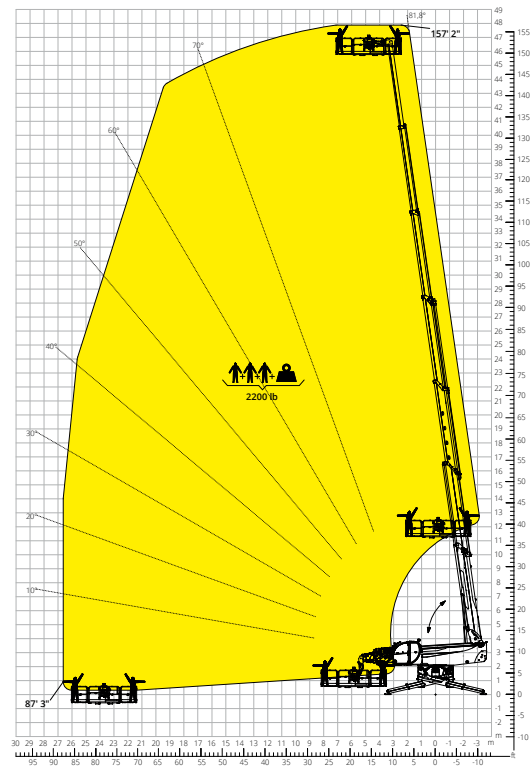
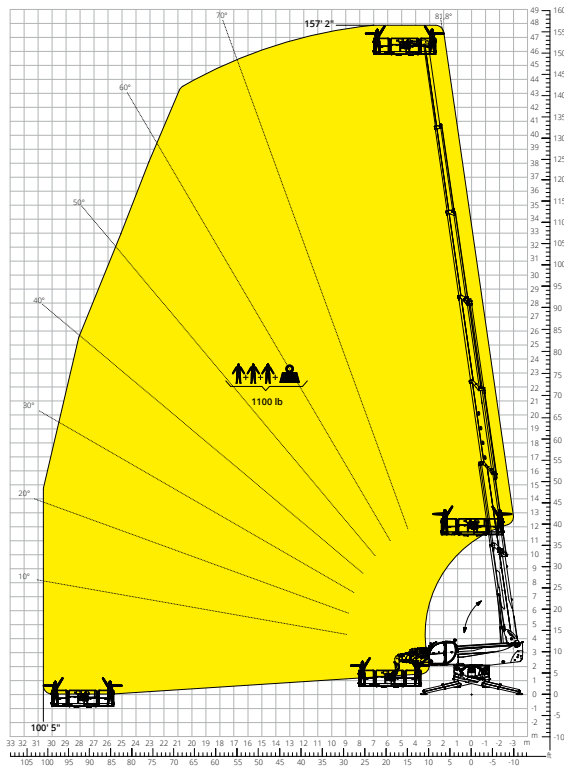
Load chart with
HOOK, 17,600 lb - M2

ATT - 05 - 003



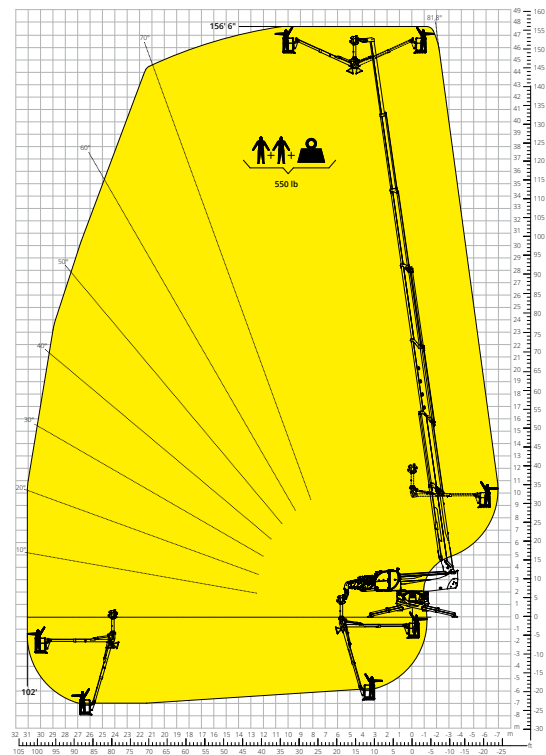
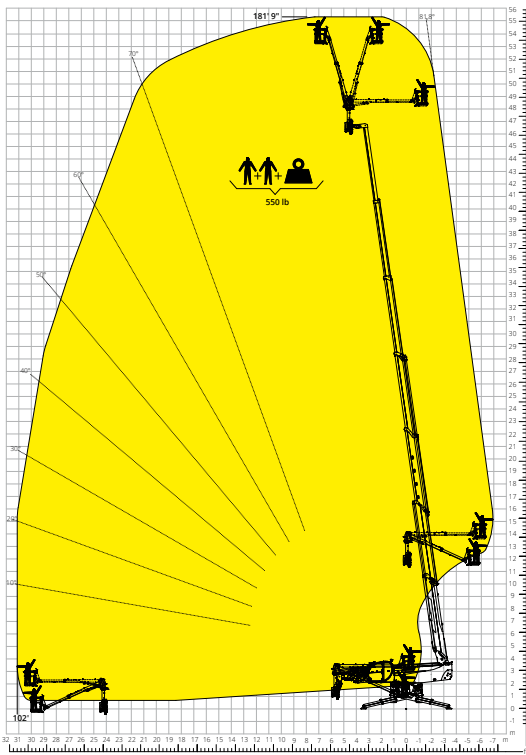
Load chart with
ROTATING EXTENDABLE PLATFORM, 1,100 lb
 ATT - 01 - 007

Load chart with
ROTATING EXTENDABLE PLATFORM, 2,200 lb
 ATT - 01 - 016



Load chart with
OVER-UNDER PLATFORM - POSITIVE
 ATT - 01 - 024

Load chart with
OVER-UNDER PLATFORM - NEGATIVE
 ATT - 01 - 024



Machine model	Rotating telescopic handler	RTH 8.46	
	Maximum lifting capacity	17,600 lb	
	Maximum lifting height	150' 7"	
	Maximum reach	105'	
	Rotation	360° (continuous)	
Stabilizers	Type	Telescopic scissor	
Engine	Model	"Volvo TAD 552 VE Stage IV"	"Volvo TAD 583 VE Stage V"
	Rated power	160 kW (218 hp) at 2,200 rpm	175 kW (238 hp) at 2,300 rpm
	Maximum torque	671 lb/ft at 1,450 rpm	719 lb/ft at 1,380 rpm
	Displacement	5.13 l	
	Cylinders	4 in line	
	Engine type	Turbocharged direct injection diesel	
	Cooling system	Water - intercooler	
Transmission	Type	Hydrostatic	
	Maximum pressure	480 bar	
	Gearbox	Dropbox, 2 speeds forward-reverse	
Axles and brakes	Type	Axles with planetary gearboxes	
	Front axle	Oscillating and steering with levelling, +/-8°	
	Rear axle	Oscillating and steering with hydraulic lock	
	No. of steering wheels	4WD - 4WS	
	Steering mode	Frontal/Concentric/Crab	
	Service brake	Wet multi-disk on front and rear axle	
	Parking brake	Hydraulic with negative action on front axle	
	Tyre sizes	17.5 R25	
Performance	Max. travel speed	16 mph	
	Maximum mass towable on hook	11,000 lb	
	Gradeability	35%	
	Turning radius (at forks)	NA	
Weights	Total unladen*	77,820 lb	
	Front axle unladen (boom retracted and lowered)*	34,060 lb	
	Rear axle unladen (boom retracted and lowered)*	43,760 lb	
Tank and system capacities	Diesel fuel	74 U.S. gal	74 U.S. gal
	AdBlue	-	10.56 U.S. gal
	Hydraulic fluid	71.1 U.S. gal	71.1 U.S. gal
	Engine oil	4.22 U.S. gal	4.22 U.S. gal
	Coolant	10.56 U.S. gal	10.56 U.S. gal
Hydraulic circuit for movements	Circuit type	Load sensing	
	Service pump	Variable displacement	
	Max. hydraulic flow rate	205 l/min	
	Max. boom head flow rate	75 l/min	
	Max. working pressure	350 bar	
	Distributor for boom and turret movements	SIL 2 electro-proportional valve	
	Movements control	Dual joystick with integrated manoeuvre enable	
Standards met	2006/42/EC: EU Machinery Directive		
	2016/1628: EU Regulation on the emissions of stage V engines		
	EN 1459-X: Relating to standards on the safety requirements for variable reach machines		
	EN 280/EN 280-1/EN 280-2: standards relating to mobile elevating work platforms (if available)		
	ROPS/level 2 FOPS: relating to the standards for protective structures		

The data given in this brochure are provided for information purposes and are subject to change without prior notice.

All images are purely guideline and might not give an exact representation of the product.

*the stated weight refers to the vehicle unladen with standard equipment and may vary depending on the chosen configuration.

The standard machine configuration includes:

CAB

- Premium tilting seat with air suspension and headrest
- Adjustable steering column
- Analogue joypad
- Adjustable sunblind
- Heating
- Air conditioning
- FM/AM radio with USB and Bluetooth connectivity
- Ambient LED lights
- USB Type-A and Type-C (5 V) inputs

REAL TIME INFORMATION

- Touchscreen, 12"
- MCTS – Magni Combi Touch System on-board software
- Automatic RFID tools recognition system
- LMI – Load Moment Indicator
- LLD – Live Load Diagram
- Onboard and remote integrated diagnostics
- Reversing camera with image integrated in the MCTS

TECHNICAL SPECIFICATIONS

- Q-Fit standard
- Provision for platform
- Advanced three-line CAN BUS system
- Automatic levelling system for outriggers
- Automatic front and rear wheel alignment
- High-precision turret rotation motor by Liebherr
- Automatic parking brake
- Mechanical battery cut-off in engine compartment
- Electrical system: 24 V – IP67

SERVICE

- MyMagni by Trackunit connectivity system (2 years)
- Warranty: 24 months/2,000 hours