

# TH

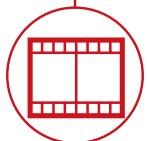
## 5,5.15



CONSTRUCTION



LOGISTICS



EVENTS AND  
FILM



TH  
5,5.15



**CAB**  
Best-in-class  
safety and visibility



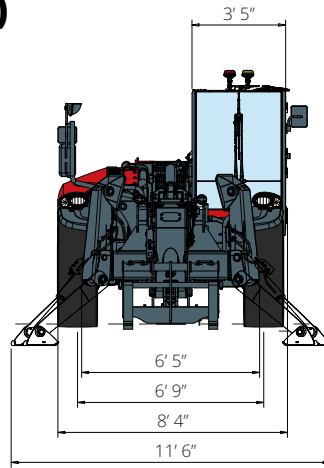
**PERFORMANCE**  
Unrivaled lifting  
performance



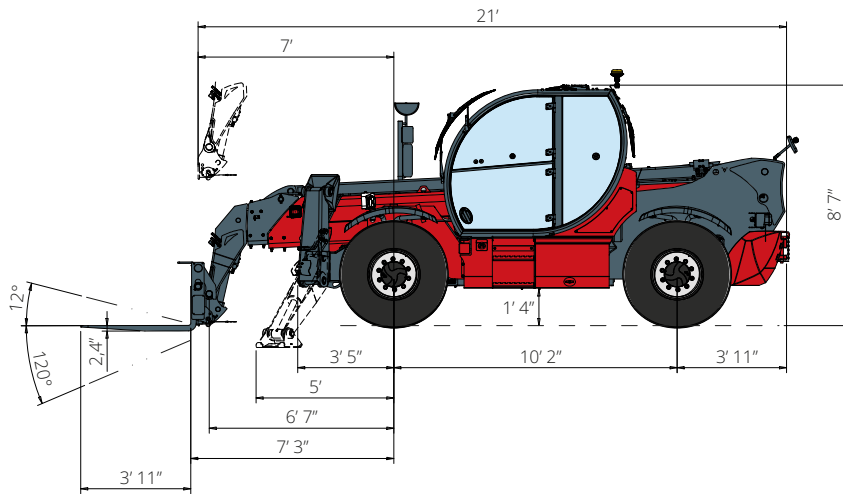
**LOAD LIVE DIAGRAM**  
Two real-time dynamic  
load charts

# TH 5,5.15

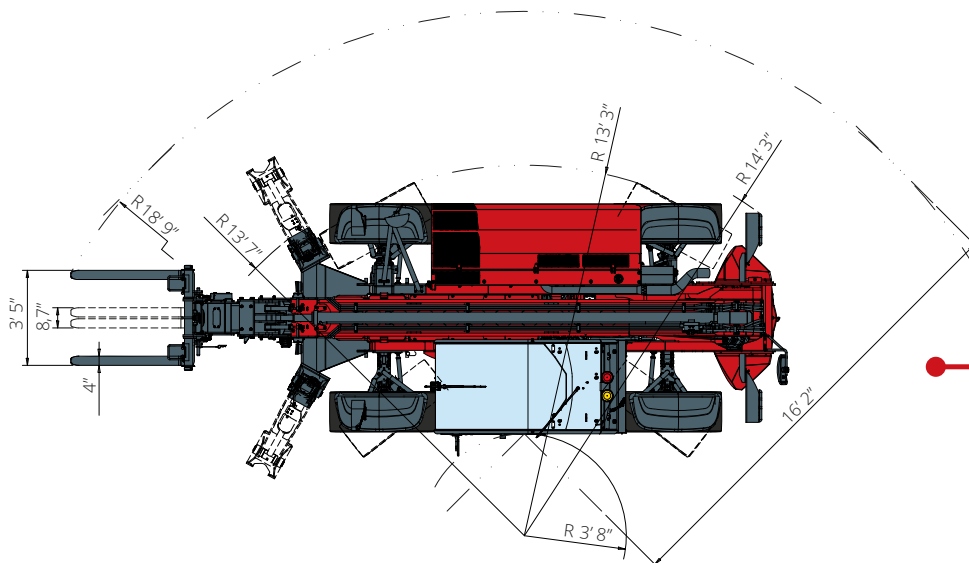
## DIMENSIONS (ft and in)



**FRONT**  
view



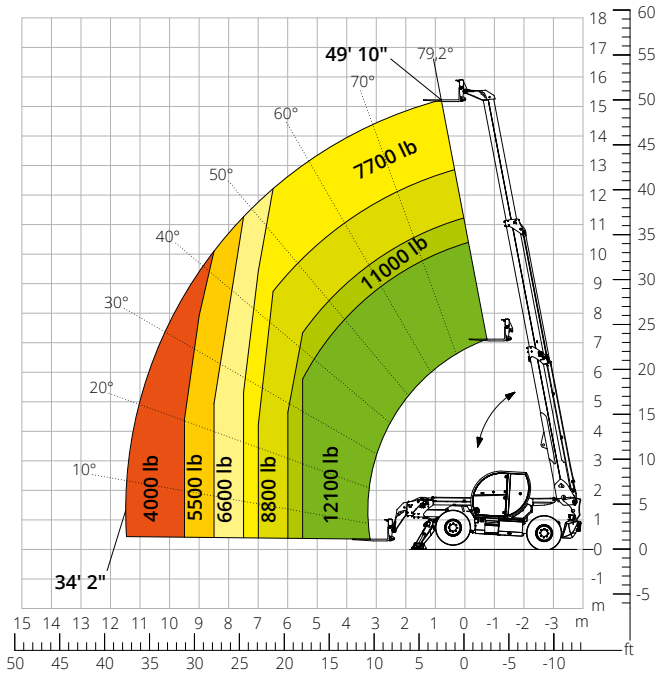
**SIDE**  
view



**TOP**  
view

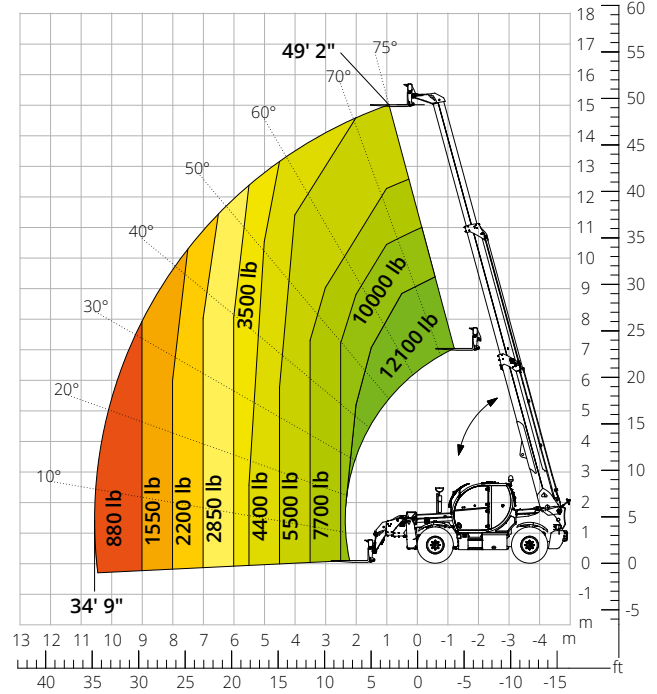
Load chart with  
**FULLY EXTENDED STABILIZERS**

ATT-03-040



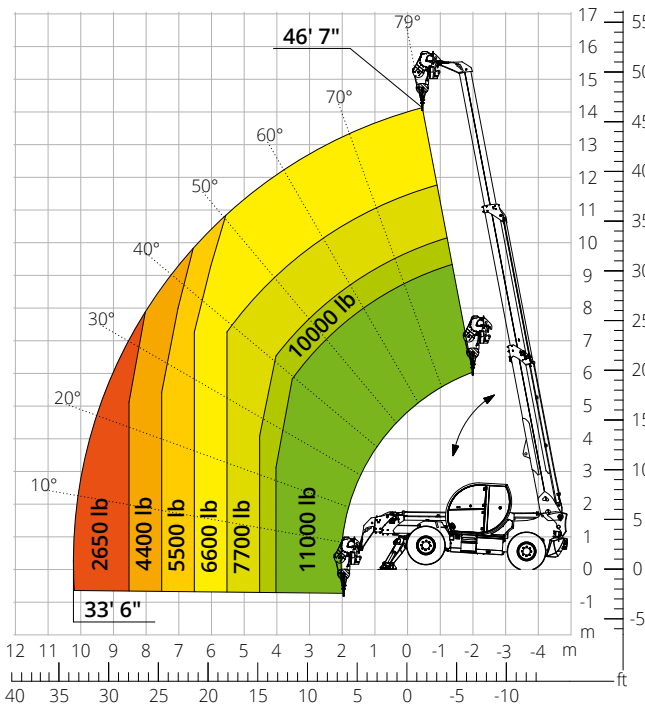
Load chart  
**FRONT ATTACHMENT ON TIRES**

ATT-03-040



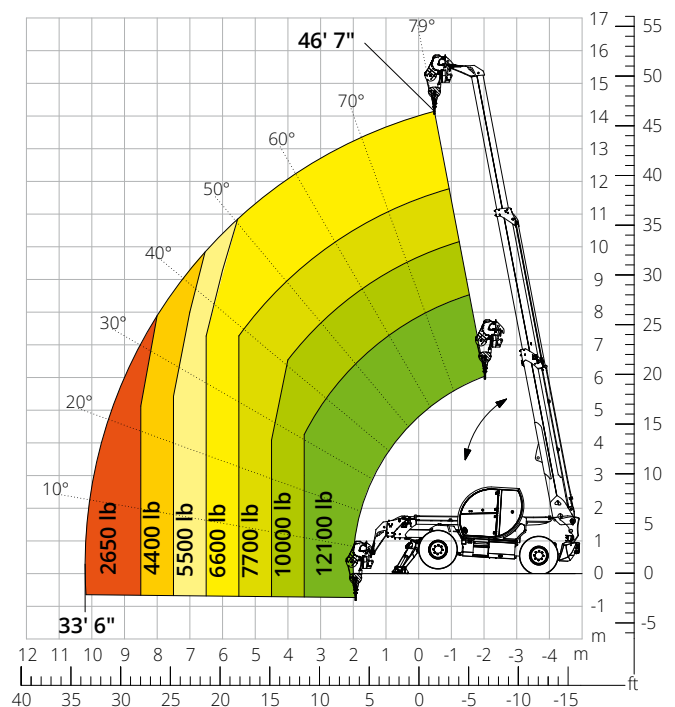
Load chart with  
**WINCH 11,000 lb**

ATT-02-019



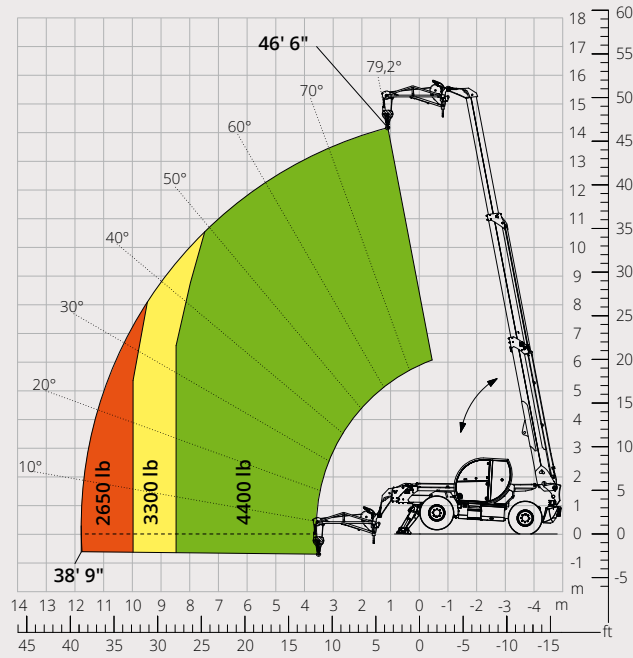
Load chart with  
**WINCH 13,200 lb**

ATT-02-004



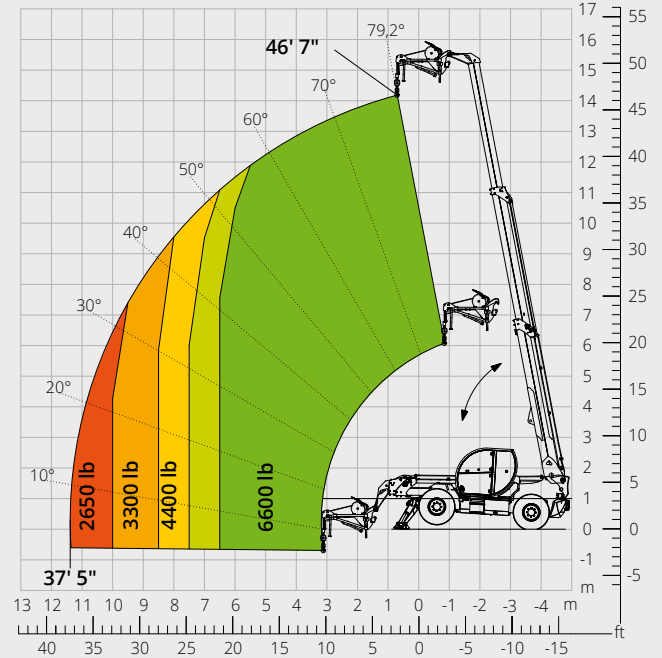
Load chart with  
**JIB WITH WINCH 4,400 lb**

ATT-04-015



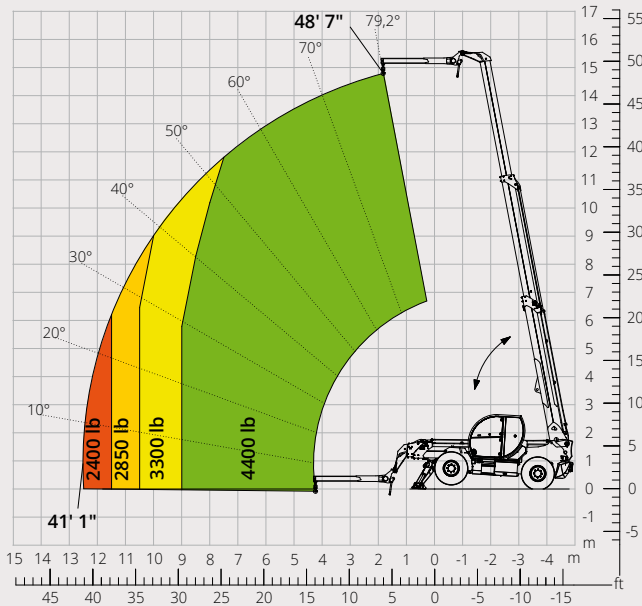
Load chart with  
**JIB WITH WINCH 6,600 lb**

ATT-04-019



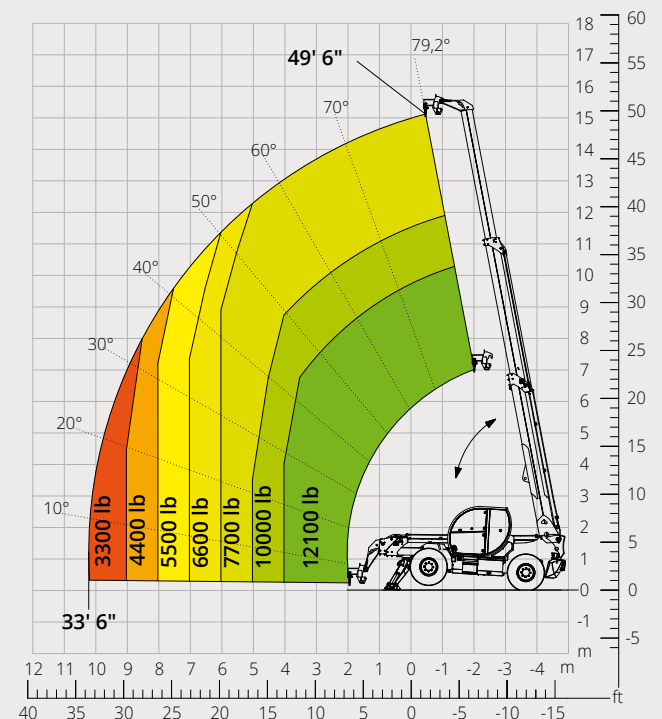
Load chart with  
**JIB 4,400 lb**

ATT-04-013



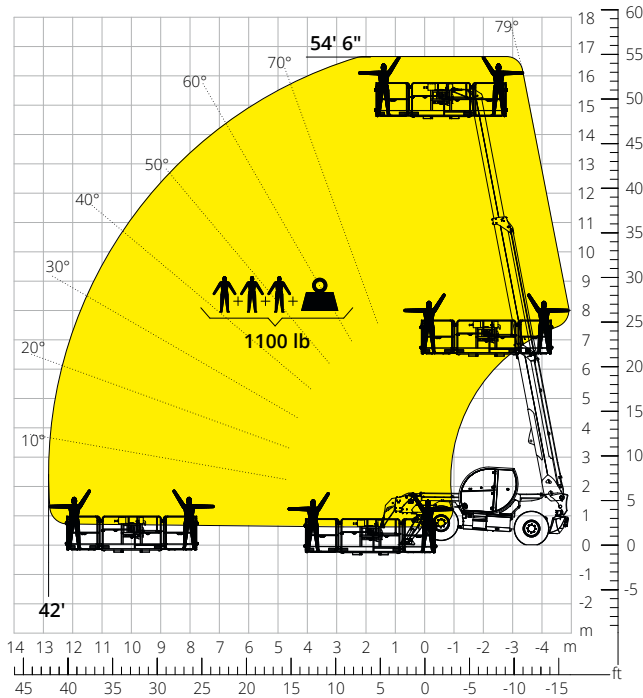
Load chart with  
**HOOK 13,200 lb**

ATT-05-001



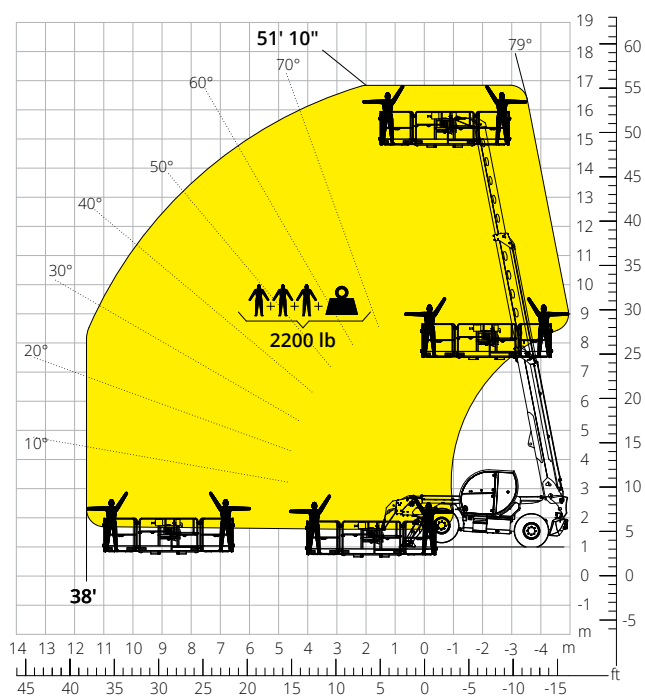
Load chart with  
**ROTATING EXTENDABLE PLATFORM 1,100 lb**

ATT - 01 - 007



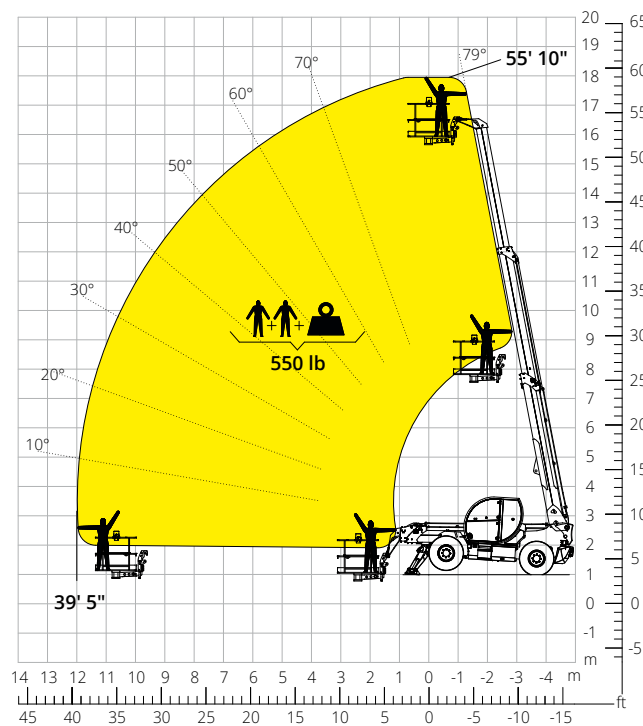
Load chart with  
**ROTATING EXTENDABLE PLATFORM 2,200 lb**

ATT - 01 - 016



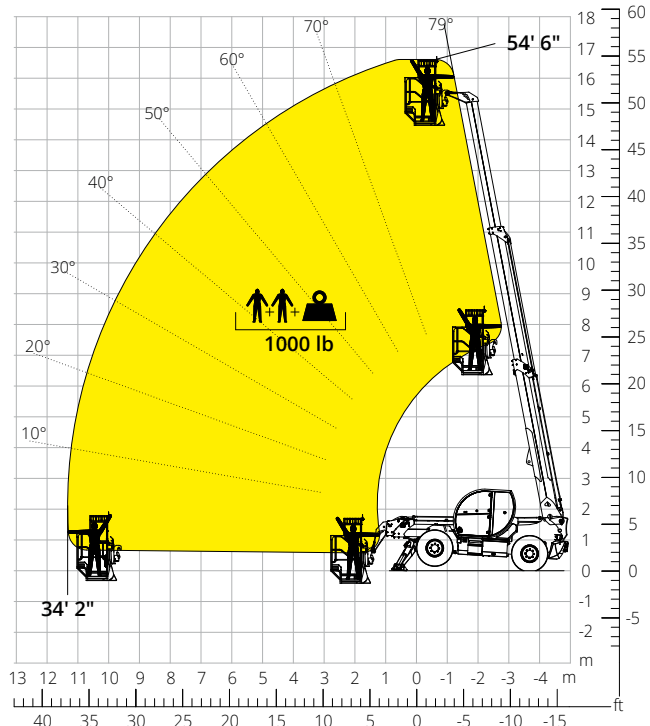
Load chart with  
**ROTATING NON-EXTENDABLE PLATFORM, 550 lb**

ATT - 01 - 003



Load chart with  
**PLATFORM, 1,000 lb, FOR MINES**

ATT - 01 - 027



<b>Machine model</b>	Telescopic handler	TH 5,5.15	
	Maximum lifting capacity	12,100 lb	
	Maximum lifting height	49' 10"	
	Maximum reach	34' 2"	
<b>Stabilizers</b>	Type	Pivoting	
<b>Engine</b>	Model	<b>Deutz TCD 3,6 L4 EDG Stage IIIA</b>	<b>Deutz TCD 3,6 L4 Stage V</b>
	Rated power	55.4 kW (75.3 hp) at 2,200 rpm	
	Maximum torque	288 lb/ft at 1,300 rpm	
	Displacement	3.6 l	
	Cylinders	4 in line	
	Engine configuration	Turbocharged direct injection diesel	
	Cooling system	Water – intercooler	
<b>Transmission</b>	Type	Hydrostatic	
	Maximum pressure	480 bar	
	Gear box	Dropbox, 2 speeds forward-reverse	
<b>Axles and brakes</b>	Type	Axles with planetary gearboxes	
	Front axle	Oscillating and steering with levelling, +/-8°	
	Rear axle	Oscillating and steering with hydraulic lock	
	No. of driving/steering wheels	4WD - 4WS	
	Steering mode	Frontal/Concentric/Crab	
	Service brake	Wet multi-disk on front and rear axle	
	Parking brake	Hydraulic with negative action on front axle	
<b>Performance</b>	Tyres dimensions	445/65 R22.5	
	Max. travel speed	16 mph	
	Maximum mass towable on hook	6,850 lb	
	Gradeability	38%	
<b>Weights</b>	Turning radius (end of forks)	18'10"	
	Total unladen*	28,600 lb	
	Front axle unladen (boom retracted and lowered)*	12,000 lb	
<b>Tank and system capacities</b>	Rear axle unladen (boom retracted and lowered)*	16,650 lb	
	Fuel tank	52.8 U.S. gal	
	AdBlue	-	
	Hydraulic oil tank	24.6 U.S. gal	
	Engine oil tank	2.4 U.S. gal	
<b>Hydraulic circuit for movements</b>	Cooling liquid	5.3 U.S. gal	
	Circuit type	Load sensing	
	Service pump	Variable displacement	
	Max. hydraulic flow rate	90 l/min	
	Max. boom head flow rate	75 l/min	
	Max. operating system pressure	350 bar	
<b>Standard met</b>	Controls for boom movements	SIL 2 electro-proportional valve	
	Movements control	1 joystick with integrated manoeuvre enable	
	2006/42/EC: EU Machinery Directive		
	2016/1628: EU Regulation on the emissions of stage V engines		
EN 1459-X: Relating to standards on the safety requirements for variable reach machines			
EN 280/EN 280-1/EN 280-2: standards relating to mobile elevating work platforms (if available)			
ROPS/level 2 FOPS: relating to the standards for protective structures			

The data given in this brochure are provided for information purposes and are subject to change without prior notice.  
All images are purely guideline and might not give an exact representation of the product.

\*the stated weight refers to the vehicle unladen with standard equipment and may vary depending on the chosen configuration.

## The standard machine configuration includes:

### CAB

- Comfort seat
- Adjustable steering column
- Analogue joypad
- Adjustable sunblind
- Heating
- Ambient LED lights
- USB Type-A and Type-C (5 V) inputs

### REAL TIME INFORMATION

- Touchscreen, 7"
- MCTS – Magni Combi Touch System on-board software
- Automatic RFID tools recognition system
- LMI – Load Moment Indicator
- LLD – Live Load Diagram
- Onboard and remote integrated diagnostics

### TECHNICAL SPECIFICATIONS

- Q-Fit standard
- Advanced three-line CAN BUS system
- Automatic front and rear wheel alignment
- Automatic parking brake
- Mechanical battery cut-off in engine compartment
- Electrical system: 24 V – IP67

### SERVICE

- Warranty: 24 months/2,000 hours