



CONSTRUCTION



LOGISTICS



MINING &
QUARRYING



OIL



TH

7.10

TH
7.10



CAB

Best-in-class
safety and visibility



PERFORMANCE

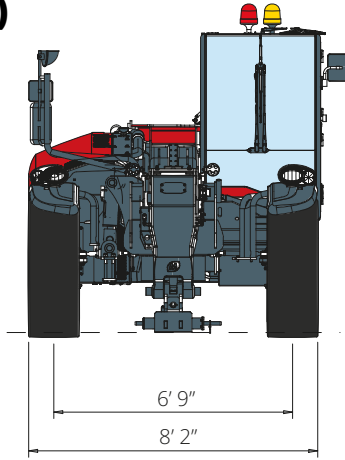
Unrivaled lifting
performance



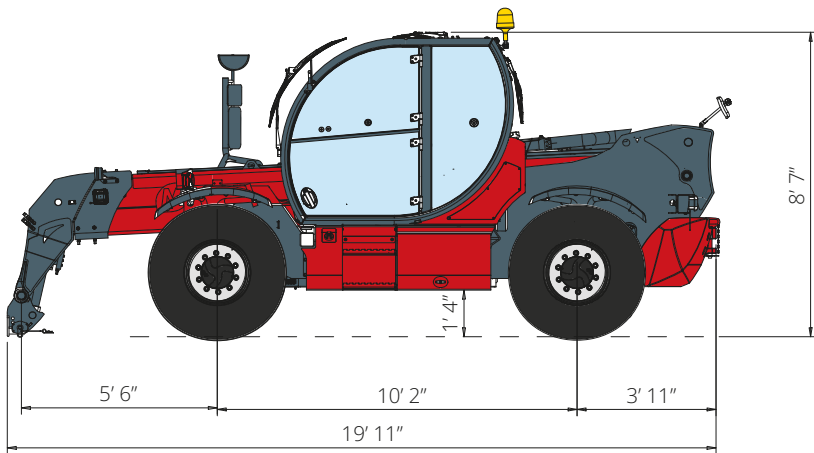
LOAD LIVE DIAGRAM

Two real-time dynamic
load charts

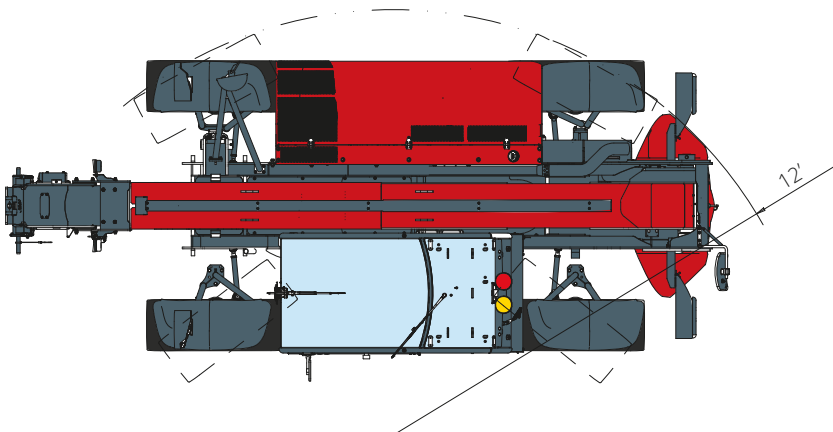
DIMENSIONS (ft and in)



FRONT
view

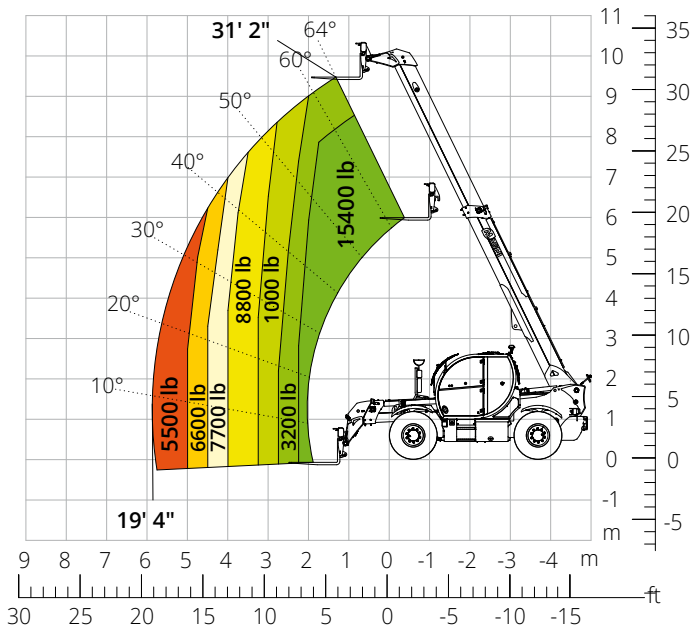


SIDE
view

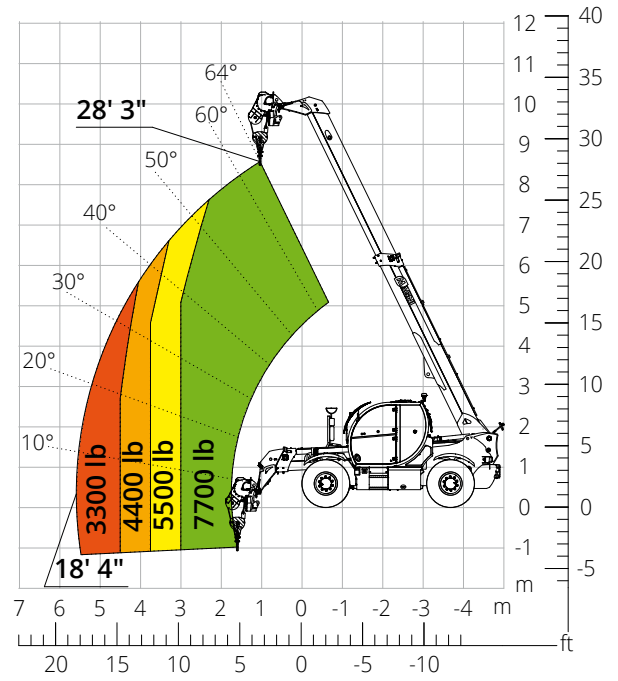


TOP
view

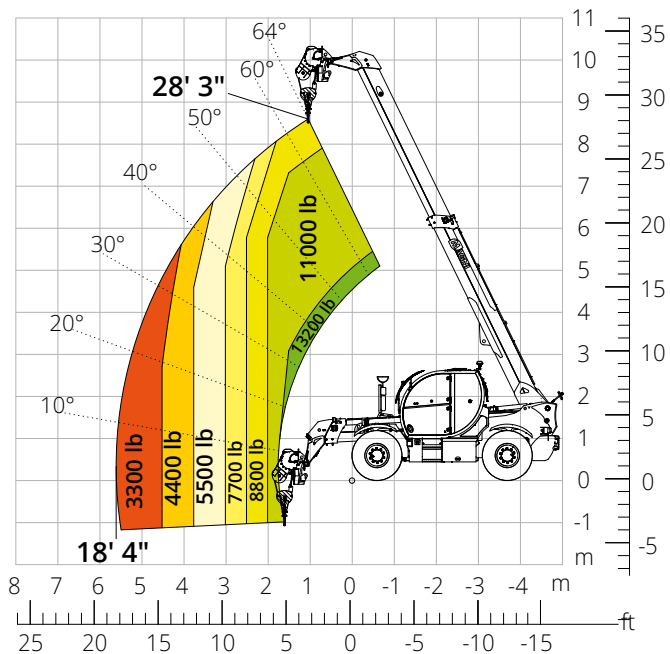
Load chart
FRONT ATTACHMENT ON TIRES
 ATT - 03 - 011



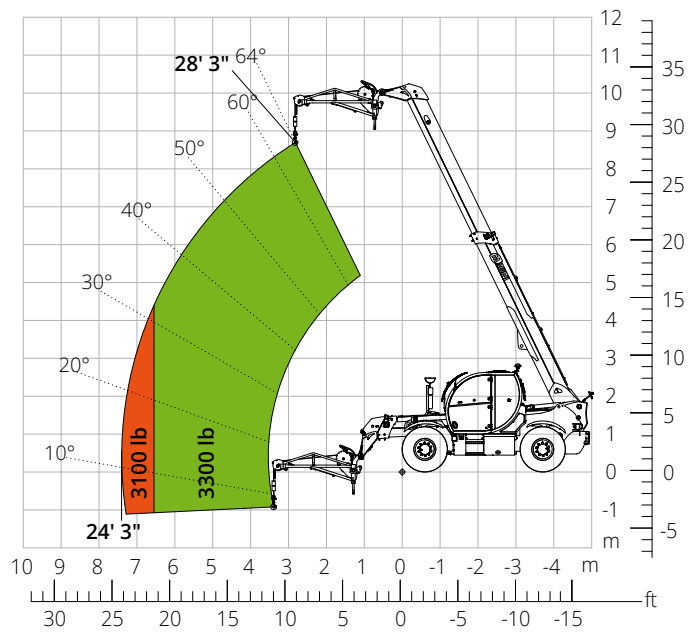
Load chart with
WINCH 7,700 lb
 ATT - 02 - 002



Load chart with
WINCH 13,200 lb
 ATT - 02 - 004

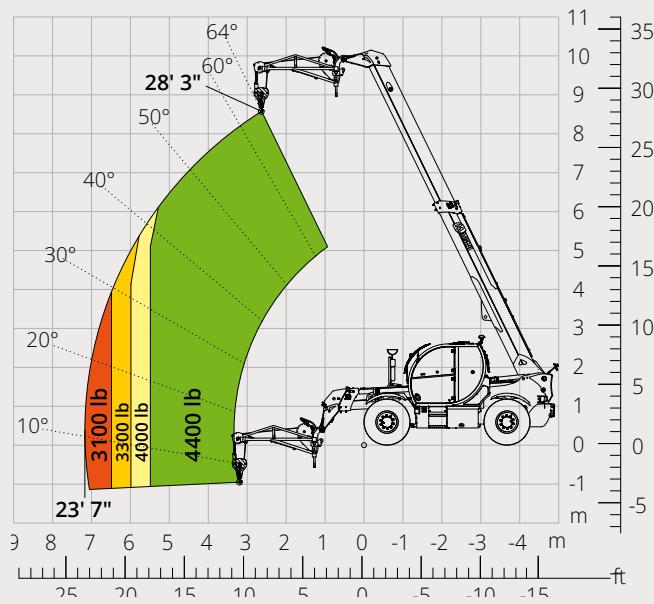


Load chart with
JIB WITH WINCH 3,300 lb
 ATT - 04 - 011



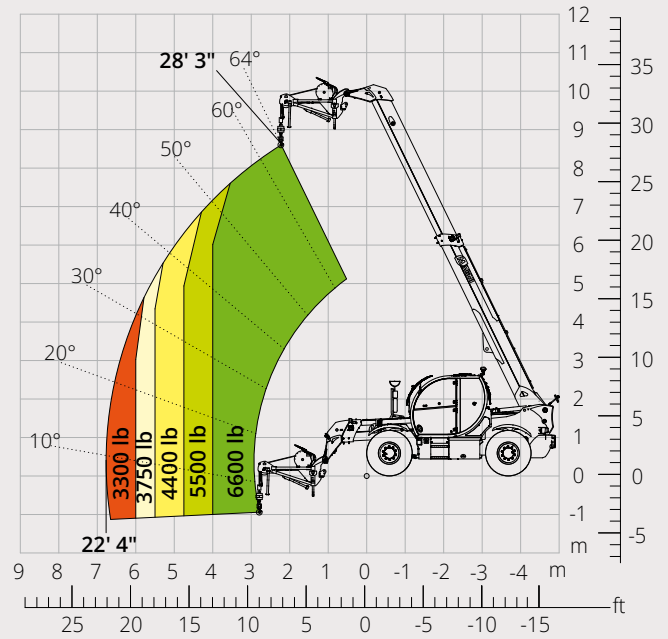
Load chart with
JIB WITH WINCH 4,400 lb

ATT - 04 - 015



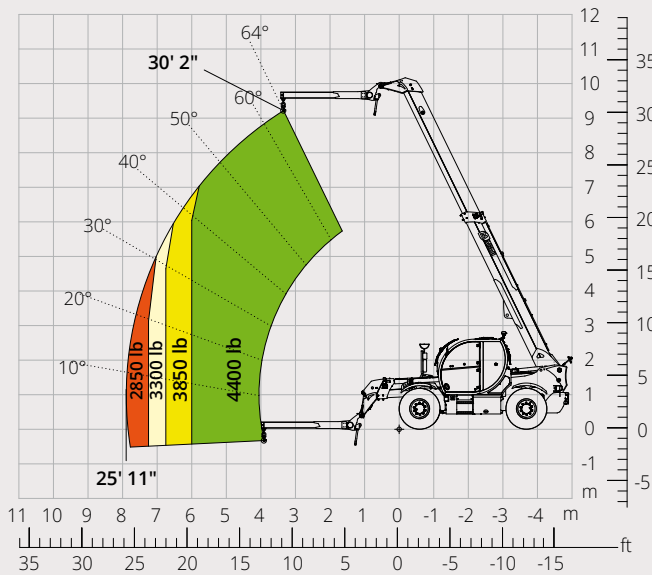
Load chart with
JIB WITH WINCH 6,600 lb

ATT - 04 - 019



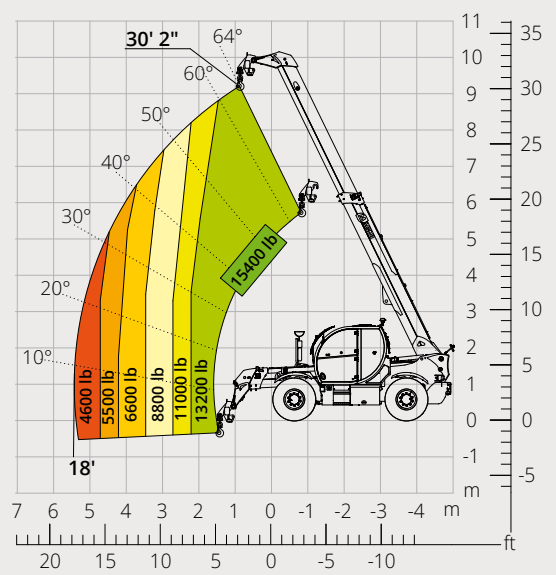
Load chart with
JIB 4,400 lb

ATT - 04 - 013



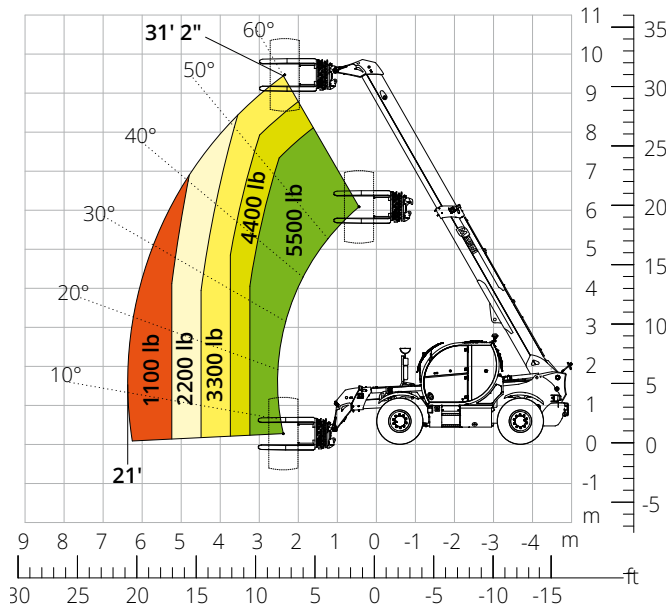
Load chart with
HOOK, 15,400 lb

ATT - 05 - 002



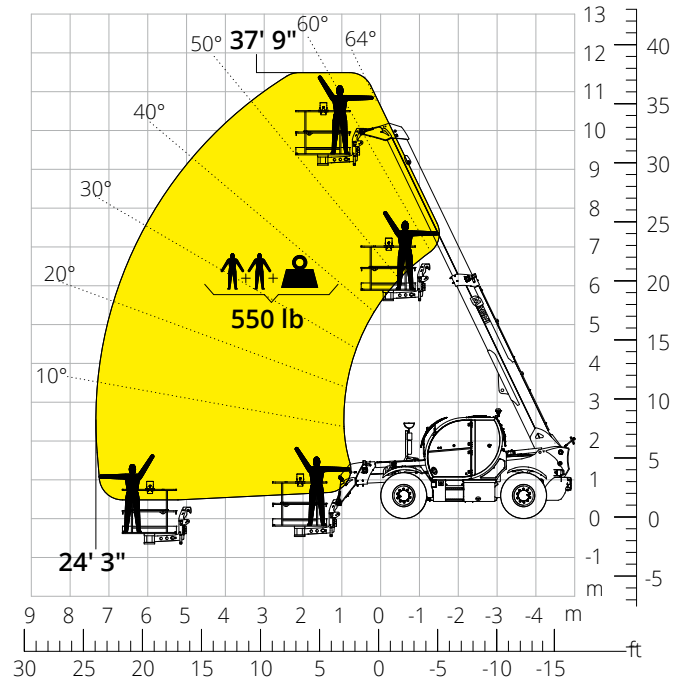
Load chart with
TIRE HANDLER, 5,500 lb

ATT - 06 - 003



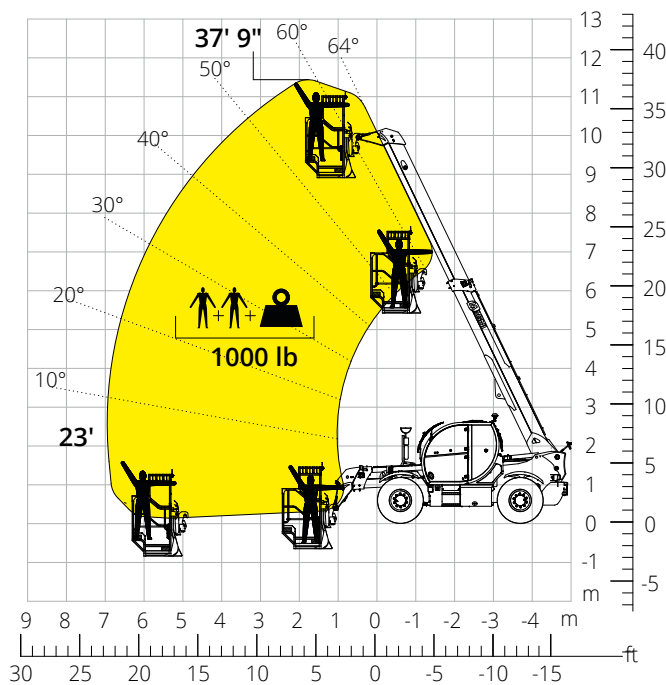
Load chart with
FIXED EXTENDABLE PLATFORM, 500 lb

ATT - 01 - 003



Load chart with
PLATFORM, 1,000 lb, FOR MINES

ATT - 01 - 027



Machine model	Telescopic handler	TH 7.10	
	Maximum lifting capacity	15,400 lb	
	Maximum lifting height	31' 2"	
	Maximum reach	19' 4"	
Stabilizers	Type	-	
Engine	Model	Deutz TCD 3,6 L4 EDG Stage IIIA	Deutz TCD 3,6 L4 Stage V
	Rated power	55.4 kW (75.3 hp) at 2,200 rpm	
	Maximum torque	288 lb/ft at 1,300 rpm	299 lb/ft at 1,300 rpm
	Displacement	3.6 l	
	Cylinders	4 in line	
	Engine configuration	Turbocharged direct injection diesel	
	Cooling system	Water – intercooler	
Transmission	Type	Hydrostatic	
	Maximum pressure	500 bar	
	Gear box	Dropbox, 2 speeds forward-reverse	
Axles and brakes	Type	Axles with planetary gearboxes	
	Front axle	Oscillating and steering with levelling, +/-8°	
	Rear axle	Oscillating and steering with hydraulic lock	
	No. of driving/steering wheels	4WD - 4WS	
	Steering mode	Frontal/Concentric/Crab	
	Service brake	Wet multi-disk on front and rear axle	
	Parking brake	Hydraulic with negative action on front axle	
Performance	Tyres dimensions	445/65 R22.5	
	Max. travel speed	16 mph	
	Gradeability (unladen)	59%	
	Turning radius (end of forks)	NA	
Weights	Total unladen*	26,235 lb	
	Front axle unladen (boom retracted and lowered)*	8,598 lb	
	Rear axle unladen (boom retracted and lowered)*	17,600 lb	
Tank and system capacities	Fuel tank	38.3 U.S. gal	
	AdBlue	-	
	Hydraulic oil tank	24.6 U.S. gal	
	Engine oil tank	2.4 U.S. gal	
	Cooling liquid	5.3 U.S. gal	
Hydraulic circuit for movements	Circuit type	Load sensing	
	Service pump	Variable displacement	
	Max. hydraulic flow rate	90 l/min	
	Max. boom head flow rate	75 l/min	
	Max. operating system pressure	350 bar	
	Controls for boom movements	SIL 2 electro-proportional valve	
	Movements control	1 joystick with integrated manoeuvre enable	
Standard met	2006/42/EC: EU Machinery Directive		
	2016/1628: EU Regulation on the emissions of stage V engines		
	EN 1459-X: Relating to standards on the safety requirements for variable reach machines		
	EN 280/EN 280-1/EN 280-2: standards relating to mobile elevating work platforms (if available)		
ROPS/level 2 FOPS: relating to the standards for protective structures			

*The data given in this brochure are provided for information purposes and are subject to change without prior notice.
All images are purely guideline and might not give an exact representation of the product.
the stated weight refers to the vehicle unladen with standard equipment and may vary depending on the chosen configuration.

The standard machine configuration includes:

CAB

- Comfort seat with adjustable headrest
- Adjustable steering column
- Analogue joypad
- Adjustable sunblind
- Heating
- Ambient LED lights
- USB Type-A and Type-C (5 V) inputs

REAL TIME INFORMATION

- Touchscreen, 7"
- MCTS – Magni Combi Touch System on-board software
- Automatic RFID tools recognition system
- LMI – Load Moment Indicator
- LLD – Live Load Diagram
- Onboard and remote integrated diagnostics

TECHNICAL SPECIFICATIONS

- Q-Fit standard
- Advanced three-line CAN BUS system
- Automatic front and rear wheel alignment
- Automatic parking brake
- Mechanical battery cut-off in engine compartment
- Electrical system: 24 V – IP67

SERVICE

- Warranty: 24 months/2,000 hours