

HTH 10.10



MINING &
QUARRYING



HEAVY
LOGISTICS



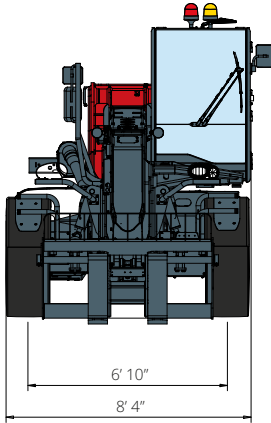
DEFENSE



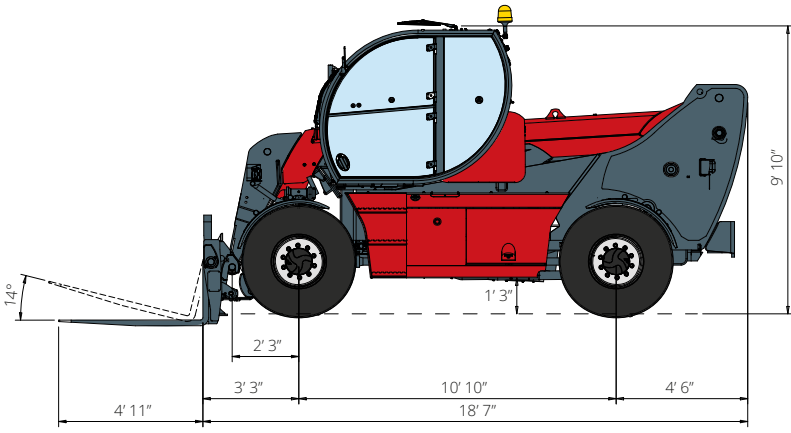
HTH

10.10

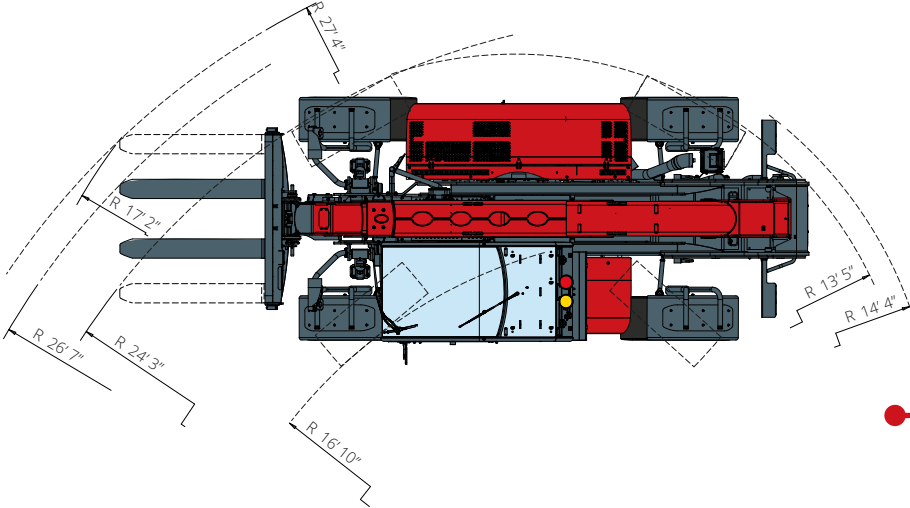
DIMENSIONS (ft and in)



FRONT
view

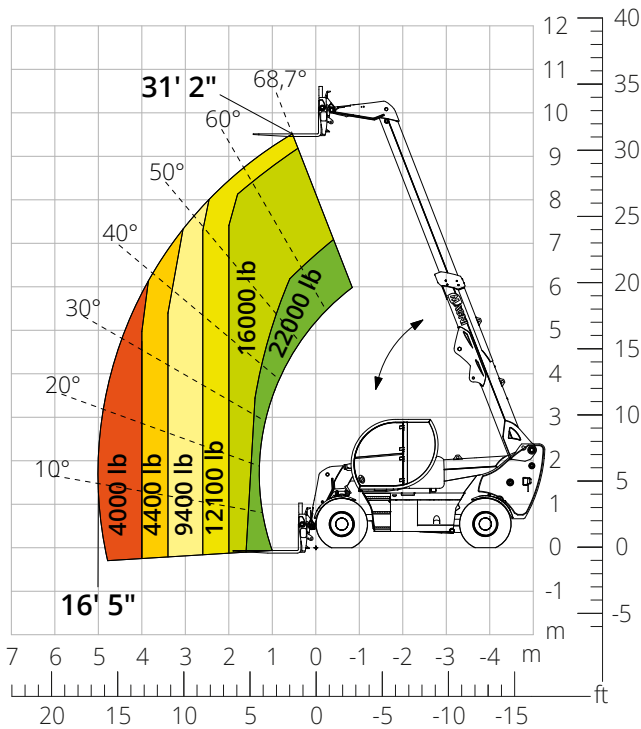


SIDE
view

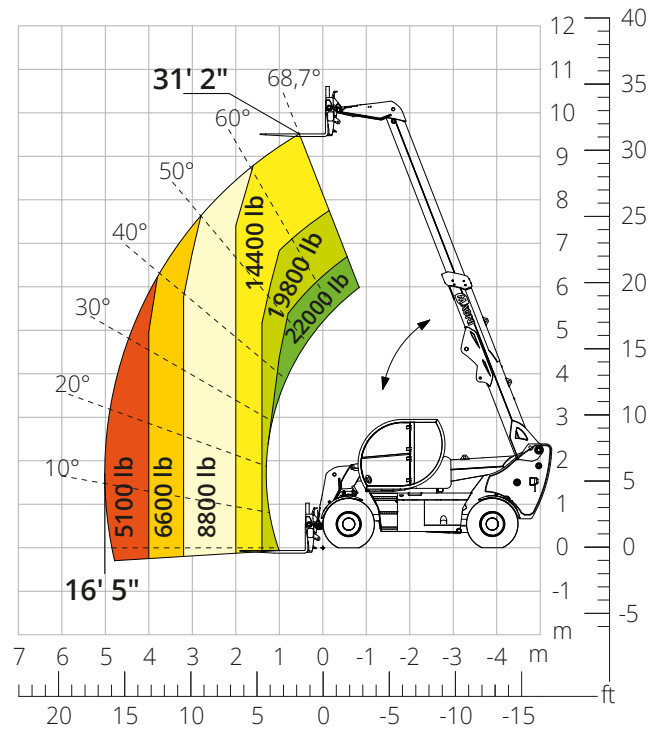


TOP
view

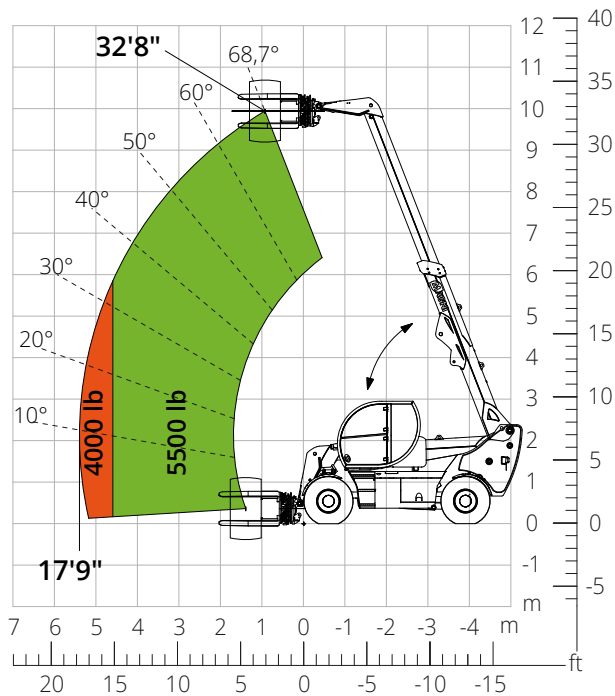
Load chart
FRONT ATTACHMENT ON TIRES (WORLD NOT AUS)
 ATT-03-018/ ATT-03-019



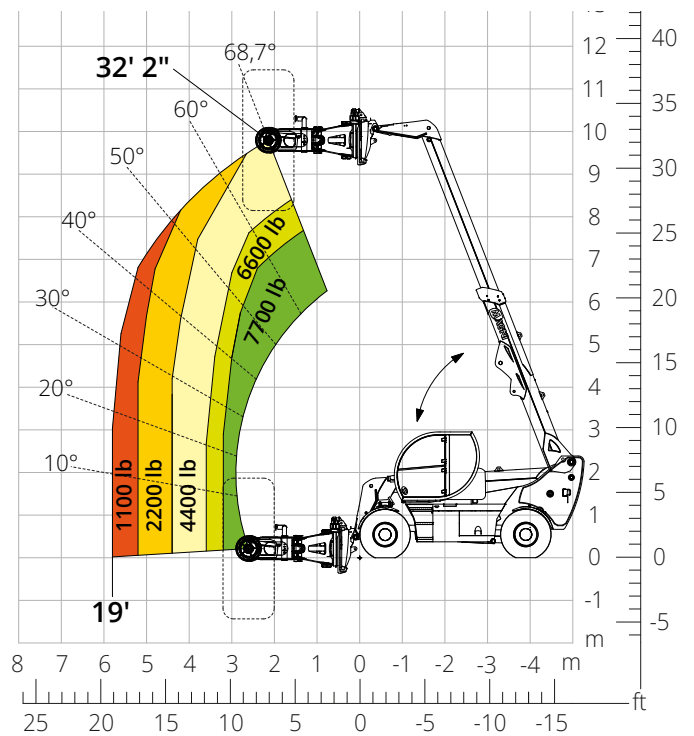
Load chart
FRONT ATTACHMENT ON TIRES (AUS)
 ATT-03-018/ ATT-03-019



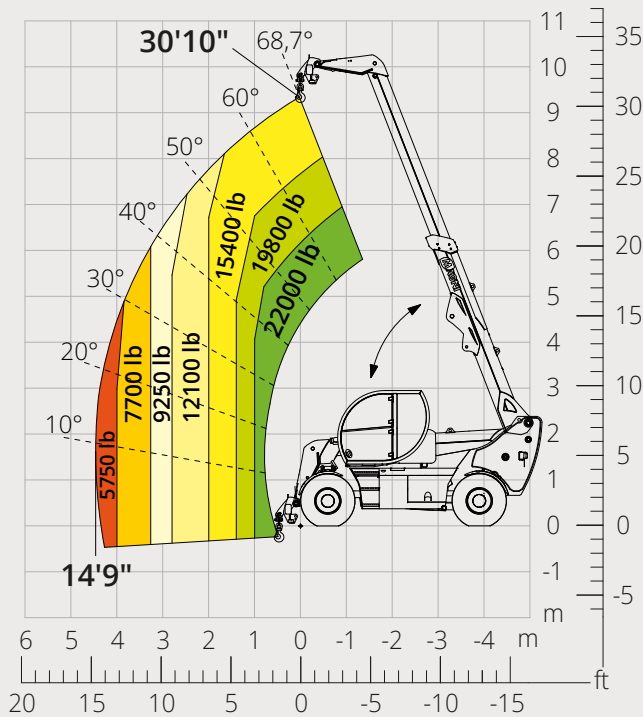
Load chart with
TIRE HANDLER, 5,500 lb
 ATT-06-003



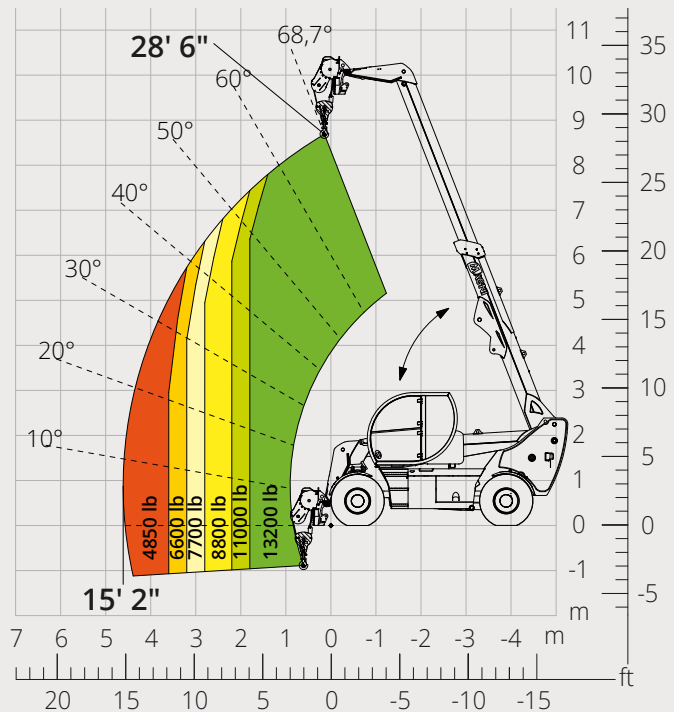
Load chart with
TIRE HANDLER, 7,716 lb
 ATT-06-004



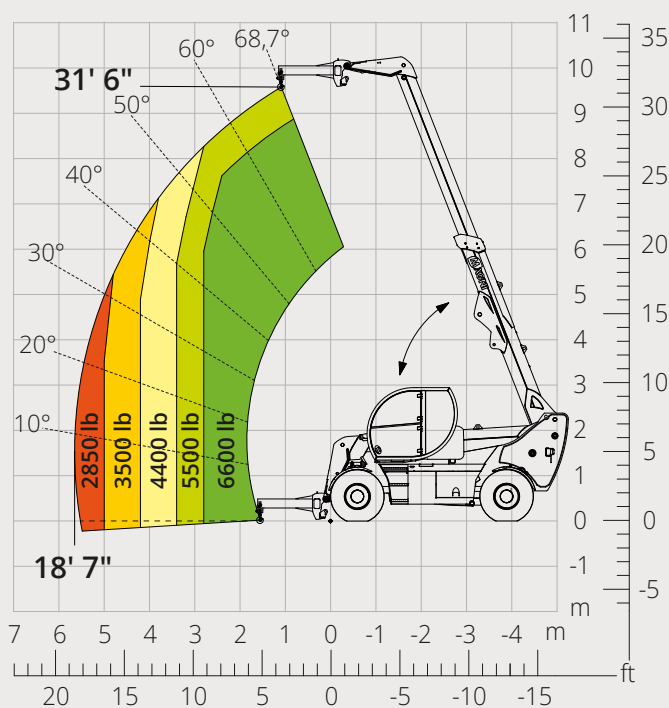
Load chart with
HOOK, 22,000 lb (WORLD NOT AUS)
ATT-05-005



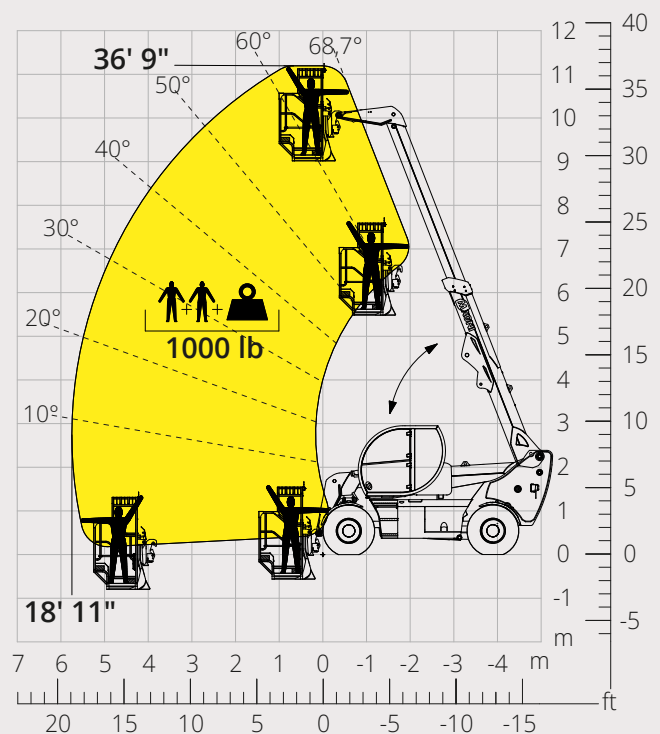
Load chart with
WINCH, 13,200 lb
ATT-02-004



Load chart with
JIB, 6,600 lb
ATT-04-019



Load chart with
PLATFORM, 1000 lb, FOR MINES
ATT-01-027



Machine model	Telescopic handler	HTH 10.10	
	Maximum lifting capacity	22,000 lb	
	Maximum lifting height	31'2"	
	Maximum reach	16'5"	
Engine	Model	Deutz TCD 3,6 L4-Stage V	Deutz TCD 3,6 L4-Stage IIIA
	Rated power	100 kW (136 hp) at 2,200 rpm	
	Maximum torque	369 lb/ft at 1.600 rpm	
	Displacement	3.62 l	
	Cylinders	4 in line	
	Engine type	Turbocharged direct injection common rail diesel	
	Cooling system	Water - intercooler	
	Transmission	Type	Hydrostatic
Maximum pressure		450 bar	
Gearbox		Dropbox, 2 speeds forward-reverse	
Axles and brakes	Type	Heavy-duty with planetary gearboxes	
	Front axle	Steering and levelling	
	Rear axle	Steering and oscillating	
	No. of driving - steering wheels	4WD - 4WS	
	Steering mode	Frontal/Concentric/Crab	
	Service brake	Servo-assisted pedal, acting on front and rear wheels	
	Parking brake	Hydraulic with negative action on front and rear axles	
	Tire sizes	18 R22.5	
Performance	Max. travel speed	25 mph	
	Gradeability (unladen)	63%	
	Turning radius	13'5"	
Weights	Total unladen*	29,100 lb	
	Front axle unladen (boom retracted and lowered)*	10,400 lb	
	Rear axle unladen (boom retracted and lowered)*	18,700 lb	
Tank and system capacities	Diesel fuel	51.5 U.S. gal	
	AdBlue	2.65 U.S. gal	
	Hydraulic fluid	50.2 U.S. gal	
	Engine oil	2.3 U.S. gal	
	Coolant	5.3 U.S. gal	
Hydraulic circuit for movements	Circuit type	Load sensing	
	Service pump	Variable displacement	
	Max. hydraulic flow rate	156 l/min	
	Max. boom head flow rate	75 l/min	
	Max. working pressure	400 bar	
	Distributor for boom movements	Proportional hydraulic distributor	
	Movements control	Multifunction electro-proportional joystick	
Standards met	2006/42/EC: EU Machinery Directive		
	2016/1628: EU Regulation on the emissions of stage V engines		
	EN 1459-X: Relating to standards on the safety requirements for variable reach machines		
	ROPS/level 2 FOPS: relating to the standards for protective structures		

The data given in this brochure are provided for information purposes and are subject to change without prior notice.
All images are purely guideline and might not give an exact representation of the product.

*the stated weight refers to the vehicle unladen with standard equipment and may vary depending on the chosen configuration.

The standard machine configuration includes:

CAB

- Comfort seat
- Adjustable steering column
- Analogue joypad
- Heating
- Air conditioning
- FM/AM radio with USB and Bluetooth connectivity
- USB Type-A (5 V) inputs

REAL TIME INFORMATION

- Touchscreen, 7"
- MCTS – Magni Combi Touch System on-board software
- Automatic RFID tools recognition system
- LMI – Load Moment Indicator
- Onboard and remote integrated diagnostics

TECHNICAL SPECIFICATIONS

- Q-Fit standard
- Provision for platform
- Two-line CAN BUS system
- Automatic front and rear wheel alignment
- Automatic parking brake
- Mechanical battery cut-off in engine compartment
- Electrical system: 24 V – IP67

SERVICE

- MyMagni by Trackunit connectivity system (2 years)
- Warranty: 24 months/2,000 hours