

# HTH 20.10



MINING &  
QUARRYING



HEAVY  
LOGISTICS

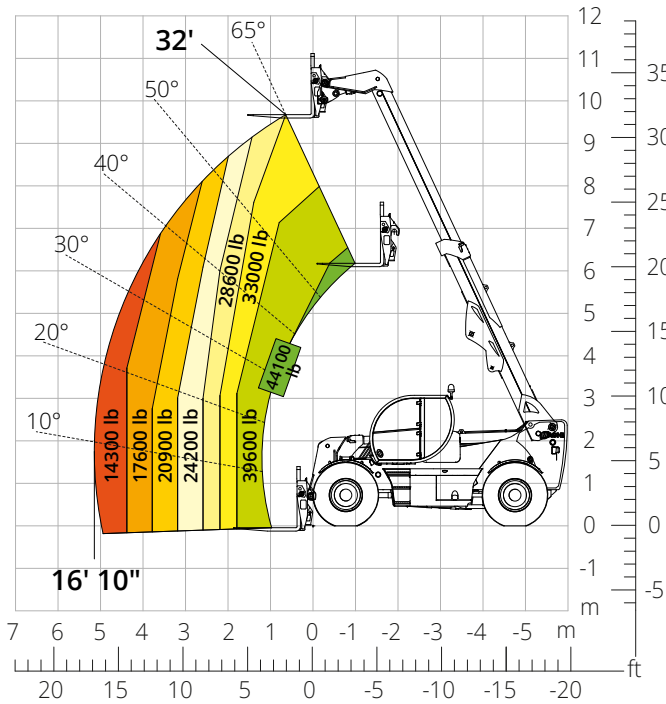


DEFENSE



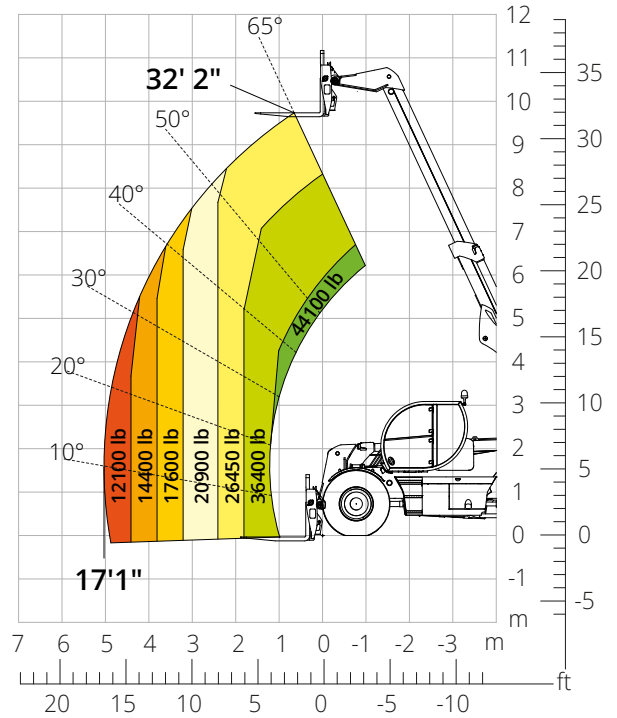
Load chart  
**FRONT ATTACHMENT ON TIRES (WORLD NOT AUS)**

ATT-03-026



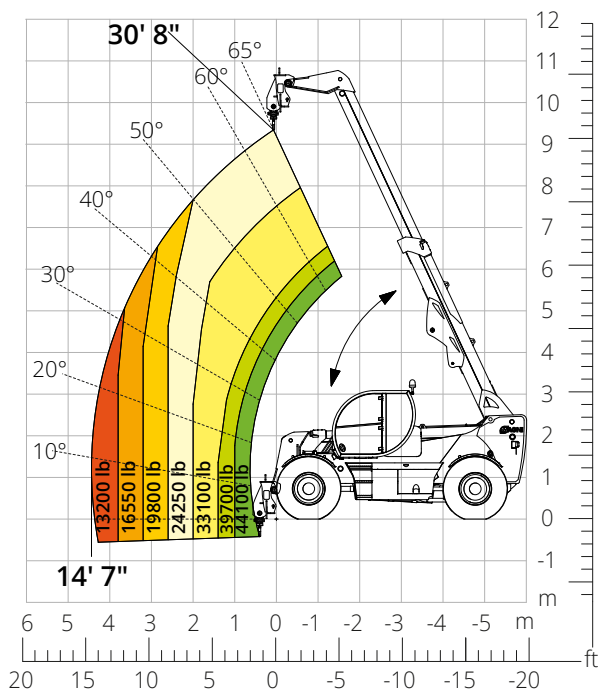
Load chart  
**FRONT ATTACHMENT ON TIRES (AUS)**

ATT-03-026



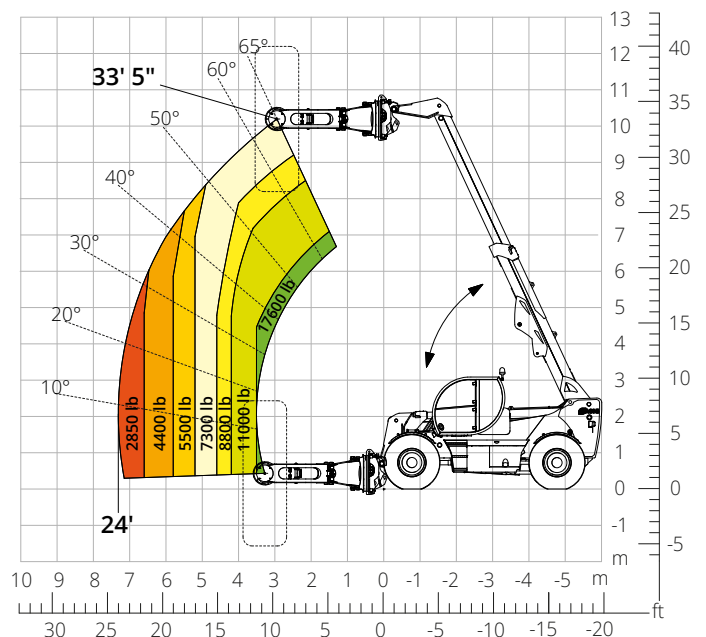
Load chart with  
**HOOK, 44,100 lb**

ATT-05-008



Load chart with  
**TIRE HANDLER, 17,600 lb**

ATT-06-006



<b>Machine model</b>	Telescopic handler	HTH 20.10	
	Maximum lifting capacity	44,100 lb	
	Maximum lifting height	31'8"	
	Maximum reach	16' 10"	
<b>Engine</b>	Model	<b>Volvo TAD582 VE-Stage V</b>	<b>Volvo TAD552 VE-Stage IIIA</b>
	Rated power	160 kW (218 hp) at 2,300 rpm	
	Maximum torque	682 lb/ft at 1,380 rpm	
	Displacement	5.13 l	
	Cylinders	4 in line	
	Engine type	Turbocharged direct injection common rail diesel	
	Cooling system	Water - intercooler	
<b>Transmission</b>	Type	Hydrostatic	
	Maximum pressure	450 bar	
	Gearbox	Dropbox, 2 speeds forward-reverse	
<b>Axles and brakes</b>	Type	Heavy-duty with planetary gearboxes	
	Front axle	Steering and levelling	
	Rear axle	Steering and oscillating	
	No. of driving - steering wheels	4WD - 4WS	
	Steering mode	Frontal/Concentric/Crab	
	Service brake	Servo-assisted pedal, acting on front and rear wheels	
	Parking brake	Hydraulic with negative action on front and rear axles	
	Tire sizes	16,00- R 25	
<b>Performance</b>	Max. travel speed	15.5 mph	
	Gradeability (unladen)	64%	
	Turning radius	18'9"	
<b>Weights</b>	Total unladen*	52,900 lb	
	Front axle unladen (boom retracted and lowered)*	17,600 lb	
	Rear axle unladen (boom retracted and lowered)*	35,300 lb	
<b>Tank and system capacities</b>	Diesel fuel	52.8 U.S. gal	
	AdBlue	10.6 U.S. gal	
	Hydraulic fluid	55.48 U.S. gal	
	Engine oil	4.2 U.S. gal	
<b>Hydraulic circuit for movements</b>	Coolant	12.4 U.S. gal	
	Circuit type	Load sensing	
	Service pump	Variable displacement	
	Max. hydraulic flow rate	165 l/min	
	Max. boom head flow rate	100 l/min	
	Max. working pressure	350 bar	
	Distributor for boom movements	Proportional hydraulic distributor	
Movements control	Multifunction electro-proportional joystick		
<b>Standards met</b>	2006/42/EC: EU Machinery Directive 2016/1628: EU Regulation on the emissions of stage V engines EN 1459-X: Relating to standards on the safety requirements for variable reach machines ROPS/level 2 FOPS: relating to the standards for protective structures		

*The data given in this brochure are provided for information purposes and are subject to change without prior notice.*

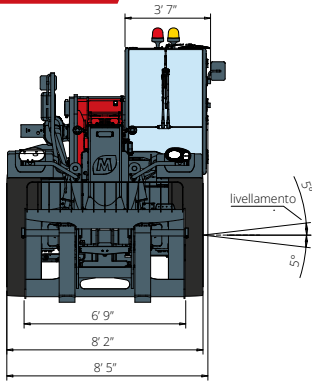
*All images are purely guideline and might not give an exact representation of the product.*

*\*the stated weight refers to the vehicle unladen with standard equipment and may vary depending on the chosen configuration.*

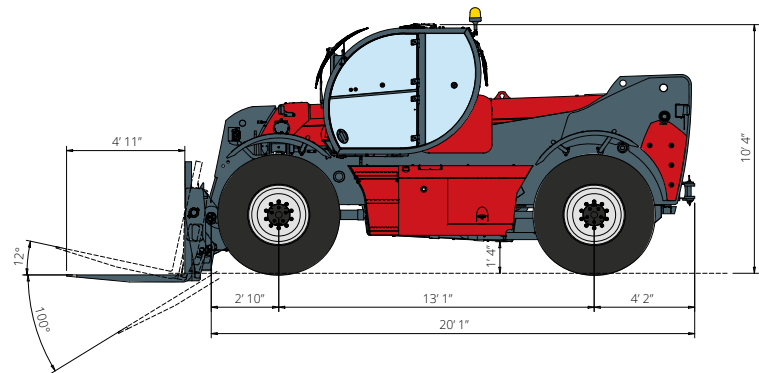
# HTH

## 20.10

### DIMENSIONS (ft and in)

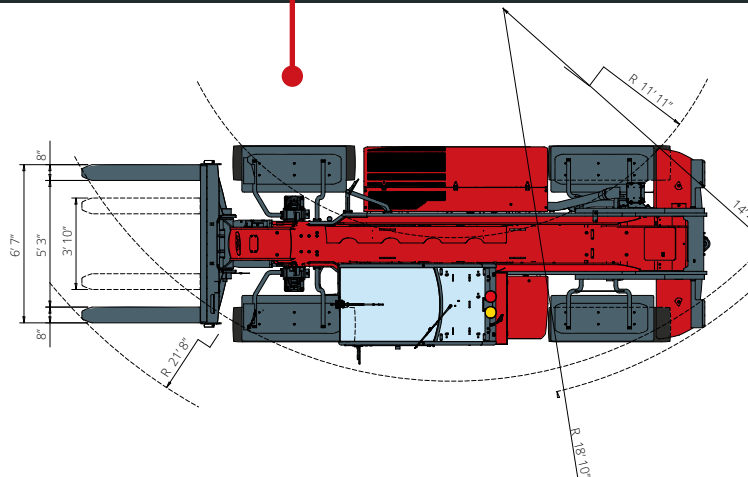


**FRONT**  
view



**TOP**  
view

**SIDE**  
view



The standard machine configuration includes:

#### CAB

- Comfort seat
- Adjustable steering column
- Analogue joypad
- Heating
- Air conditioning
- FM/AM radio with USB and Bluetooth connectivity
- USB Type-A (5 V) inputs

#### TECHNICAL SPECIFICATIONS

- Q-Fit Heavy-Duty
- Two-line CAN BUS system
- Automatic front and rear wheel alignment
- Automatic parking brake
- Mechanical battery cut-off in engine compartment
- Electrical system: 24 V – IP67

#### REAL TIME INFORMATION

- Touchscreen, 7"
- MCTS – Magni Combi Touch System on-board software
- Automatic RFID tools recognition system
- LMI – Load Moment Indicator
- Onboard and remote integrated diagnostics

#### SERVICE

- MyMagni by Trackunit connectivity system (2 years)
- Warranty: 24 months/2,000 hours