



# RTH

## 5.18



CONSTRUCTION



LOGISTICS



EVENTS AND  
FILM

**RTH**  
**5.18**



**CAB**

Best-in-class  
safety and visibility



**PERFORMANCE**

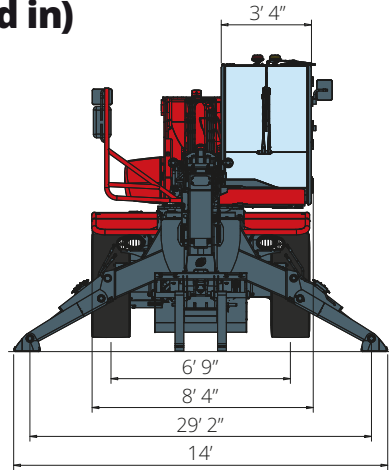
Unrivaled lifting  
performance



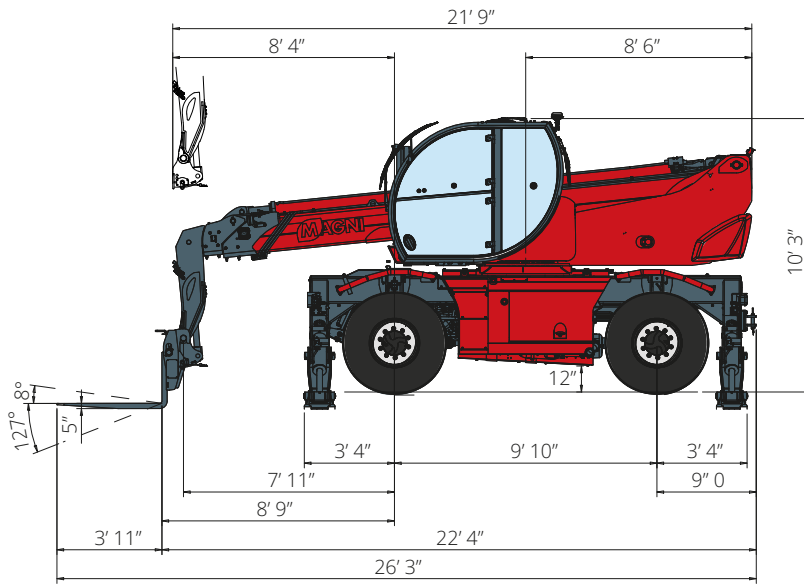
**LOAD LIVE DIAGRAM**

Three real-time dynamic  
load charts

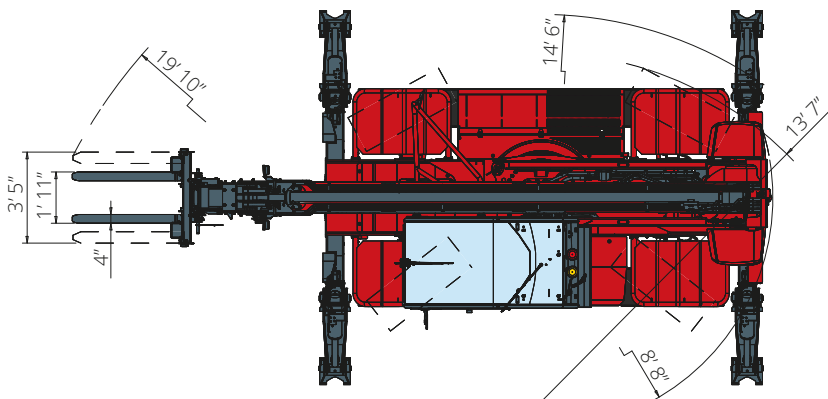
**DIMENSIONS (ft and in)**



**FRONT**  
view



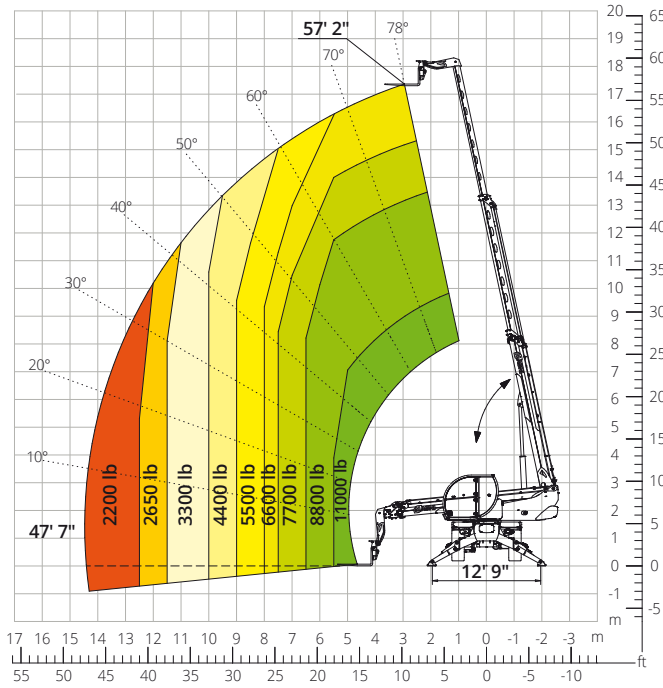
**SIDE**  
view



**TOP**  
view

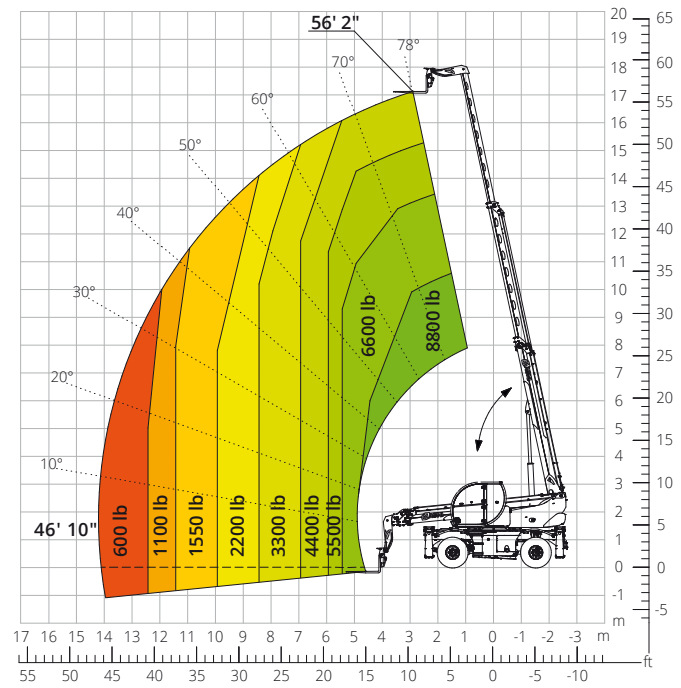
Load chart with  
**FULLY EXTENDED STABILIZERS (360°)**

ATT - 03 - 001



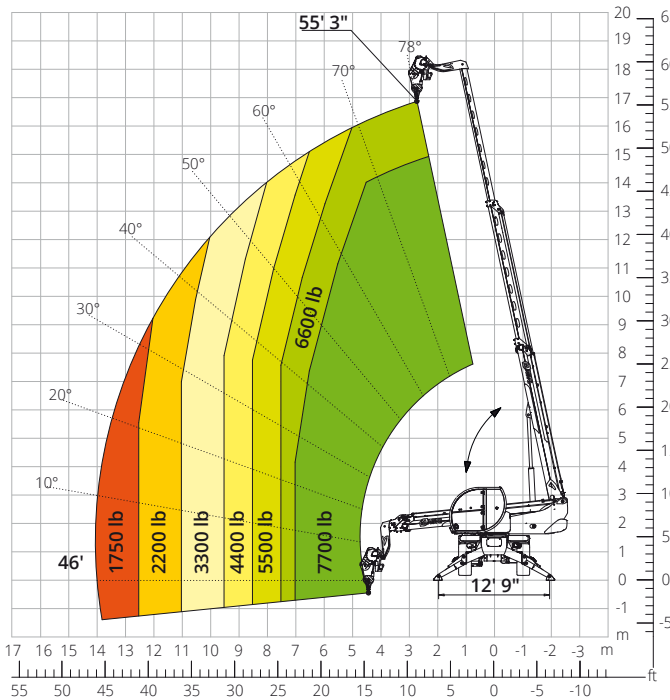
Load chart  
**FRONT ATTACHMENT ON TIRES**

ATT - 03 - 001



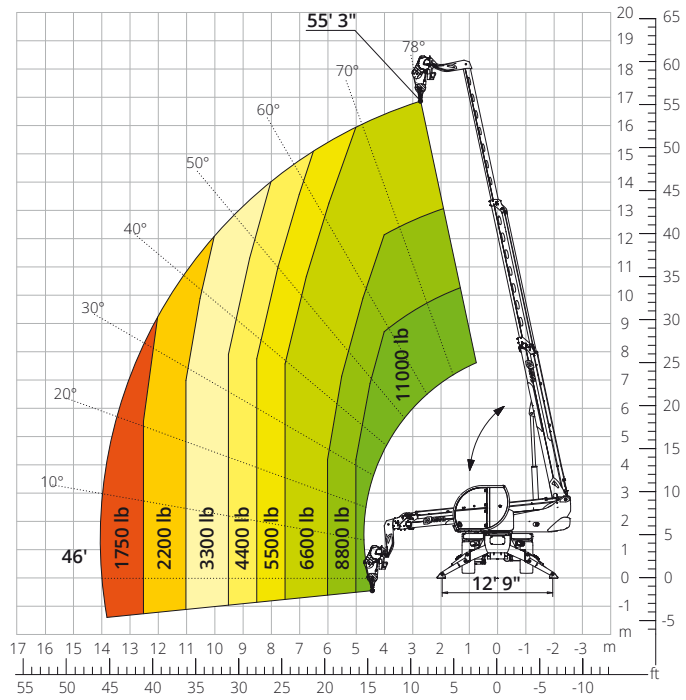
Load chart with  
**WINCH 7,700 lb**

ATT - 02 - 002



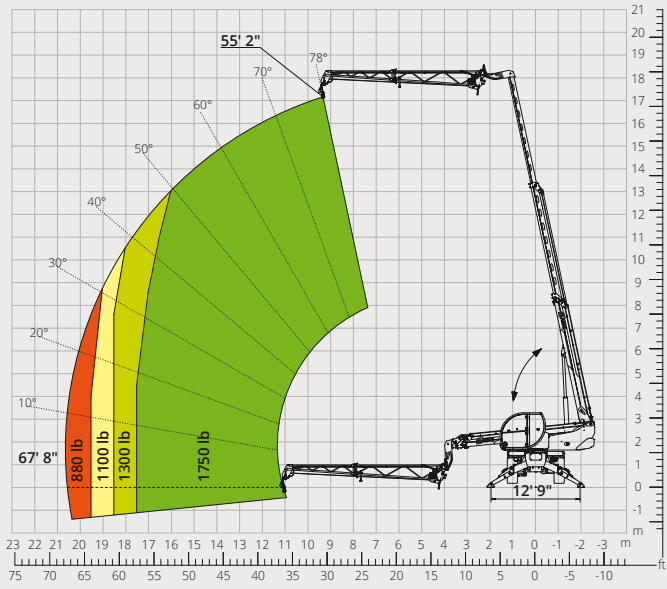
Load chart with  
**WINCH 11,000 lb**

ATT - 02 - 019



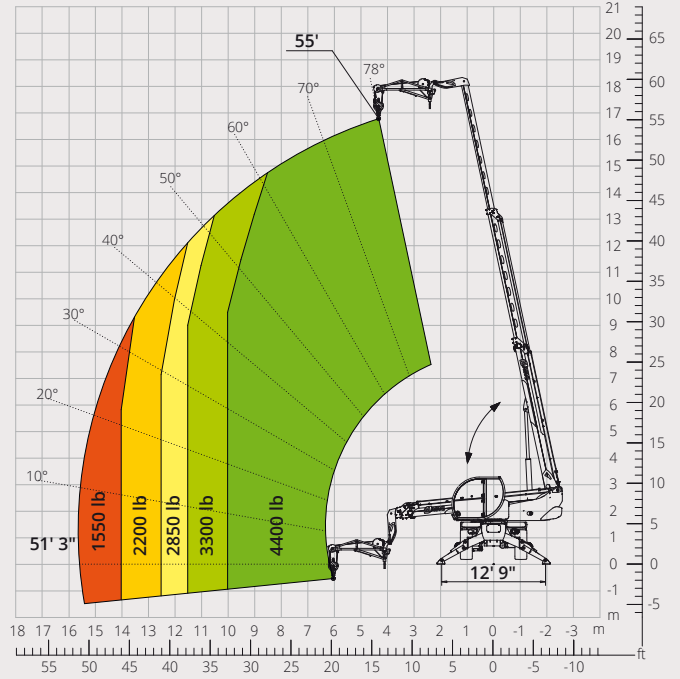
Load chart with  
**JIB WITH WINCH 1,750 lb**

ATT - 04 - 005



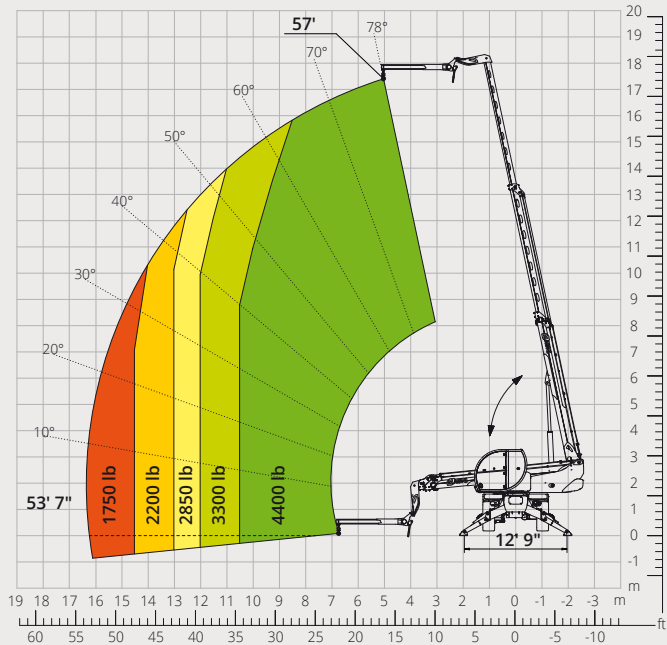
Load chart with  
**JIB WITH WINCH 4,400 lb**

ATT - 04 - 015



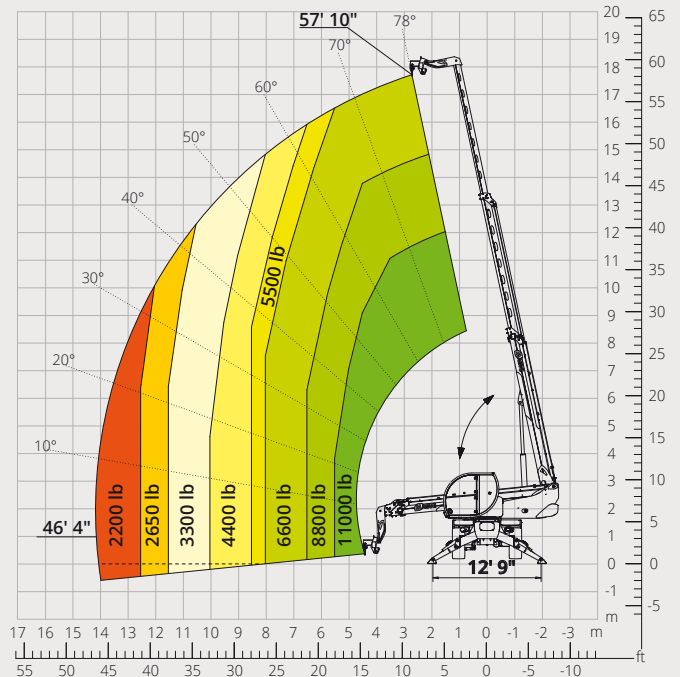
Load chart with  
**JIB 4,400 lb**

ATT - 04 - 013



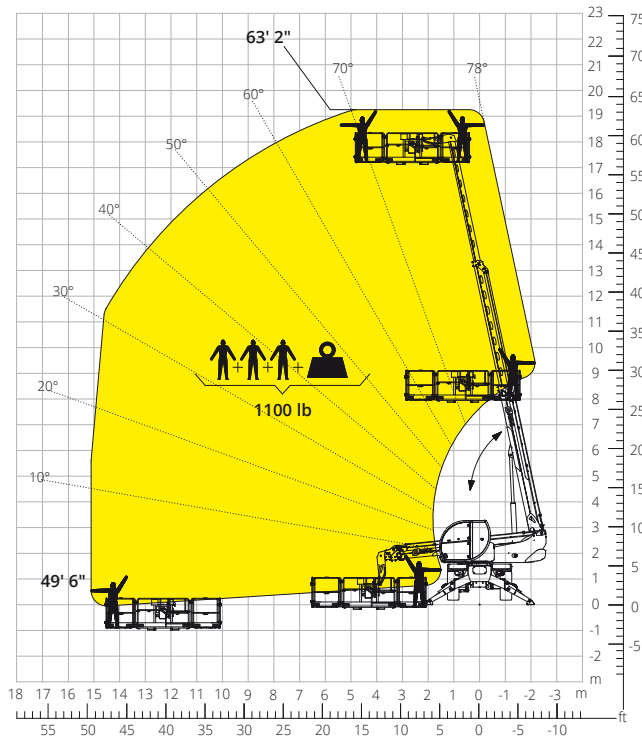
Load chart with  
**HOOK 11,000 lb**

ATT - 05 - 014



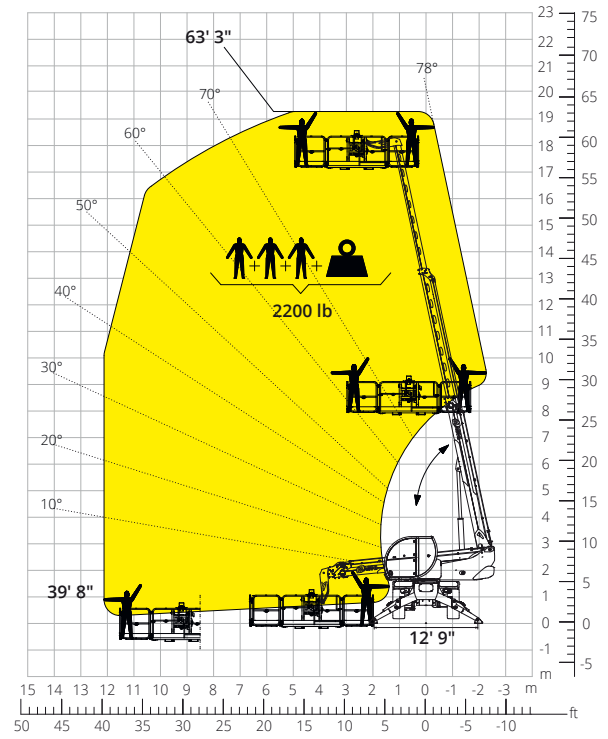
Load chart with  
**ROTATING EXTENDABLE PLATFORM 1,100 lb**

ATT - 01 - 005



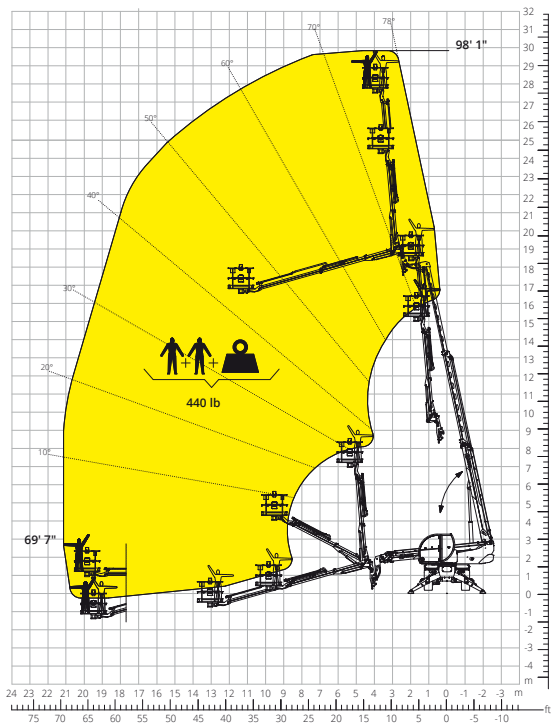
Load chart with  
**ROTATING EXTENDABLE PLATFORM 2,200 lb**

ATT - 01 - 016



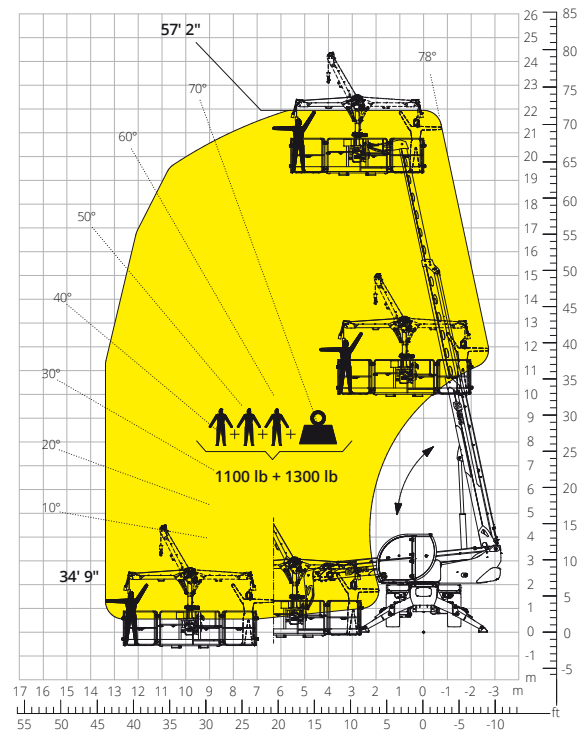
Load chart with  
**TELESCOPIC PLATFORM 440 lb - 32' 8\"**

ATT - 01 - 022



Load chart with  
**PLATFORM 1,100 lb WITH WINCH 1,300 lb**

ATT - 01 - 026



<b>Machine model</b>	Rotating telescopic handler	RTH 5.18	
	Maximum lifting capacity	11,000 lb	
	Maximum lifting height	57' 2"	
	Maximum reach	47' 7"	
	Rotation	360° (continuous)	
<b>Stabilizers</b>	Type	Pivoting	
<b>Engine</b>	Model	<b>Deutz TCD 3,6 L4 EDG Stage IIIA</b>	<b>Deutz TCD 3,6 L4 HT Stage V</b>
	Rated power	55.4 kW (75.3 hp) at 2,200 rpm	
	Maximum torque	288 lb/ft at 1,300 rpm	299 lb/ft at 1,300 rpm
	Displacement	3.6 l	
	Cylinders	4 in line	
	Engine type	Turbocharged direct injection diesel	
	Cooling system	Water - intercooler	
<b>Transmission</b>	Type	Hydrostatic	
	Maximum pressure	480 bar	
	Gearbox	Dropbox, 2 speeds forward-reverse	
<b>Axles and brakes</b>	Type	Axles with planetary gearboxes	
	Front axle	Steering	
	Rear axle	Oscillating and steering with hydraulic lock	
	No. of steering wheels	4WD - 4WS	
	Steering mode	Frontal/Concentric/Crab	
	Service brake	Wet multi-disk on front and rear axle	
	Parking brake	Hydraulic with negative action on front axle	
	Tyre sizes	445/65 R19.5	
<b>Performance</b>	Max. travel speed	16 mph	
	Gradeability (unladen)	51%	
	Turning radius (at forks)	19' 10"	
<b>Weights</b>	Total unladen*	31,750 lb	
	Front axle unladen (boom retracted and lowered)*	18,850 lb	
	Rear axle unladen (boom retracted and lowered)*	24,360 lb	
<b>Tank and system capacities</b>	Diesel fuel	46.2 U.S. gal	46.2 U.S. gal
	AdBlue	-	-
	Hydraulic fluid	28.3 U.S. gal	28.3 U.S. gal
	Engine oil	2.4 U.S. gal	2.4 U.S. gal
	Coolant	5.3 U.S. gal	5.3 U.S. gal
<b>Hydraulic circuit for movements</b>	Circuit type	Load sensing	
	Service pump	Variable displacement	
	Max. hydraulic flow rate	90 l/min	
	Max. boom head flow rate	75 l/min	
	Max. working pressure	350 bar	
	Distributor for boom and turret movements	SIL 2 electro-proportional valve	
Movements control	Dual joystick with integrated manoeuvre enable		
<b>Standards met</b>	2006/42/EC: EU Machinery Directive		
	2016/1628: EU Regulation on the emissions of stage V engines		
	EN 1459-X: Relating to standards on the safety requirements for variable reach machines		
	EN 280-1/EN 280-2: standards relating to mobile elevating work platforms (if available)		
ROPS/level 2 FOPS: relating to the standards for protective structures			

The data given in this brochure are provided for information purposes and are subject to change without prior notice.

All images are purely guideline and might not give an exact representation of the product.

\*the stated weight refers to the vehicle unladen with standard equipment and may vary depending on the chosen configuration.

## The standard machine configuration includes:

### CAB

- “Easy access” system
- Comfort seat
- Adjustable steering column
- Analogue joypad
- Adjustable sunblind
- Heating
- Air conditioning
- FM/AM radio with USB and Bluetooth connectivity
- Ambient LED lights
- USB Type-A and Type-C (5 V) inputs

### REAL TIME INFORMATION

- Touchscreen, 7”
- MCTS – Magni Combi Touch System on-board software
- Automatic RFID tools recognition system
- LMI – Load Moment Indicator
- LLD – Live Load Diagram
- Onboard and remote integrated diagnostics
- Reversing camera with image integrated in the MCTS

### TECHNICAL SPECIFICATIONS

- Q-Fit standard
- Provision for platform
- Advanced three-line CAN BUS system
- Automatic levelling system for outriggers
- Automatic front and rear wheel alignment
- Standard turret rotation motor
- Automatic parking brake
- Mechanical battery cut-off in engine compartment
- Electrical system: 24 V – IP67

### SERVICE

- MyMagni by Trackunit connectivity system (2 years)
- Warranty: 24 months/2,000 hours