



RTH

5.18



CONSTRUCTION



LOGISTICS



EVENTS AND
FILM

RTH
5.18



CAB

Best-in-class
safety and visibility



PERFORMANCE

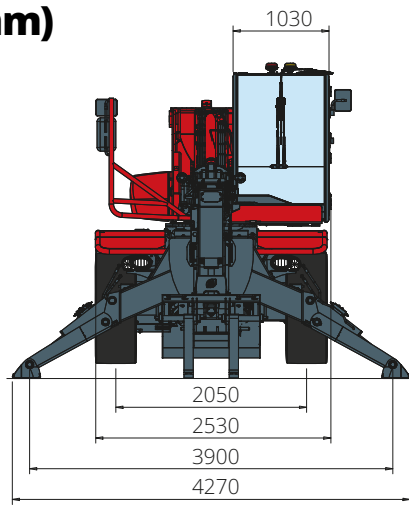
Unrivalled lifting
performance



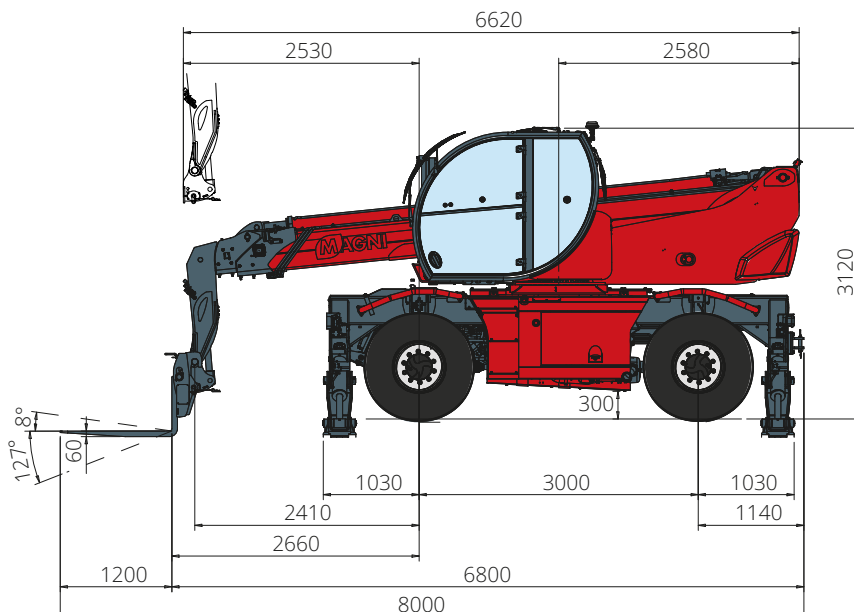
LOAD LIVE DIAGRAM

Three real-time dynamic
load charts

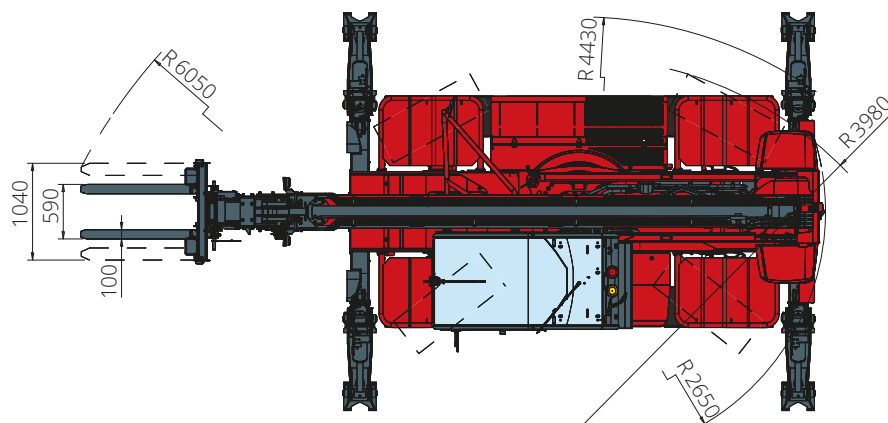
DIMENSIONS (mm)



FRONT
view



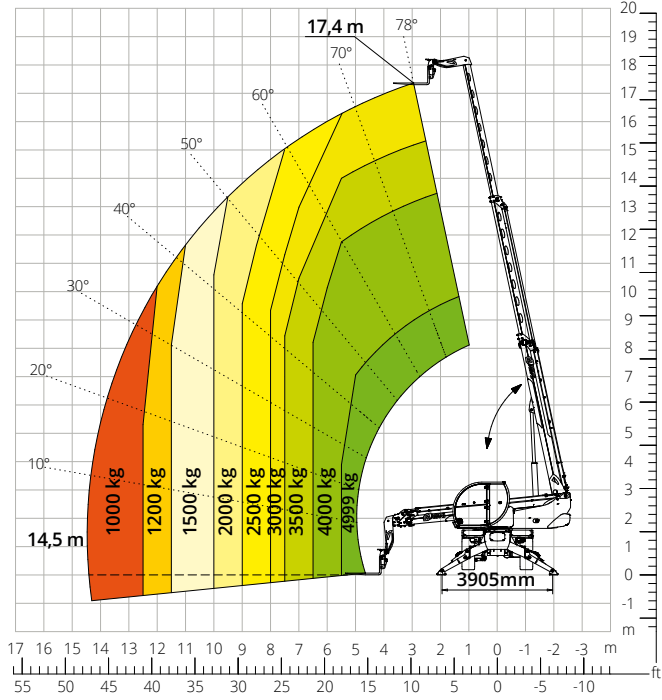
SIDE
view



TOP
view

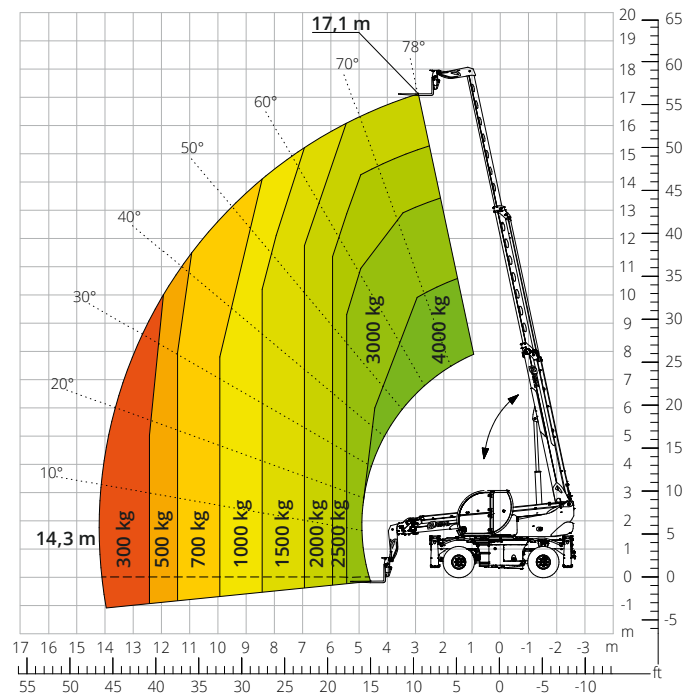
Load chart with
FULLY EXTENDED STABILISERS (360°)

ATT - 03 - 001



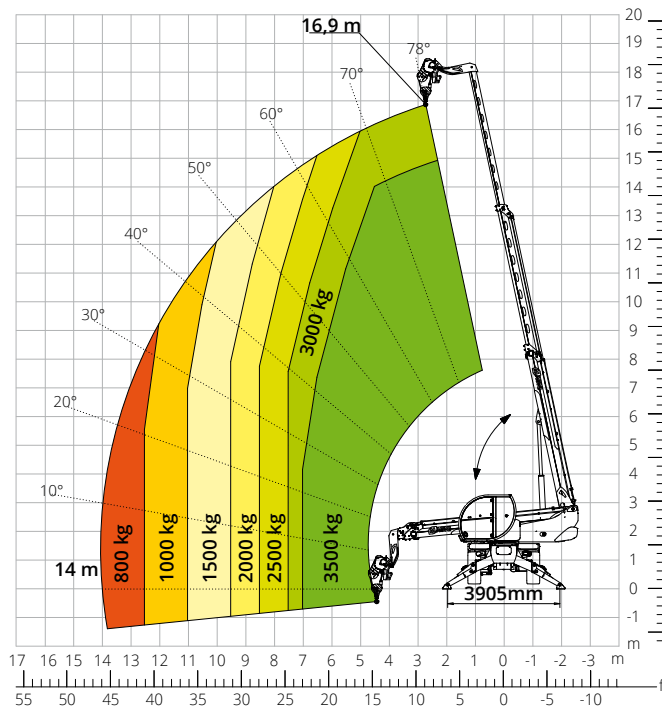
Load chart
FRONT ATTACHMENT ON TYRES

ATT - 03 - 001



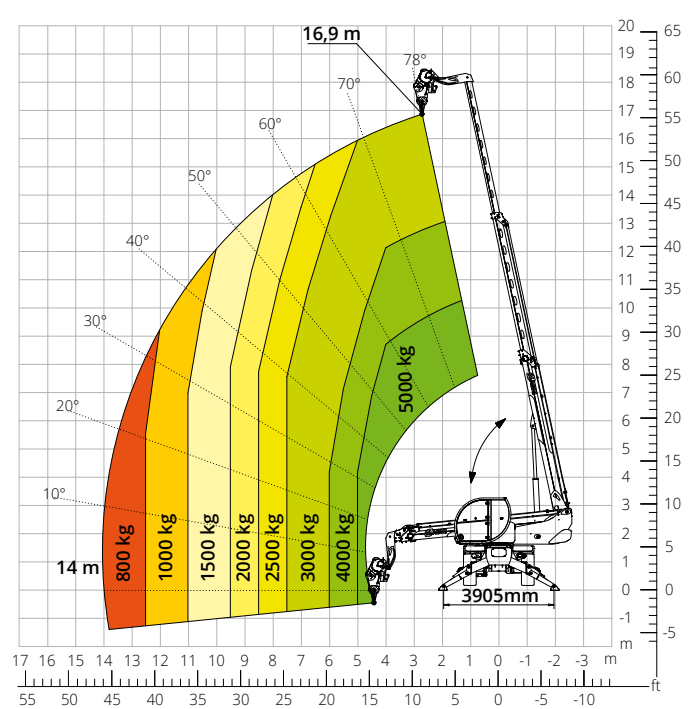
Load chart with
WINCH 3,500 kg

ATT - 02 - 002

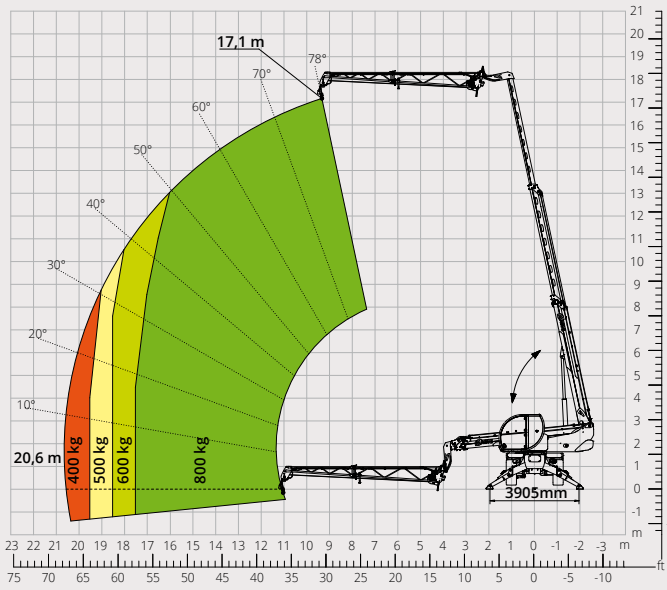


Load chart with
WINCH 5,000 kg

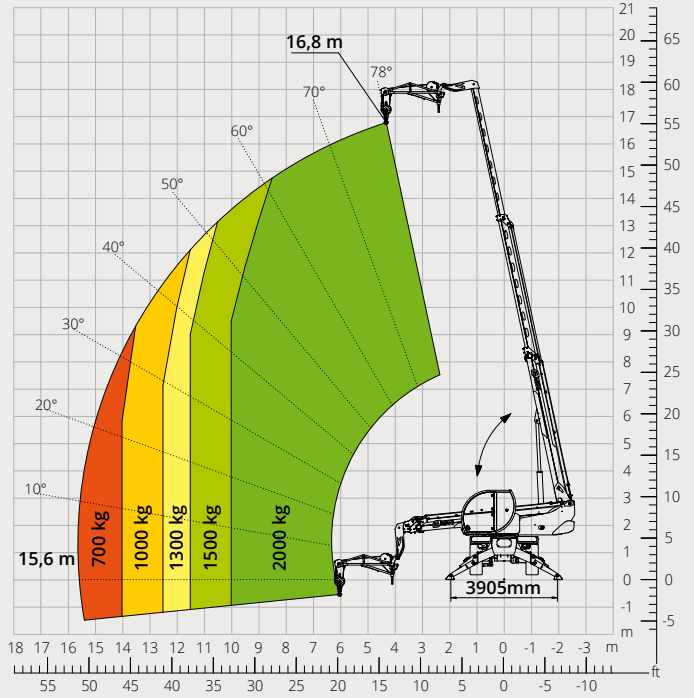
ATT - 02 - 019



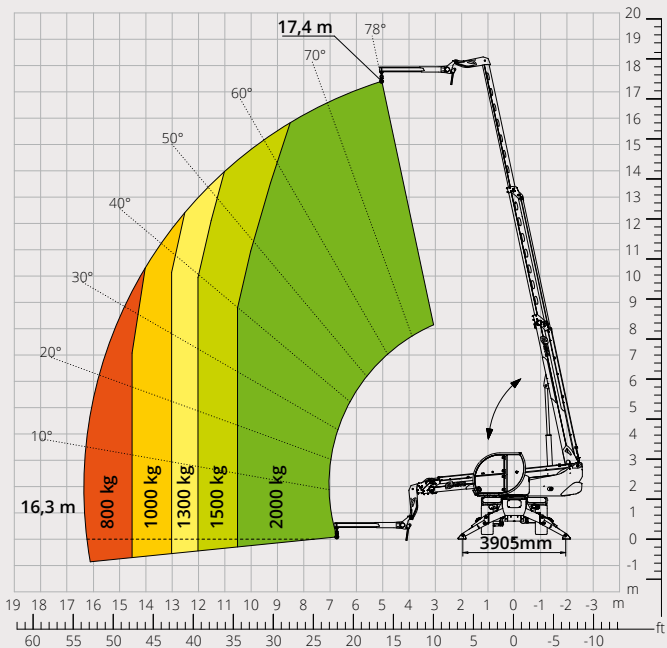
Load chart with
JIB WITH WINCH 800 kg
 ATT - 04 - 005



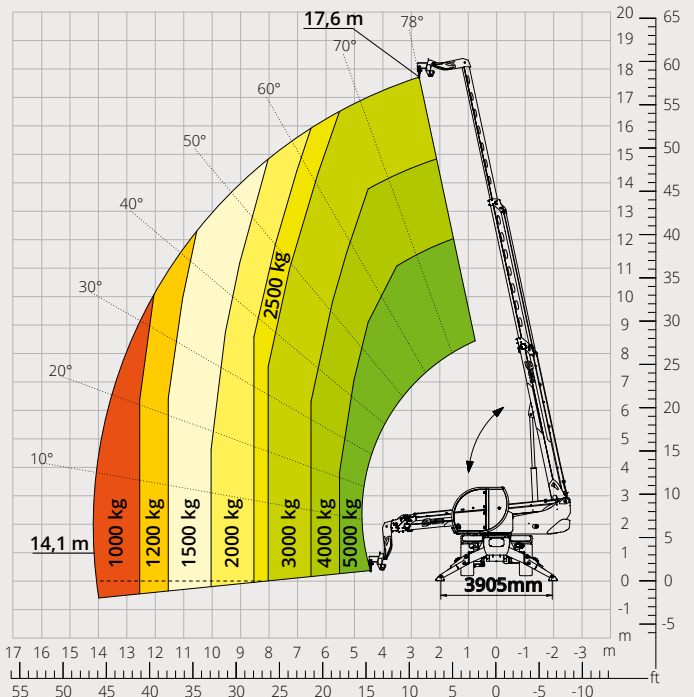
Load chart with
JIB WITH WINCH 2,000 kg
 ATT - 04 - 015



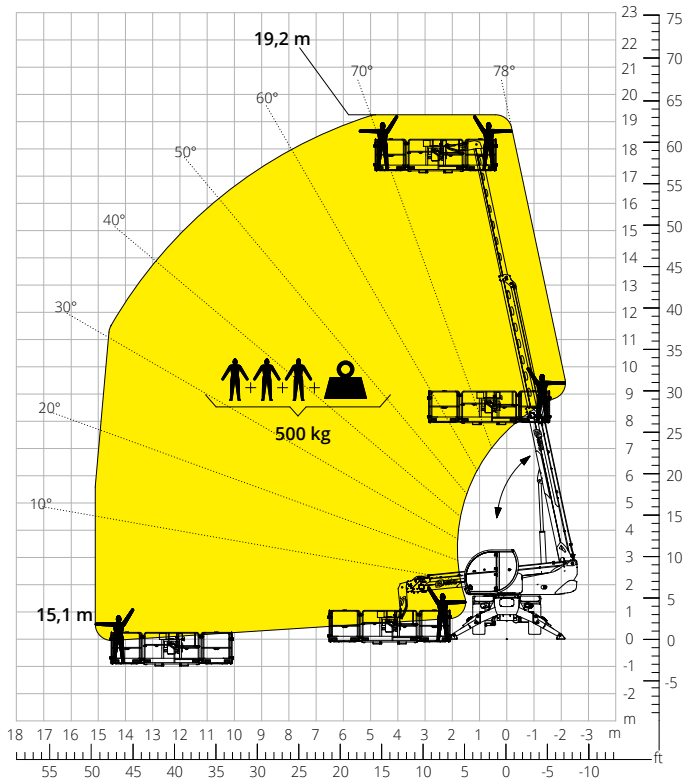
Load chart with
JIB 2,000 kg
 ATT - 04 - 013



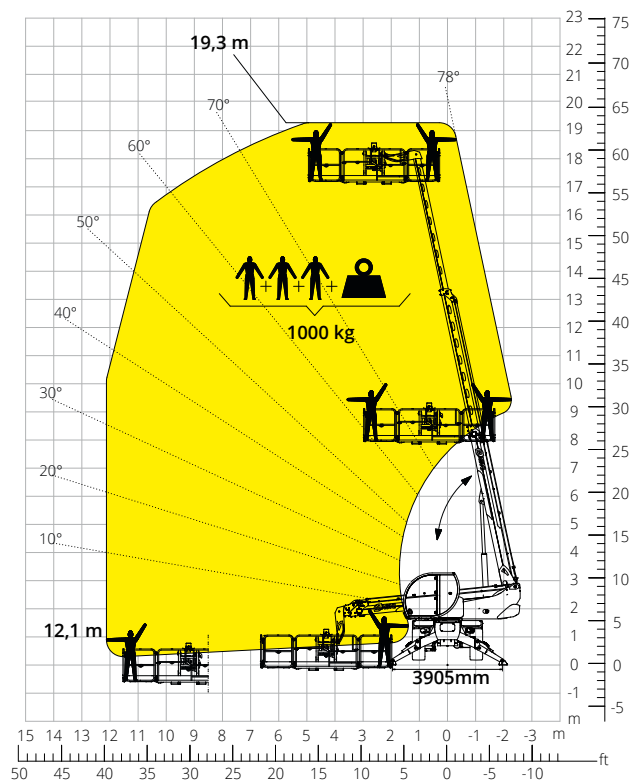
Load chart with
HOOK 5,000 kg
 ATT - 05 - 014



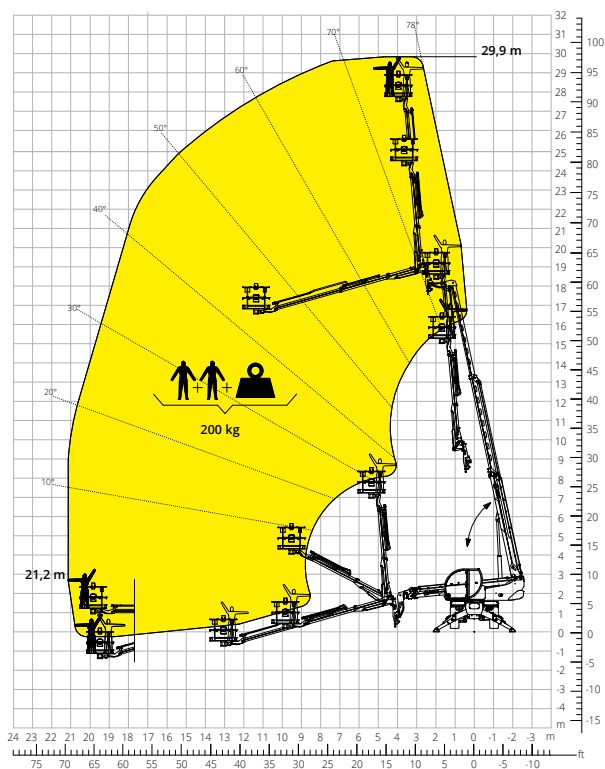
Load chart with
ROTATING EXTENDABLE PLATFORM
500 kg
ATT-01-007



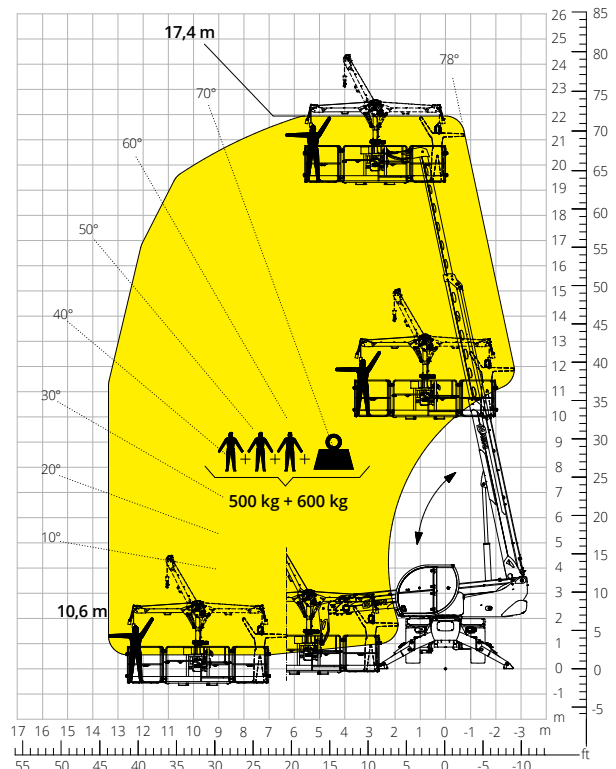
Load chart with
ROTATING EXTENDABLE PLATFORM
1,000 kg
ATT - 01 - 016



Load chart with
TELESCOPIC PLATFORM 200 kg - 10 m
ATT - 01 - 022



Load chart with
PLATFORM 500 kg WITH WINCH 600 kg
ATT - 01 - 026



Machine model	Rotating telescopic handler	RTH 5.18	
	Maximum lifting capacity	4,999 kg	
	Maximum lifting height	17.40 m	
	Maximum reach	14.50 m	
	Rotation	360° (continuous)	
Stabilisers	Type	Pivoting	
Engine	Model	Deutz TCD 3,6 L4 EDG Stage IIIA	Deutz TCD 3,6 L4 HT Stage V
	Rated power	55.4 kW (75.3 hp) at 2,200 rpm	
	Maximum torque	390 Nm at 1,300 rpm	405 Nm at 1,300 rpm
	Displacement	3,6 l	
	Cylinders	4 in line	
	Engine type	Turbocharged direct injection diesel	
	Cooling system	Water – intercooler	
Transmission	Type	Hydrostatic	
	Maximum pressure	480 bar	
	Gearbox	Dropbox, 2 speeds forward-reverse	
Axles and brakes	Type	Axles with planetary gearboxes	
	Front axle	Steering	
	Rear axle	Oscillating and steering with hydraulic lock	
	No. of driving/steering wheels	4WD - 4WS	
	Steering mode	Frontal/Concentric/Crab	
	Service brake	Wet multi-disk on front and rear axle	
	Parking brake	Hydraulic with negative action on front axle	
Performance	Tyre sizes	445/65 R19.5	
	Max. travel speed	25 km/h	
	Gradeability (unladen)	51%	
Weights	Turning radius (at forks)	6,050 mm	
	Total unladen*	14,400 kg	
	Front axle unladen (boom retracted and lowered)*	6,300 kg	
	Rear axle unladen (boom retracted and lowered)*	8,100 kg	
Tank and system capacities	Diesel fuel	175 l	175 l
	AdBlue	-	-
	Hydraulic fluid	107 l	107 l
	Engine oil	9 l	9 l
	Coolant	20 l	20 l
Hydraulic circuit for movements	Circuit type	Load sensing	
	Service pump	Variable displacement	
	Max. hydraulic flow rate	90 l/min	
	Max. boom head flow rate	75 l/min	
	Max. working pressure	350 bar	
	Distributor for boom and turret movements	SIL 2 electro-proportional valve	
	Movements control	Dual joystick with integrated manoeuvre enable	
Standards met	2006/42/EC: EU Machinery Directive		
	2016/1628: EU Regulation on the emissions of stage V engines		
	EN 1459-X: Relating to standards on the safety requirements for variable reach machines		
	EN 280/EN 280-1/EN 280-2: standards relating to mobile elevating work platforms (if available)		
	ROPS/level 2 FOPS: relating to the standards for protective structures		

The data given in this brochure are provided for information purposes and are subject to change without prior notice.

All images are purely guideline and might not give an exact representation of the product.

**the stated weight refers to the vehicle unladen with standard equipment and may vary depending on the chosen configuration.*

The standard machine configuration includes:

CAB

- “Easy access” system
- Comfort seat
- Adjustable steering column
- Analogue joypad
- Adjustable sunblind
- Heating
- Air conditioning
- FM/AM radio with USB and Bluetooth connectivity
- Ambient LED lights
- USB Type-A and Type-C (5 V) inputs

REAL TIME INFORMATION

- Touchscreen, 7”
- MCTS – Magni Combi Touch System on-board software
- Automatic RFID tools recognition system
- LMI – Load Moment Indicator
- LLD – Live Load Diagram
- Onboard and remote integrated diagnostics
- Reversing camera with image integrated in the MCTS

TECHNICAL SPECIFICATIONS

- Q-Fit standard
- Provision for platform
- Advanced three-line CAN BUS system
- Automatic levelling system for outriggers
- Automatic front and rear wheel alignment
- Standard turret rotation motor
- Automatic parking brake
- Mechanical battery cut-off in engine compartment
- Electrical system: 24 V – IP67

SERVICE

- MyMagni by Trackunit connectivity system (2 years)
- Warranty: 24 months/2,000 hours