

**IN**
OUT
4WD
2WS

HAB16RT

Articulated boom lifts



STANDARD EQUIPMENT

- Oscillating front axle
- Stability on all kinds of terrain
- Two travel speeds
- Two-wheel steering
- Four-wheel drive
- 360° rotation (continuous)
- Special construction equipment-grade integral driveshaft
- Modular design making pieces compatible throughout the range
- Proportional controls
- Thumb rocker steering
- Flashing light
- Non-marking tyres
- Horn
- Hour counter
- Harsh environment kits
- 12V DC Auxiliary power

BATTERY

- TIANNENG - Lead-acid battery
- Battery capacity: 48 V/320 Ah
- Charger: 48V DC/60 A
- Single-phase 220 V
- Recharge time, 0 - 100% (hours)* 5
- Range Extender engine: Kubota Z482/9.8kW

BASKET

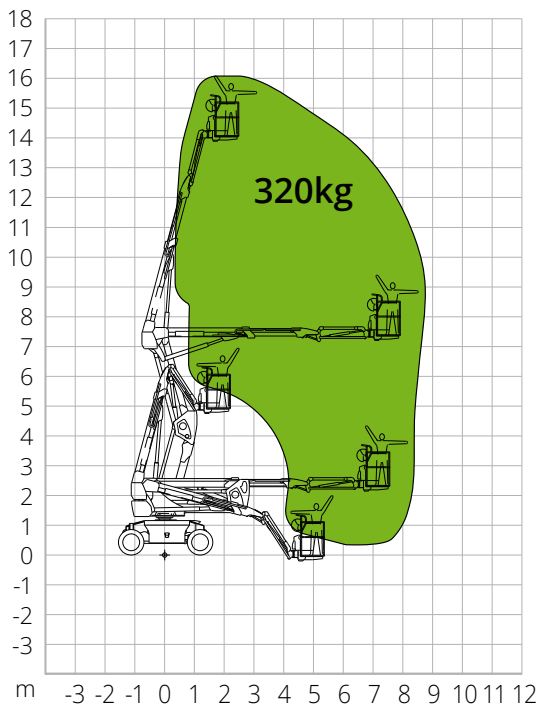
- Self-levelling
- Rotation +/-90°
- Schuko power socket 16A/250 V

SAFETY

- Drive enable system
- Platform load moment indicator
- On-board diagnostics system
- Emergency lowering system
- Tilt indicator with alarm
- Crushing protection

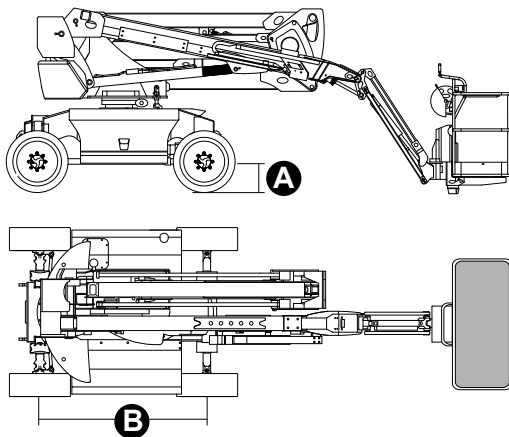
**CONSTRUCTION****LOGISTICS**

LOAD CHART



DIMENSIONS

Platform length	-
Platform length (transport)	5.17 m
Platform width (tyres)	-
Platform width (transport)	2.44 m
Platform height	-
Platform height (transport)	2.58 m
Wheelbase	B 2.40 m
Tailswing	0
Ground clearance	A 0.31 m



STANDARDS COMPLIANCE: EN 280, ANSI/SAIA A92.20

The data given in this brochure are provided for information purposes and are subject to change without prior notice. All images are purely guideline and might not give an exact representation of the product.

HAB16RT

Technical data

Max. working height	16.27 m
Max. basket height	14.27 m
Articulation point	7.30 m
Max. reach	8.09 m
Turning radius (outside)	4.73 m
Turning radius (inside)	3 m
Basket width	0.79 m
Basket length	1.83 m
Basket rotation	180°
Jib type	Standard
Jib length	1.50 m
Jib Vertical Rotation	132°
Below-ground height	1.06 m
Below-ground reach	7.25 m
Auxiliary power	12 V DC

Performance

Platform max. load capacity	320 kg
Max. occupants	2
Max. gradeability (stowed)	40%
Max. working slope	X-5°/Y-5°
Max. wind speed	12.5 m/s
Travel speed (closed config.)	6.0 km/h
Travel speed (working config.)	1.1 km/h
Turret rotation (continuous)	360°

Engine

Power	34 AC/9 kW
Range Extender engine	Kubota Z482/9.8 kW
Diesel tank capacity	90 l
Hydraulic tank capacity	145 l
Transmission	-

Specific characteristics

Tyres	315/55 D20
Battery type	TIANNENG - Lead-acid battery
Battery capacity	48V/300Ah
Charger	48VDC/60A
Charger type	Single-phase 220 V
Recharge time, 0 - 100% (hours)*	5
Lifting motors	34VAC/13kW
Total weight	8,300 kg

*Nominal. The actual value depends on weather and usage factors