

**IN**
OUT**4WD****4WS**

DTBJ30RT

Telescopic boom lifts



STANDARD EQUIPMENT

- Telescopic jib
- Oscillating front axle
- Two travel speeds
- Four-wheel steering
- Four-wheel drive
- 360° rotation (continuous)
- Special construction equipment-grade integral driveshaft
- Proportional controls
- Thumb rocker steering
- Flashing light
- Non-marking tyres
- Horn
- Hour counter
- Harsh environment kits
- 12V DC Auxiliary power

ENGINE

- Stage V engine (Stage IIIA available on request)
- Auto-engine fault shutdown
- Anti-reverse engine device
- Anti-restart engine protection

BASKET

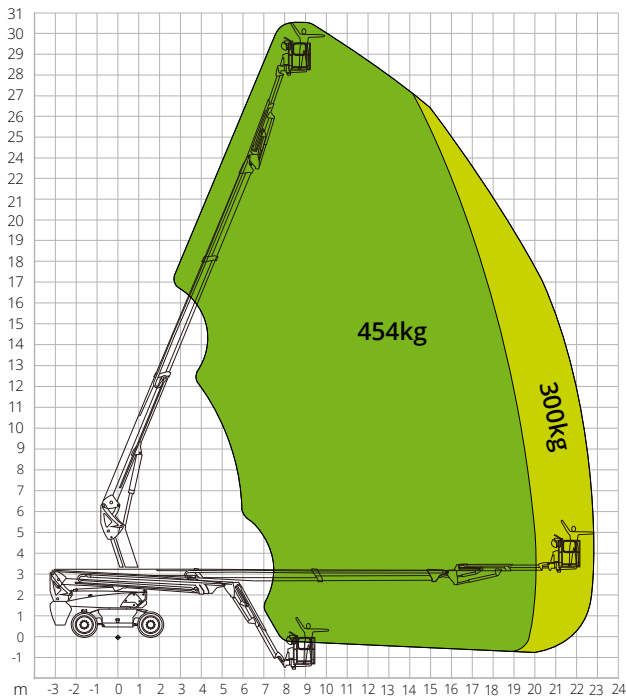
- Self-levelling
- Rotation +/-90°
- Schuko power socket 16A/250 V

SAFETY

- Drive enable system
- Platform load moment indicator
- On-board diagnostics system
- Emergency lowering system
- Tilt indicator with alarm
- Crushing protection

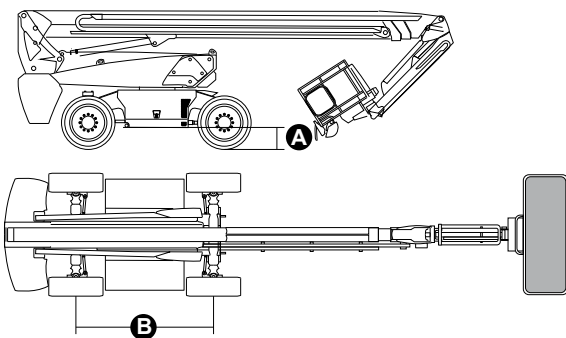
**CONSTRUCTION****LOGISTICS**

LOAD CHART



DIMENSIONS

Platform length (transport)		8.82 m
Platform width (transport)		2.50 m
Platform width (axle expanded)		-
Platform width (axle retracted)		-
Platform height (transport)		2.96 m
Wheelbase	B	2.80 m
Wheelbase (axle extended)		-
Wheelbase (axle retracted)		-
Tailswing		1.61 m
Ground clearance	A	0.41 m



DTBJ30RT

Technical data

Max. working height	30.30 m
Max. basket height	28.30 m
Max. reach	23.00 m
Turning radius (outside)	3.22 m
Turning radius (inside)	1.87 m
Basket width	0.91 m
Basket length	2.44 m
Basket rotation	180°
Jib type	Telescopic
Jib length	3.98 m
Jib Vertical Rotation	130°
Jib travel angle	-
Auxiliary power	12V DC

Performance

Platform max. load capacity	300/454 kg
Max. occupants	3
Max. gradeability (stowed)	45%
Max. working slope	X-5°/Y-5°
Max. wind speed	12.5 m/s
Travel speed (closed config.)	6.0 km/h
Travel speed (working config.)	1.1 km/h
Turret rotation (continuous)	360°

Engine

Power	Deutz TD2.9 L4/55.4kW
Diesel tank capacity	135 l
Hydraulic tank capacity	165 l
Transmission	Hydrostatic

Specific characteristics

Tyres	385/45-28
Electrical system	-
Total weight	18,900 kg

STANDARDS COMPLIANCE: EN 280-1, ANSI/SAIA A92.20

The data given in this brochure are provided for information purposes and are subject to change without prior notice.
All images are purely guideline and might not give an exact representation of the product.