



IN



EAB18AC

Articulated boom lifts

PRELIMINARY



STANDARD EQUIPMENT

- Two-wheel drive
- Two-wheel steering
- 360°rotation (continuous)
- Proportional controls
- Flashing light
- Hour counter
- Horn
- Deadman
- Foam-filled Tyres

BATTERY

- Lead-acid battery
- Battery capacity: 48V/280Ah
- Charger: 48V/35A
- Zero emissions

BASKET

- Self-levelling

SAFETY

- On-board diagnostics system
- Tilt indicator with alarm
- Drive enable system
- Manual Safety Pump

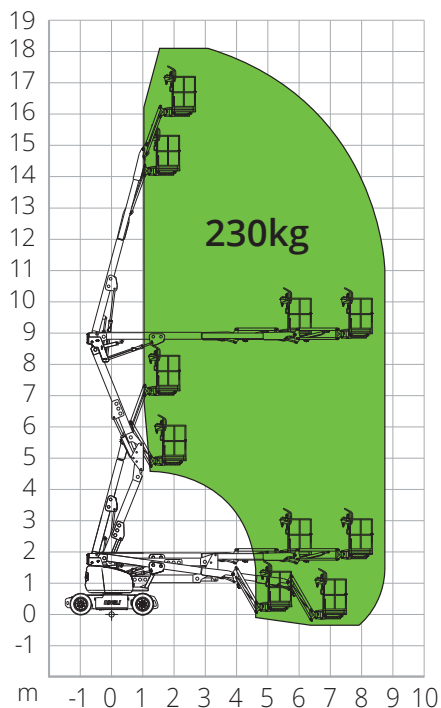


CONSTRUCTION



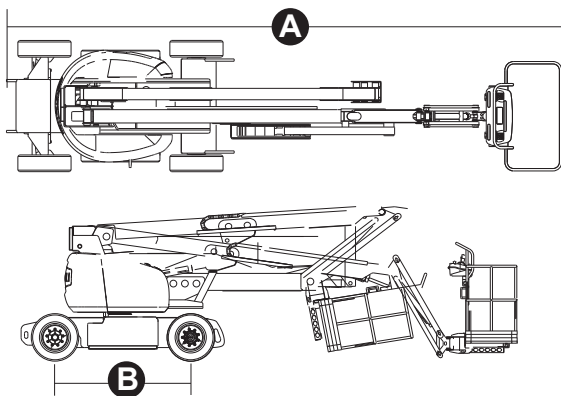
LOGISTICS

LOAD CHART



DIMENSIONS

Platform length		7.21 m
Platform length (transport)	A	6.10 m
Platform width (transport)		1.73 m
Platform height		2.00 m
Platform height (transport)		2.00 m
Wheelbase	B	2.00 m
Ground clearance		0.20 m



EAB18AC

Technical data

Max. working height	18.00 m
Max. basket height	16.00 m
Articulation point	8.90 m
Max. reach	8.90 m
Turning radius (inside)	2.08 m
Turning radius (outside)	3.30 m
Basket length	1.45 m
Basket width	0.76 m
Basket rotation	180°
Jib Vertical Rotation	130°

Performance

Platform max. load capacity	230 kg
Max. occupants	2
Max. gradeability (stowed)	25%
Max. working slope	3°/3°
Travel speed (closed config.)	6.1 km/h
Travel speed (working config.)	1.1 km/h
Turret rotation	+/-180°

Specific characteristics

Tyres	17.5x6.75
Battery type	Lead-acid battery
Battery capacity	48V/300Ah
Charger	48V/35A
Driving motor	32V AC/3,3KW
Lifting motor	48V/3,8KW

Total weight 7,420 kg

STANDARDS COMPLIANCE: EN 280-1, ANSI/SAIA A92.20

The data given in this brochure are provided for information purposes and are subject to change without prior notice. All images are purely guideline and might not give an exact representation of the product.