



# HTH

## 12.10



MINING &  
QUARRYING

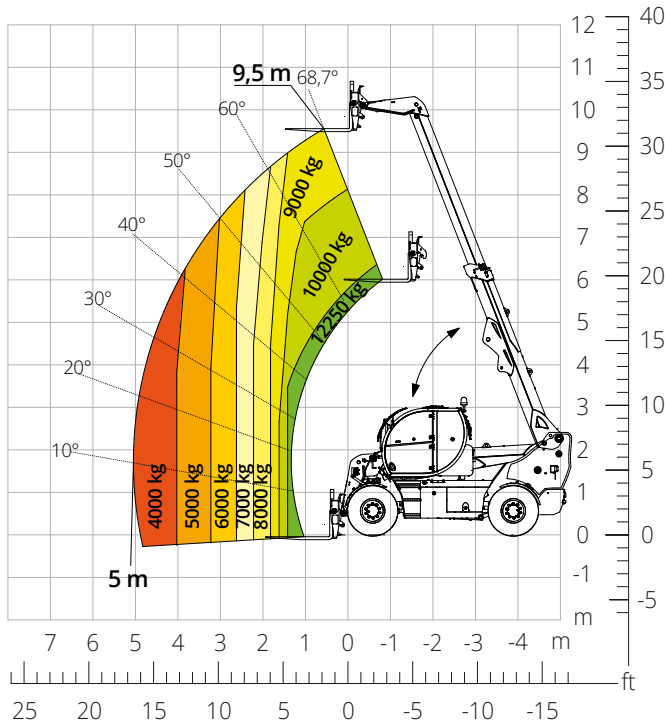


HEAVY  
LOGISTICS

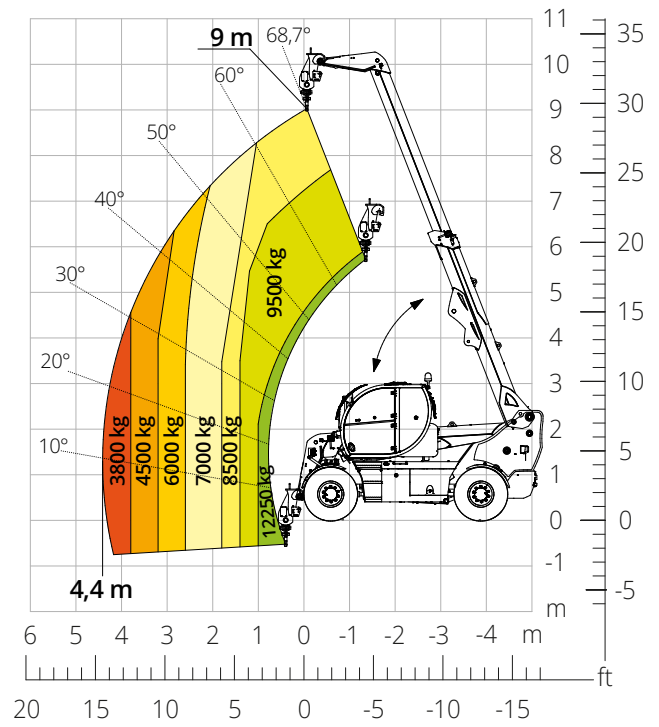


DEFENCE

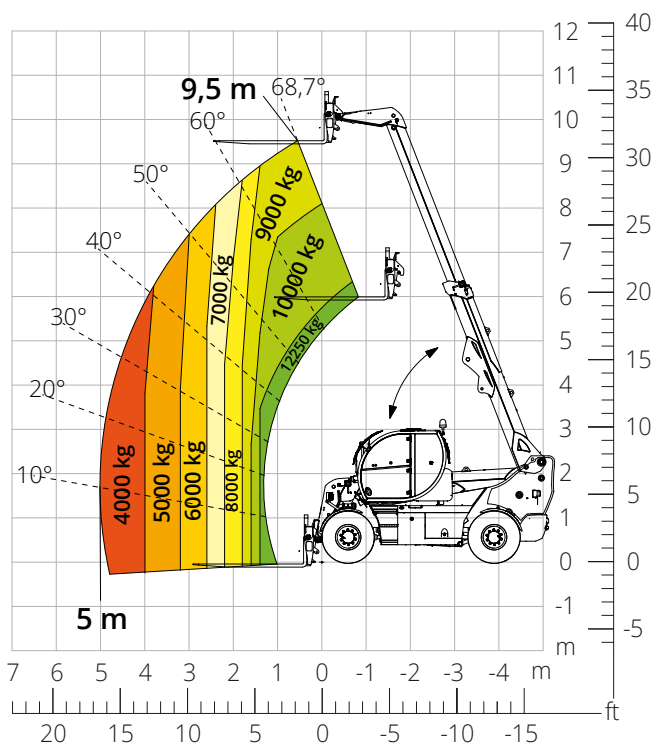
Load chart  
**FRONT ATTACHMENT ON TYRES**  
 ATT-03-013



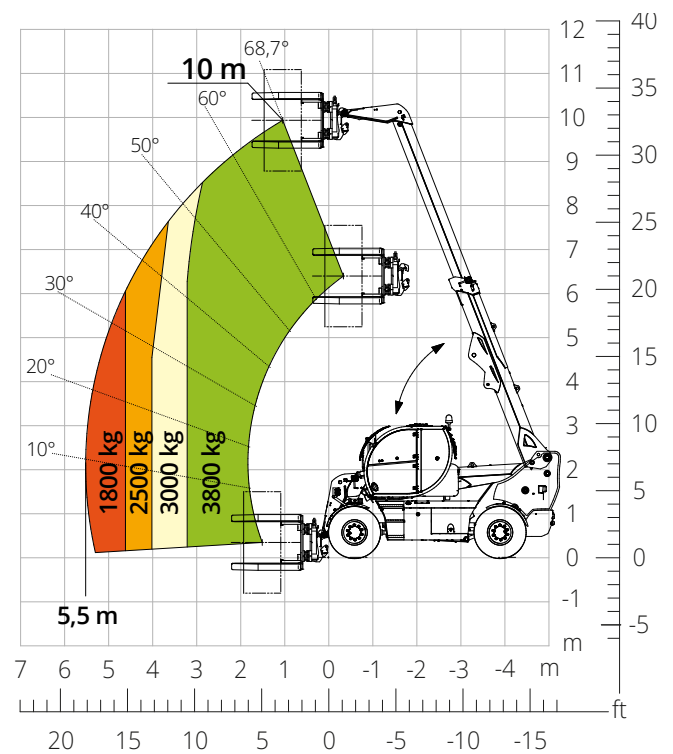
Load chart with  
**HOOK, 13,000 kg**  
 ATT-05-013



Load chart with  
**FORKS WITH POSITIONER, 12,000 kg**  
 ATT-03-050



Load chart with  
**TYRE HANDLER, 3,800 kg**  
 ATT-06-005

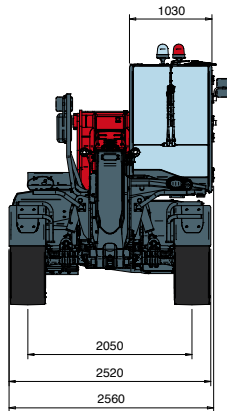


<b>Machine model</b>	Telescopic handler	HTH 12.10	
	Maximum lifting capacity	12,000 kg	
	Maximum lifting height	9.50 m	
	Maximum reach	5.00 m	
<b>Engine</b>	Model	<b>Deutz TCD 3,6 L4-Stage V</b>	<b>Deutz TCD 3,6 L4-Stage IIIA</b>
	Rated power	100 kW (136 hp) at 2,200 rpm	
	Maximum torque	500 Nm at 1,600 rpm	
	Displacement	3,62 l	
	Cylinders	4 in line	
	Engine type	Turbocharged direct injection common rail diesel	
	Cooling system	Water – intercooler	
<b>Transmission</b>	Type	Hydrostatic	
	Maximum pressure	450 bar	
	Gearbox	Dropbox, 2 speeds forward-reverse	
<b>Axles and brakes</b>	Type	Heavy-duty with planetary gearboxes	
	Front axle	Steering with levelling, +/-8°	
	Rear axle	Steering and oscillating	
	No. of driving - steering wheels	4WD - 4WS	
	Steering mode	Frontal/Concentric/Crab	
	Service brake	Servo-assisted pedal, acting on front and rear wheels	
	Parking brake	Hydraulic with negative action on front and rear axles	
<b>Performance</b>	Tyre sizes	18 R22.5	
	Max. travel speed	40 km/h	
	Gradeability (unladen)	63%	
	Turning radius	3,930 mm	
<b>Weights</b>	Total unladen*	15,100 kg	
	Front axle unladen (boom retracted and lowered)*	4,200 kg	
	Rear axle unladen (boom retracted and lowered)*	10,900 kg	
<b>Tank and system capacities</b>	Diesel fuel	195 l	
	AdBlue	10 l	
	Hydraulic fluid	210 l	
	Engine oil	9 l	
	Coolant	25 l	
<b>Hydraulic circuit for movements</b>	Circuit type	Load sensing	
	Service pump	Variable displacement	
	Max. hydraulic flow rate	156 l/min	
	Max. boom head flow rate	75 l/min	
	Max. working pressure	400 bar	
	Distributor for boom movements	Proportional hydraulic distributor	
	Movements control	Multifunction electro-proportional joystick	
<b>Standards met</b>	2006/42/EC: EU Machinery Directive 2016/1628: EU Regulation on the emissions of stage V engines EN 1459-X: Relating to standards on the safety requirements for variable reach machines ROPS/level 2 FOPS: relating to the standards for protective structures		

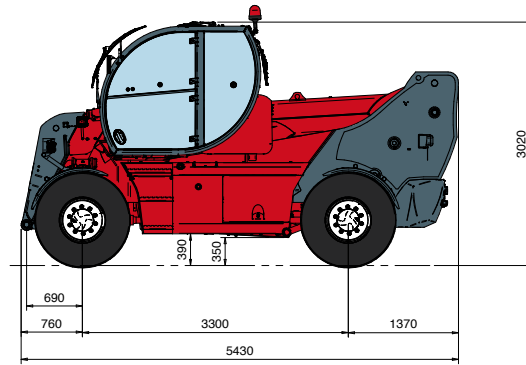
*The data given in this brochure are provided for information purposes and are subject to change without prior notice.  
 All images are purely guideline and might not give an exact representation of the product.  
 \*the stated weight refers to the vehicle unladen with standard equipment and may vary depending on the chosen configuration.*

# HTH 12.10

## DIMENSIONS (mm)

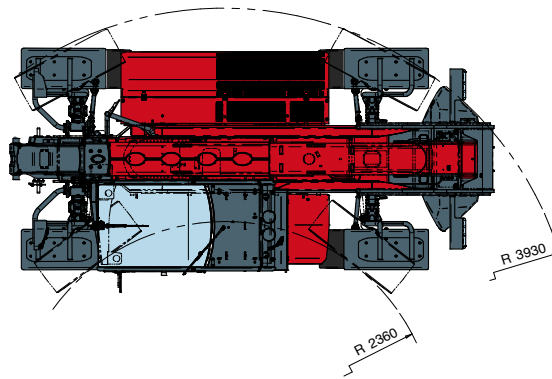


**FRONT**  
view



**SIDE**  
view

**TOP**  
view



The standard machine configuration includes:

### CAB

- Comfort seat
- Adjustable steering column
- Analogue joypad
- Heating
- Air conditioning
- FM/AM radio with USB and Bluetooth connectivity
- USB Type-A (5 V) inputs

### REAL TIME INFORMATION

- Touchscreen, 7"
- MCTS – Magni Combi Touch System on-board software
- Automatic RFID tools recognition system
- LMI – Load Moment Indicator
- Onboard and remote integrated diagnostics

### TECHNICAL SPECIFICATIONS

- Q-Fit Heavy-Duty
- Two-line CAN BUS system
- Automatic front and rear wheel alignment
- Automatic parking brake
- Mechanical battery cut-off in engine compartment
- Electrical system: 24 V – IP67

### SERVICE

- MyMagni by Trackunit connectivity system (2 years)
- Warranty: 24 months/2,000 hours