



# RTH

# 5.18



CONSTRUCTION



LOGISTICS



EVENTS AND  
FILM

RTH  
5.18



**CAB**

Best-in-class  
safety and visibility



**PERFORMANCE**

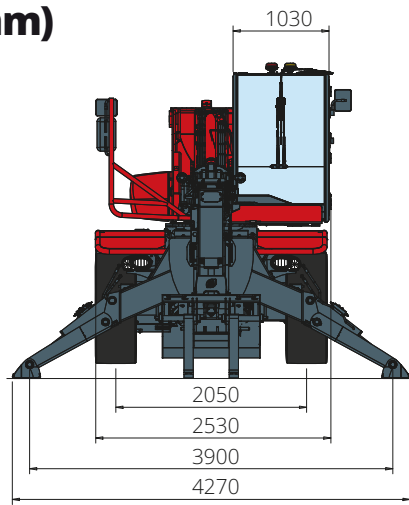
Unrivalled lifting  
performance



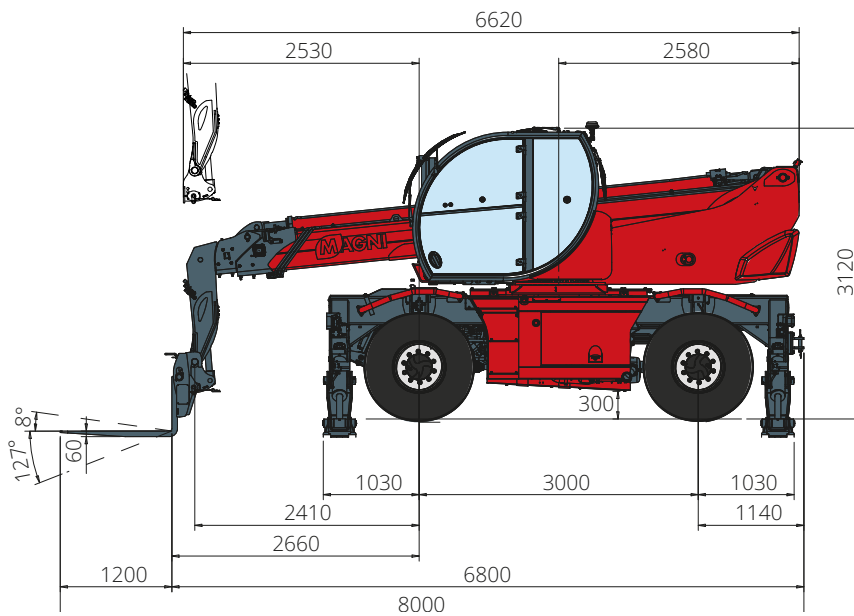
**LOAD LIVE DIAGRAM**

Three real-time dynamic  
load charts

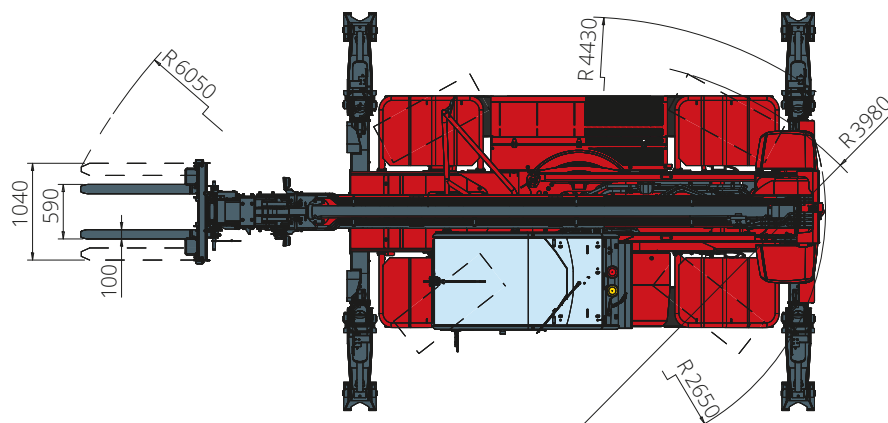
**DIMENSIONS (mm)**



**FRONT**  
view



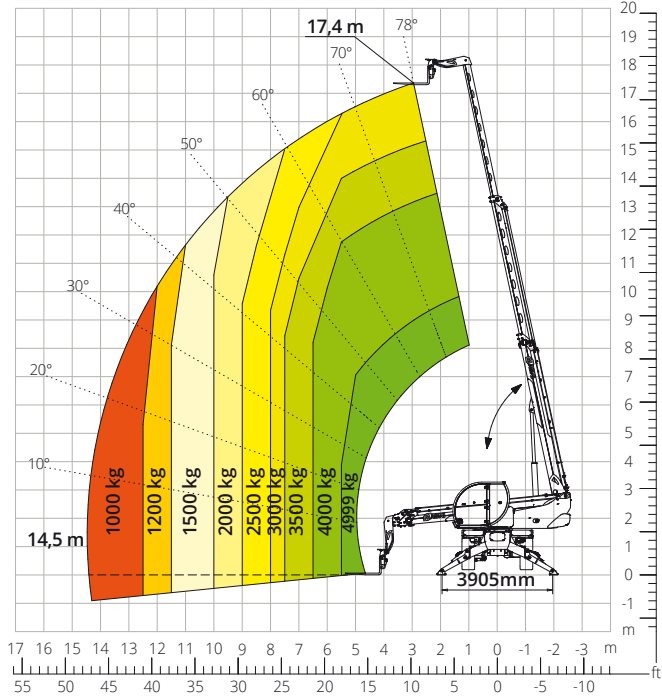
**SIDE**  
view



**TOP**  
view

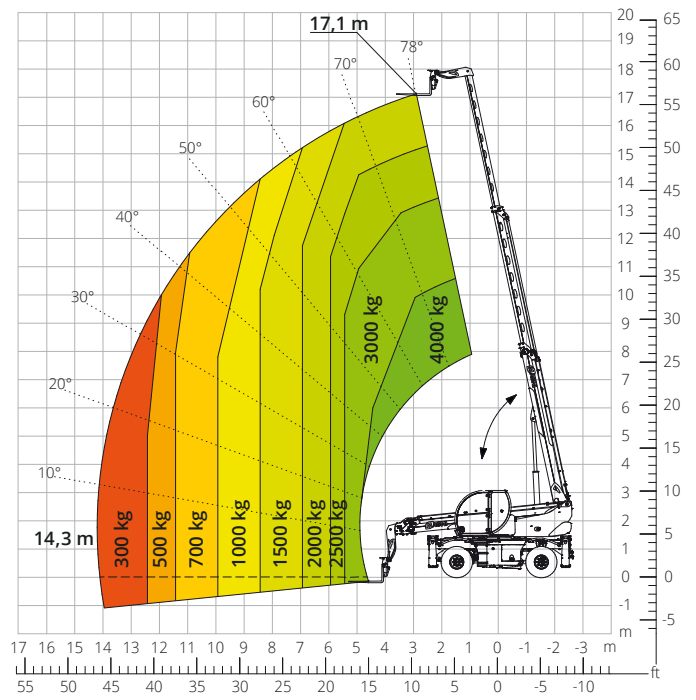
Load chart with  
**FULLY EXTENDED STABILISERS (360°)**

ATT - 03 - 001



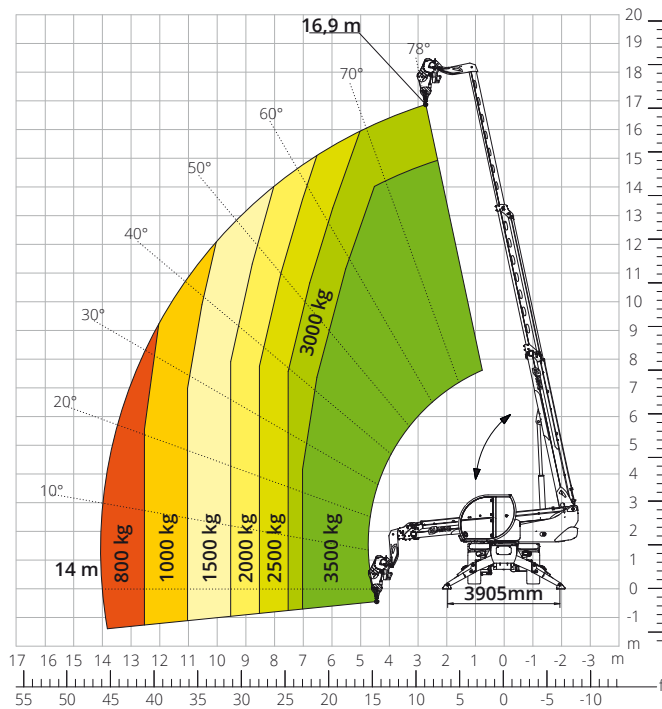
Load chart  
**FRONT ATTACHMENT ON TYRES**

ATT - 03 - 001



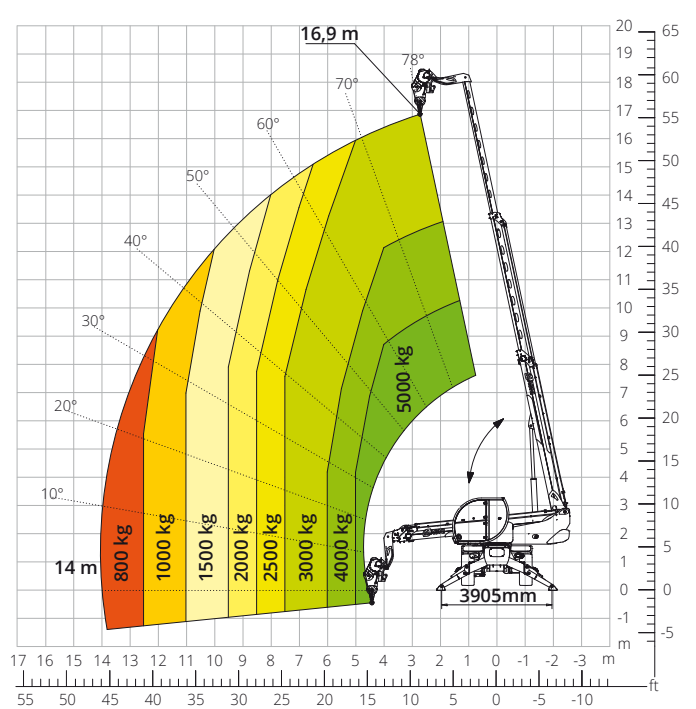
Load chart with  
**WINCH 3,500 kg**

ATT - 02 - 002

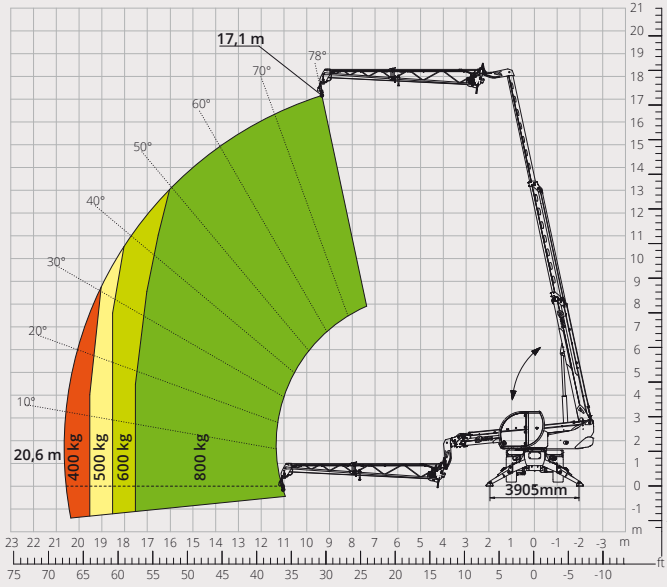


Load chart with  
**WINCH 5,000 kg**

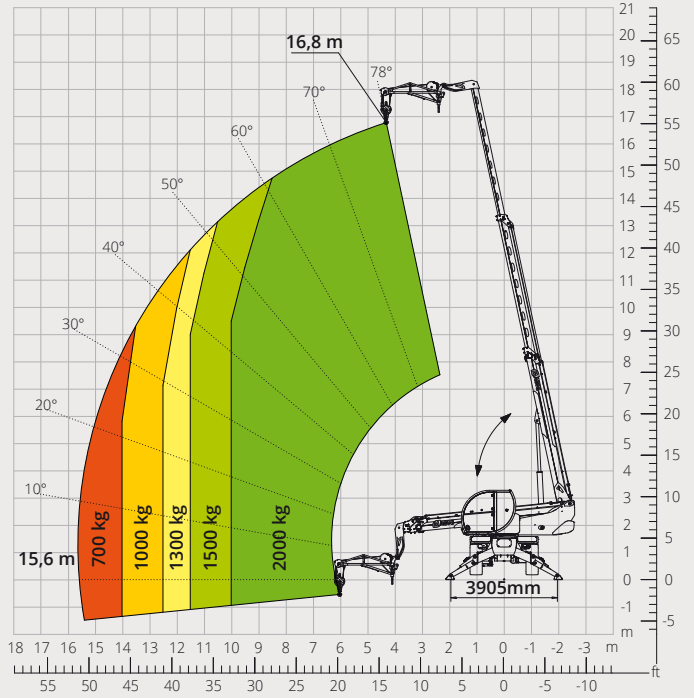
ATT - 02 - 019



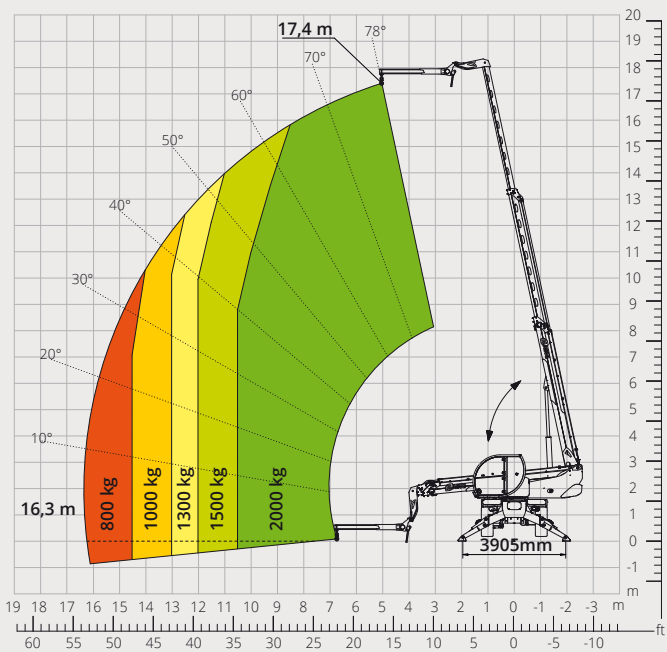
Load chart with  
**JIB WITH WINCH 800 kg**  
 ATT - 04 - 005



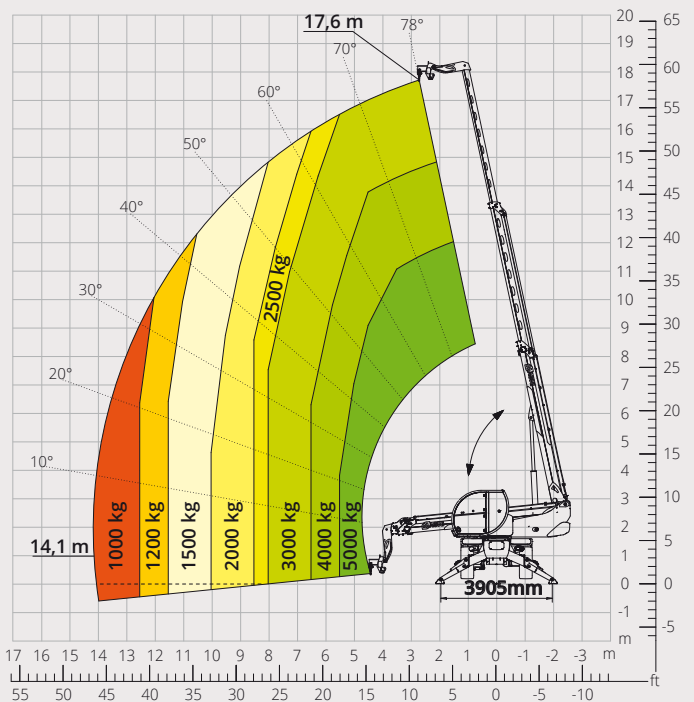
Load chart with  
**JIB WITH WINCH 2,000 kg**  
 ATT - 04 - 015



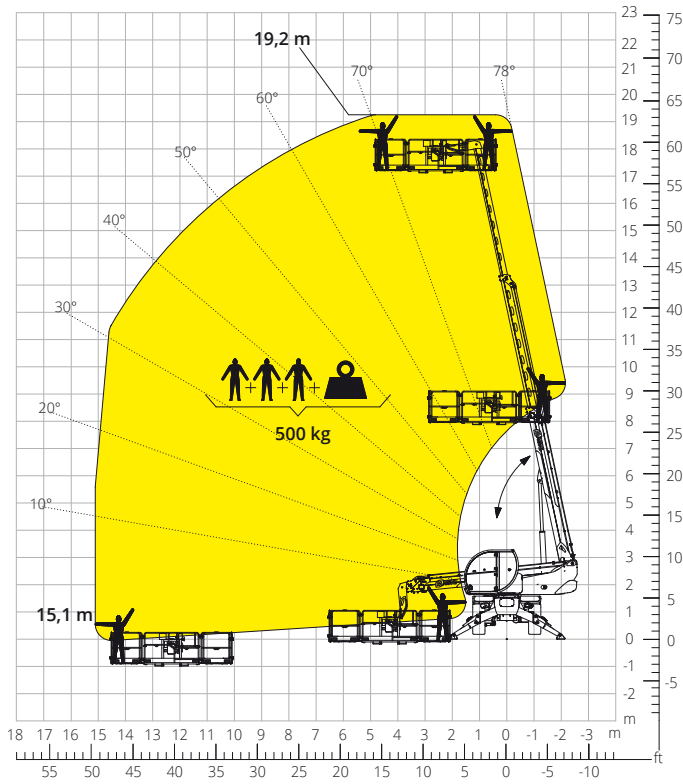
Load chart with  
**JIB 2,000 kg**  
 ATT - 04 - 013



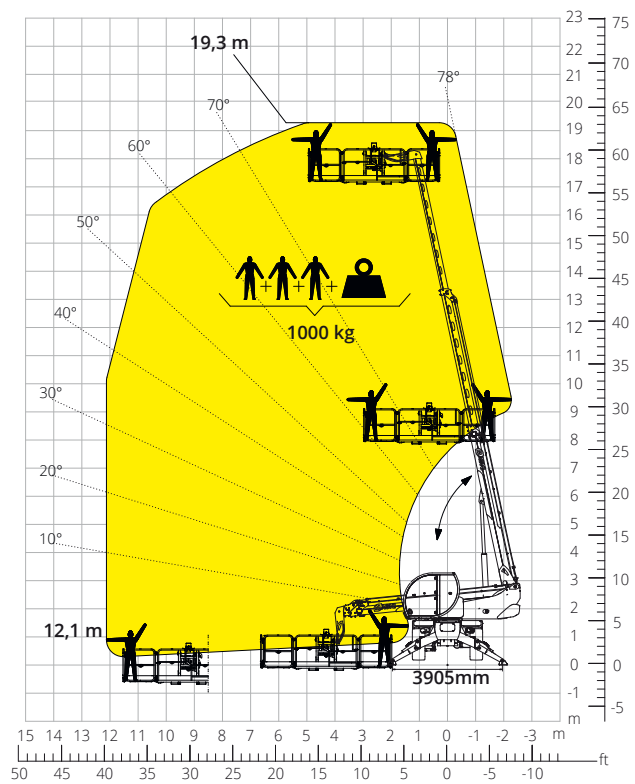
Load chart with  
**HOOK 5,000 kg**  
 ATT - 05 - 014



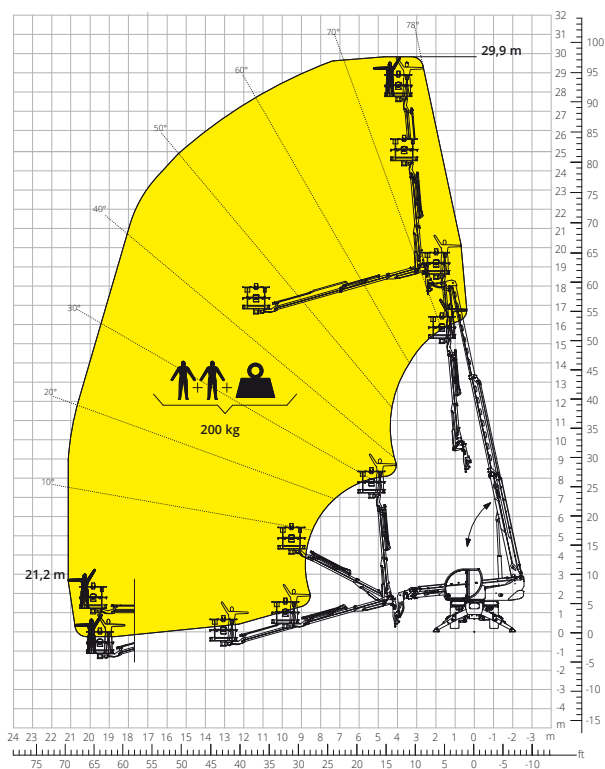
Load chart with  
**ROTATING EXTENDABLE PLATFORM**  
**500 kg**  
ATT-01-007



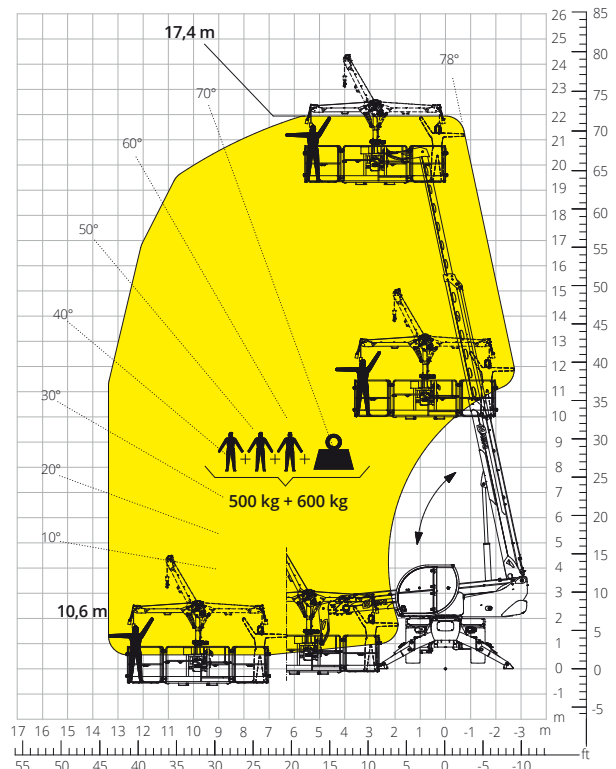
Load chart with  
**ROTATING EXTENDABLE PLATFORM**  
**1,000 kg**  
ATT - 01 - 016



Load chart with  
**TELESCOPIC PLATFORM 200 kg - 10 m**  
ATT - 01 - 022



Load chart with  
**PLATFORM 500 kg WITH WINCH 600 kg**  
ATT - 01 - 026



<b>Machine model</b>	Rotating telescopic handler	RTH 5.18	
	Maximum lifting capacity	4,999 kg	
	Maximum lifting height	17.40 m	
	Maximum reach	14.50 m	
	Rotation	360° (continuous)	
<b>Stabilisers</b>	Type	Pivoting	
<b>Engine</b>	Model	<b>Deutz TCD 3,6 L4 EDG Stage IIIA</b>	<b>Deutz TCD 3,6 L4 HT Stage V</b>
	Rated power	55.4 kW (75.3 hp) at 2,200 rpm	
	Maximum torque	390 Nm at 1,300 rpm	405 Nm at 1,300 rpm
	Displacement	3,6 l	
	Cylinders	4 in line	
	Engine type	Turbocharged direct injection diesel	
	Cooling system	Water – intercooler	
<b>Transmission</b>	Type	Hydrostatic	
	Maximum pressure	480 bar	
	Gearbox	Dropbox, 2 speeds forward-reverse	
<b>Axles and brakes</b>	Type	Axles with planetary gearboxes	
	Front axle	Steering	
	Rear axle	Oscillating and steering with hydraulic lock	
	No. of driving/steering wheels	4WD - 4WS	
	Steering mode	Frontal/Concentric/Crab	
	Service brake	Wet multi-disk on front and rear axle	
	Parking brake	Hydraulic with negative action on front axle	
	Tyre sizes	445/65 R19.5	
<b>Performance</b>	Max. travel speed	25 km/h	
	Gradeability (unladen)	51%	
	Turning radius (at forks)	6,050 mm	
<b>Weights</b>	Total unladen*	14,400 kg	
	Front axle unladen (boom retracted and lowered)*	6,300 kg	
	Rear axle unladen (boom retracted and lowered)*	8,100 kg	
<b>Tank and system capacities</b>	Diesel fuel	175 l	175 l
	AdBlue	-	-
	Hydraulic fluid	107 l	107 l
	Engine oil	9 l	9 l
	Coolant	20 l	20 l
<b>Hydraulic circuit for movements</b>	Circuit type	Load sensing	
	Service pump	Variable displacement	
	Max. hydraulic flow rate	90 l/min	
	Max. boom head flow rate	75 l/min	
	Max. working pressure	350 bar	
	Distributor for boom and turret movements	SIL 2 electro-proportional valve	
	Movements control	Dual joystick with integrated manoeuvre enable	
<b>Standards met</b>	2006/42/EC: EU Machinery Directive		
	2016/1628: EU Regulation on the emissions of stage V engines		
	EN 1459-X: Relating to standards on the safety requirements for variable reach machines		
	EN 280-1/EN 280-2: standards relating to mobile elevating work platforms (if available)		
	ROPS/level 2 FOPS: relating to the standards for protective structures		

*The data given in this brochure are provided for information purposes and are subject to change without prior notice.*

*All images are purely guideline and might not give an exact representation of the product.*

*\*the stated weight refers to the vehicle unladen with standard equipment and may vary depending on the chosen configuration.*

## The standard machine configuration includes:

### CAB

- “Easy access” system
- Comfort seat
- Adjustable steering column
- Analogue joypad
- Adjustable sunblind
- Heating
- Air conditioning
- FM/AM radio with USB and Bluetooth connectivity
- Ambient LED lights
- USB Type-A and Type-C (5 V) inputs

### REAL TIME INFORMATION

- Touchscreen, 7”
- MCTS – Magni Combi Touch System on-board software
- Automatic RFID tools recognition system
- LMI – Load Moment Indicator
- LLD – Live Load Diagram
- Onboard and remote integrated diagnostics
- Reversing camera with image integrated in the MCTS

### TECHNICAL SPECIFICATIONS

- Q-Fit standard
- Provision for platform
- Advanced three-line CAN BUS system
- Automatic levelling system for outriggers
- Automatic front and rear wheel alignment
- Standard turret rotation motor
- Automatic parking brake
- Mechanical battery cut-off in engine compartment
- Electrical system: 24 V – IP67

### SERVICE

- MyMagni by Trackunit connectivity system (2 years)
- Warranty: 24 months/2,000 hours