



CONSTRUCTION



LOGISTICS



MINING &  
QUARRYING



OIL



**TH**

**7.10**

TH  
7.10



**CAB**

Best-in-class  
safety and visibility



**PERFORMANCE**

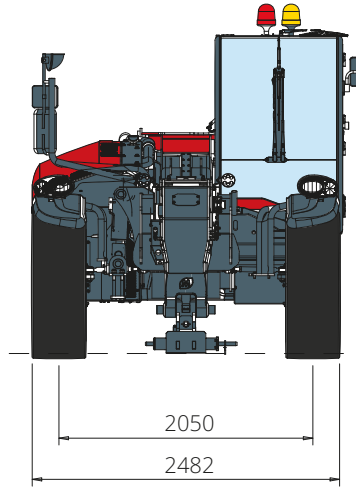
Unrivalled lifting  
performance



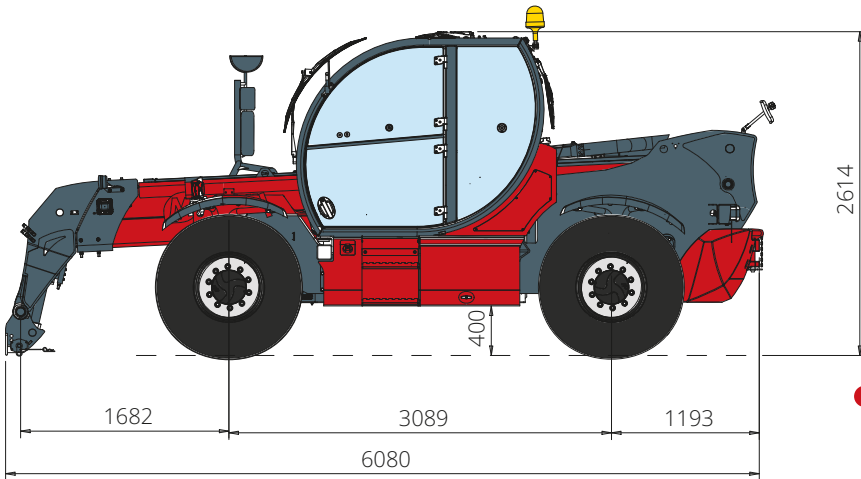
**LOAD LIVE DIAGRAM**

Two real-time dynamic  
load charts

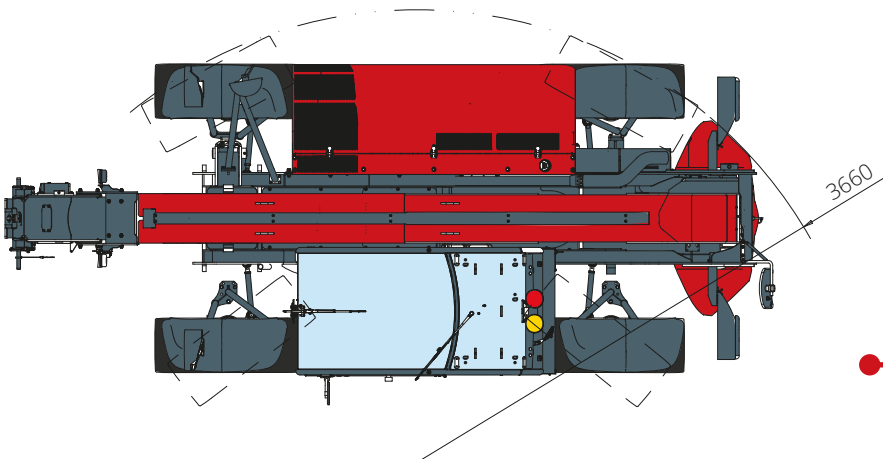
**DIMENSIONS (mm)**



**FRONT**  
view



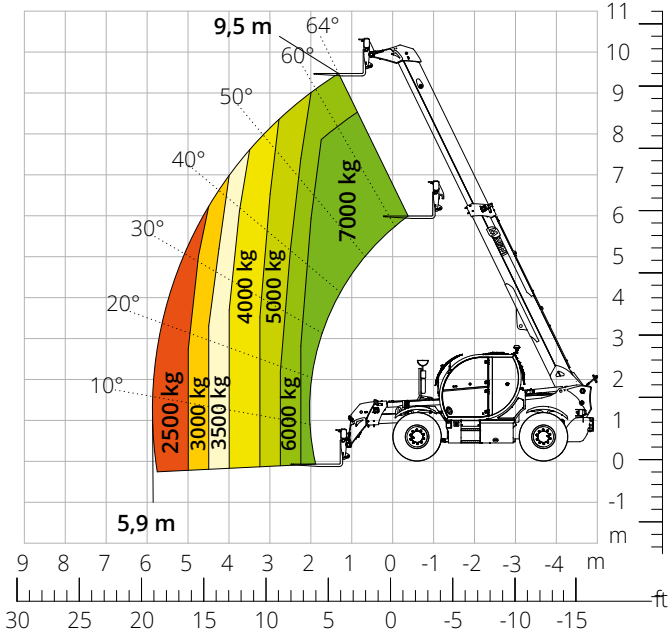
**SIDE**  
view



**TOP**  
view

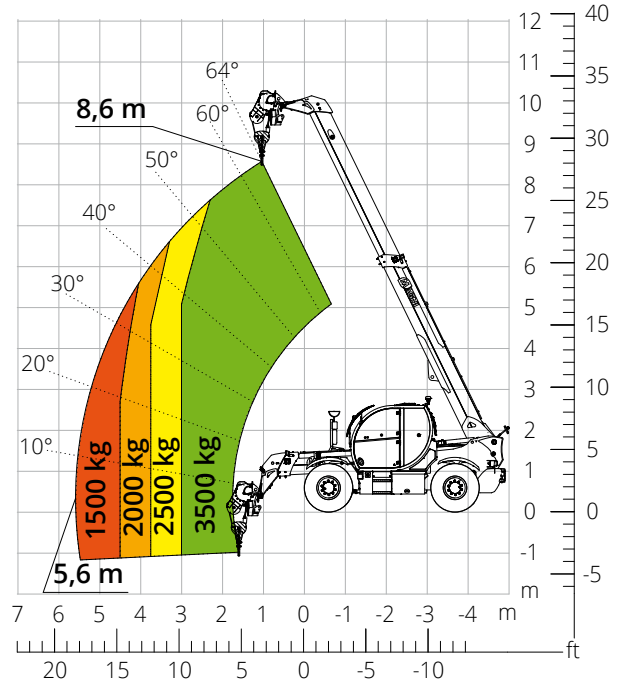
Load chart  
**FRONT ATTACHMENT ON TYRES**

ATT - 03 - 011



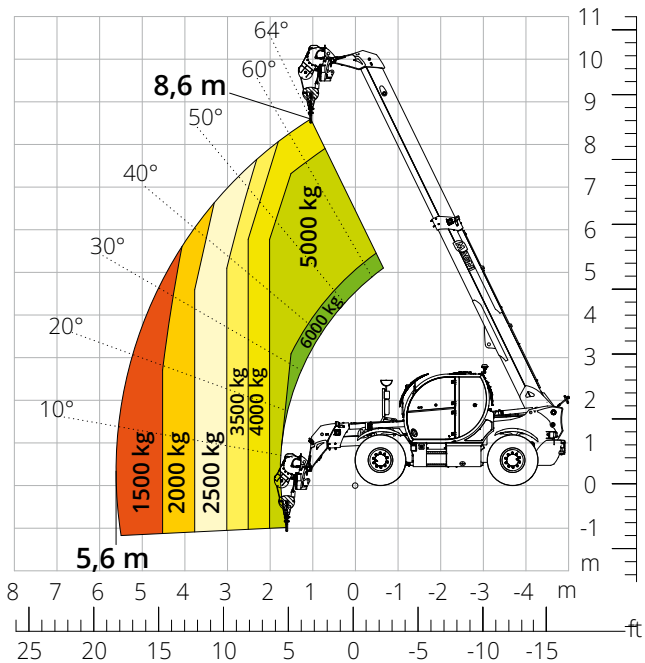
Load chart with  
**WINCH 3,500 kg**

ATT - 02 - 002



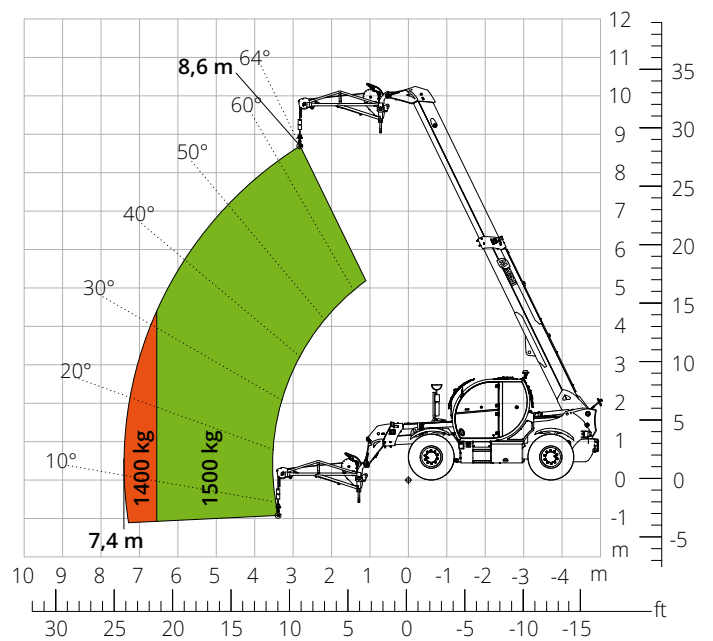
Load chart with  
**WINCH 6,000 kg**

ATT - 02 - 004

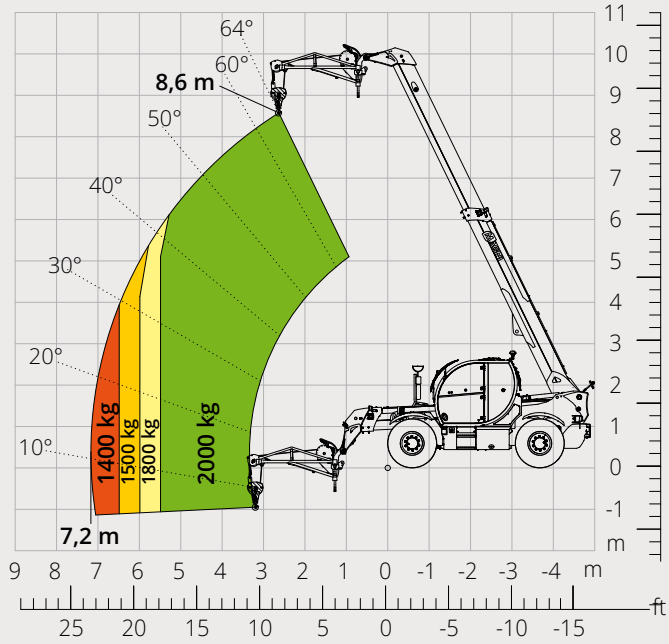


Load chart with  
**JIB WITH WINCH 1,500 kg**

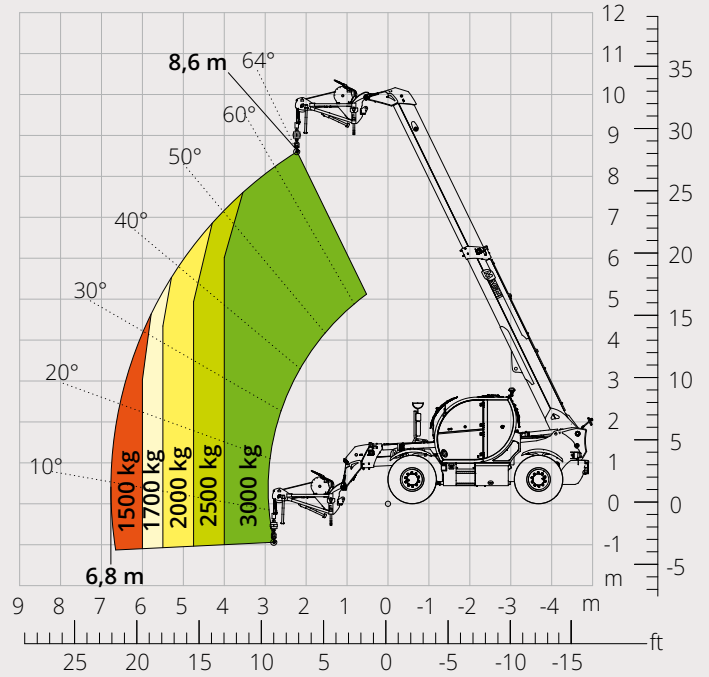
ATT - 04 - 011



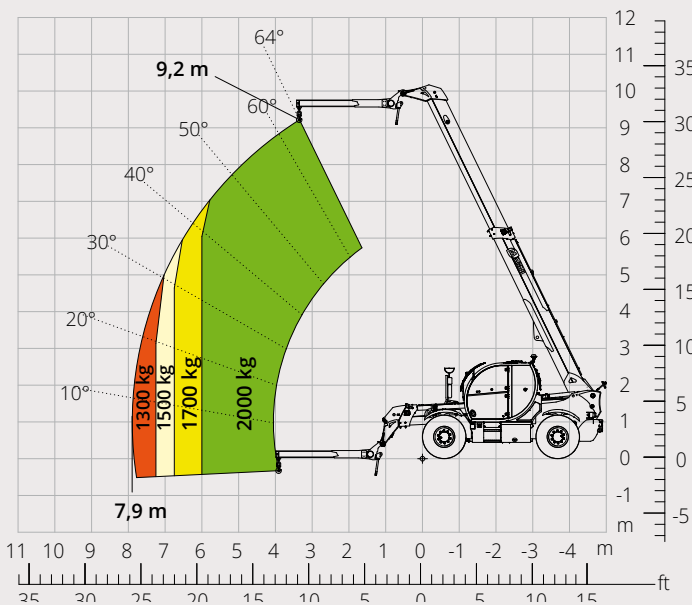
Load chart with  
**JIB WITH WINCH 2,000 kg**  
 ATT - 04 - 015



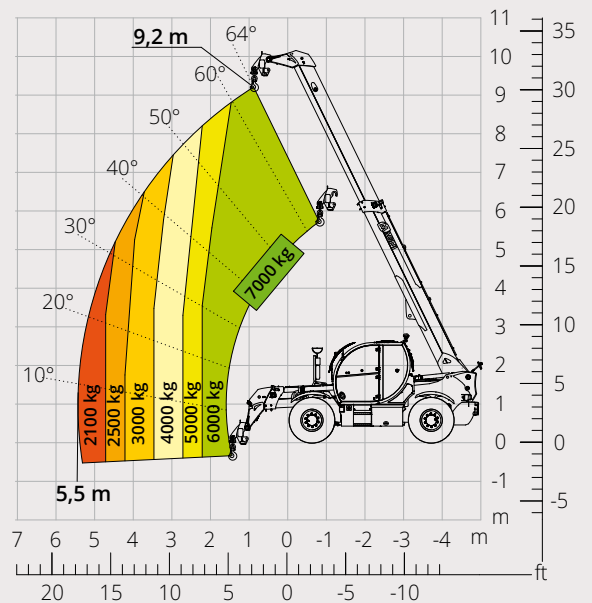
Load chart with  
**JIB WITH WINCH 3,000 kg**  
 ATT - 04 - 019



Load chart with  
**JIB 2,000 kg**  
 ATT - 04 - 013

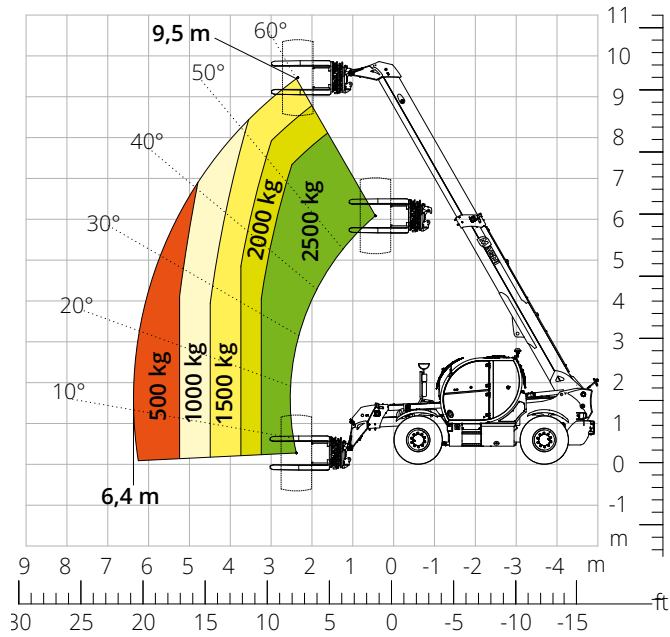


Load chart with  
**HOOK, 7,000 kg**  
 ATT - 05 - 002



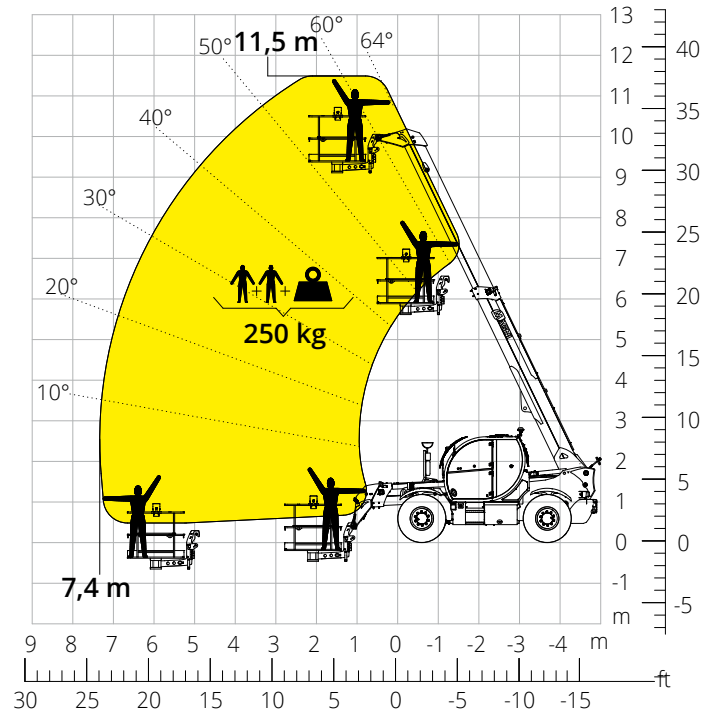
Load chart with  
**TYRE HANDLER, 2,500 kg**

ATT - 06 - 003



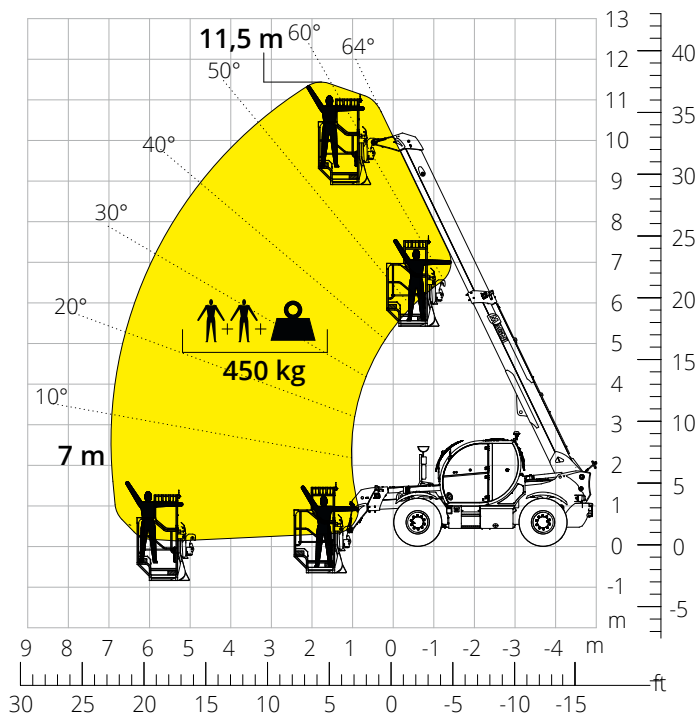
Load chart with  
**FIXED EXTENDABLE PLATFORM, 250 kg**

ATT - 01 - 003



Load chart with  
**PLATFORM, 450 kg, FOR MINES**

ATT - 01 - 027



<b>Machine model</b>	Telescopic handler	TH 7.10	
	Maximum lifting capacity	7,000 kg	
	Maximum lifting height	9.50 m	
	Maximum reach	5.90 m	
<b>Stabilizer</b>	Type	-	
<b>Engine</b>	Model	<b>Deutz TCD 3,6 L4 EDG Stage IIIA</b>	<b>Deutz TCD 3,6 L4 Stage V</b>
	Rated power	55.4 kW (75.3 hp) at 2,200 rpm	
	Maximum torque	390 Nm at 1,300 rpm	405 Nm at 1,300 rpm
	Displacement	3,6 l	
	Cylinders	4 in line	
	Engine configuration	Turbocharged direct injection diesel	
	Cooling system	Water – intercooler	
	<b>Transmission</b>	Type	Hydrostatic
Maximum pressure		500 bar	
Gear box		Dropbox, 2 speeds forward-reverse	
<b>Axles and brakes</b>	Type	Axles with planetary gearboxes	
	Front axle	Oscillating and steering with levelling, +/-8°	
	Rear axle	Oscillating and steering with hydraulic lock	
	No. of driving/steering wheels	4WD - 4WS	
	Steering mode	Frontal/Concentric/Crab	
	Service brake	Wet multi-disk on front and rear axle	
	Parking brake	Hydraulic with negative action on front axle	
	Tyres dimensions	445/65 R22.5	
<b>Performance</b>	Max. travel speed	25 km/h	
	Gradeability (unladen)	59%	
	Turning radius (end of forks)	NA	
<b>Weights</b>	Total unladen*	11,900 kg	
	Front axle unladen (boom retracted and lowered)*	3,900 kg	
	Rear axle unladen (boom retracted and lowered)*	8,000 kg	
<b>Tank and system capacities</b>	Fuel tank	145 l	
	AdBlue	-	
	Hydraulic oil tank	93 l	
	Engine oil tank	9 l	
	Cooling liquid	20 l	
<b>Hydraulic circuit for movements</b>	Circuit type	Load sensing	
	Service pump	Variable displacement	
	Max. hydraulic flow rate	90 l/min	
	Max. boom head flow rate	75 l/min	
	Max. operating system pressure	350 bar	
	Controls for boom movements	SIL 2 electro-proportional valve	
	Movements control	1 joystick with integrated manoeuvre enable	
<b>Standard met</b>	2006/42/EC: EU Machinery Directive		
	2016/1628: EU Regulation on the emissions of stage V engines		
	EN 1459-X: Relating to standards on the safety requirements for variable reach machines		
	EN 280-1/EN 280-2: standards relating to mobile elevating work platforms (if available)		
	ROPS/level 2 FOPS: relating to the standards for protective structures		

*The data given in this brochure are provided for information purposes and are subject to change without prior notice.*

*All images are purely guideline and might not give an exact representation of the product.*

*\*the stated weight refers to the vehicle unladen with standard equipment and may vary depending on the chosen configuration.*

The standard machine configuration includes:

## CAB

- Comfort seat with adjustable headrest
- Adjustable steering column
- Analogue joypad
- Adjustable sunblind
- Heating
- Ambient LED lights
- USB Type-A and Type-C (5 V) inputs

## REAL TIME INFORMATION

- Touchscreen, 7"
- MCTS – Magni Combi Touch System on-board software
- Automatic RFID tools recognition system
- LMI – Load Moment Indicator
- LLD – Live Load Diagram
- Onboard and remote integrated diagnostics

## TECHNICAL SPECIFICATIONS

- Q-Fit standard
- Advanced three-line CAN BUS system
- Automatic front and rear wheel alignment
- Automatic parking brake
- Mechanical battery cut-off in engine compartment
- Electrical system: 24 V – IP67

## SERVICE

- Warranty: 24 months/2,000 hours