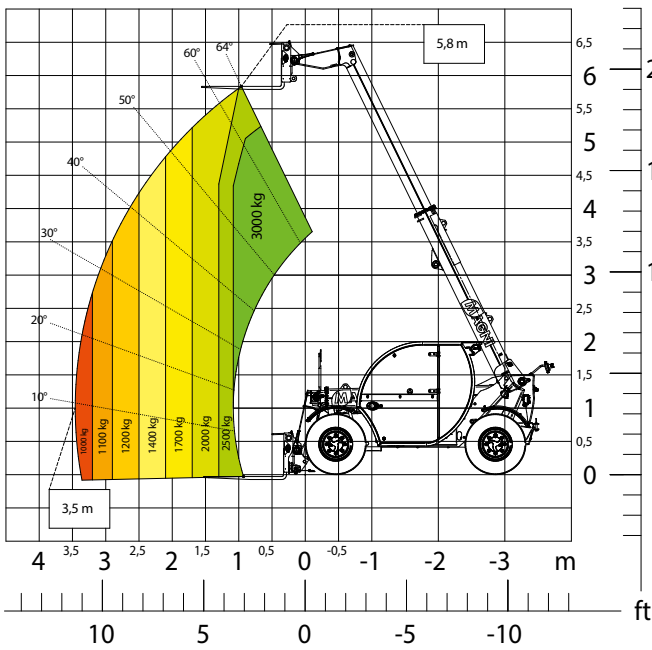


THA

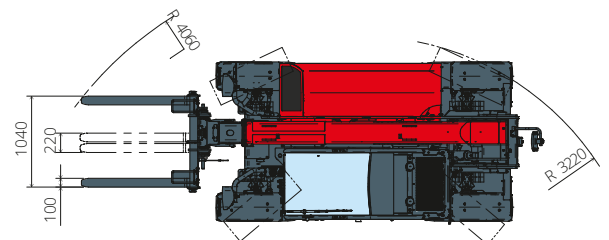
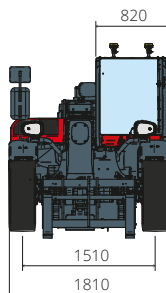
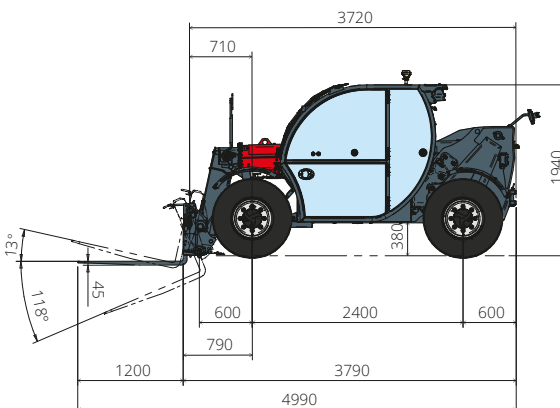


3.6

PRELIMINARY



AGRICULTURE



Machine model	Telescopic handler	THA 3.6
	Maximum lifting capacity	3,000 kg
	Maximum lifting height	5.80 m
	Maximum reach	3.50 m
Engine	Model	Deutz TCD 2,9 L4 EDG Stage IIIA Deutz TCD 2,9 L4 Stage V
	Rated power	55.4 kW (75.3 hp) at 2,600 rpm
	Maximum torque	260 Nm at 1,600 rpm
	Displacement	2.9 l
	Cylinders	4 in line
	Engine type	Turbocharged direct injection diesel
	Cooling system	Water
Transmission	Type	Hydrostatic
	Maximum pressure	500 bar
	Gearbox	Direct drive 2 speed
Axles and brakes	Type	Axles with planetary gearboxes
	Front axle	Steering
	Rear axle	Free oscillation
	No. of driving wheels - steering wheels	4WD - 4WS
	Steering modes	Frontal/Concentric/Crab
	Service brake	Wet multi-disk on front axle
	Parking brake	Hydraulic with negative action on front axle
	Tyre sizes	12.0/75 R18
Performance	Max. travel speed	35 km/h
	Turning radius (at forks)	4,060 mm
	Traction force	4,250 daN
	Total unladen*	5,000 kg
Weights	Front axle unladen (boom retracted and lowered)*	2,100 kg
	Rear axle unladen (boom retracted and lowered)*	2,900 kg
	Diesel fuel	65 l
Tank and system capacities	AdBlue	-
	Hydraulic fluid	85 l
	Engine oil	9 l
	Coolant	15 l
Hydraulic circuit for movements	Circuit type	Gear pump
	Service pump	Fixed displacement
	Max. hydraulic flow rate	87 l/min
	Max. boom head hydraulic flow rate	75 l/m
	Max. working pressure	255 bar
	Distributor for boom movements	Electro-proportional valve
	Movements control	1 joystick with integrated manoeuvre enable
Road type approval	167/2013: Mother Regulation	T1a
Standards met	2006/42/EC: EU Machinery Directive 2000/14/EC: Noise Directive EN 1459-1: relating to standards on the safety requirements for variable-reach trucks EN 280-1: standards relating to mobile elevating work platforms (if available) 2014/30/EU: EMC Directive ROPS/level 2 FOPS: relating to the standards for protective structures	

The data given in this brochure are provided for information purposes and are subject to change without prior notice. All images are purely guideline and might not give an exact representation of the product.

*the stated weight refers to the vehicle unladen with standard equipment and may vary depending on the chosen configuration.