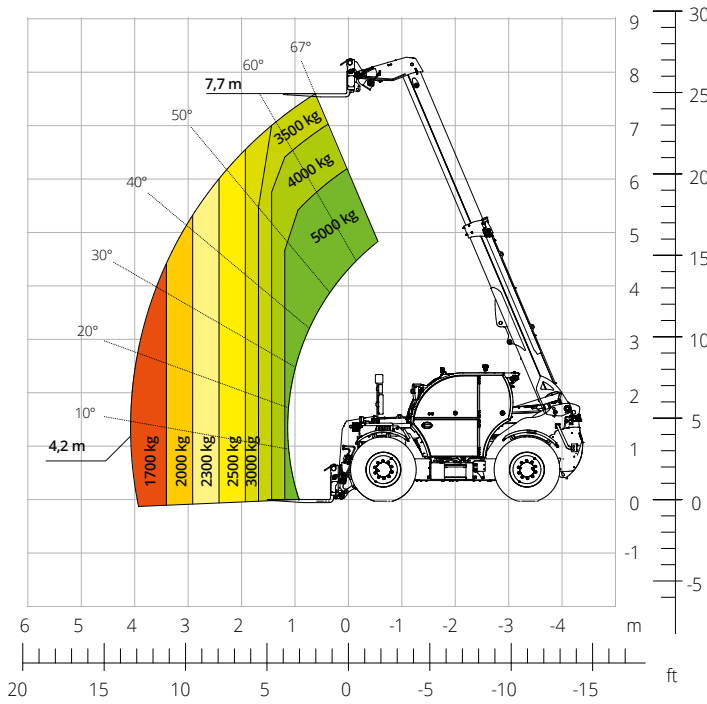


THA

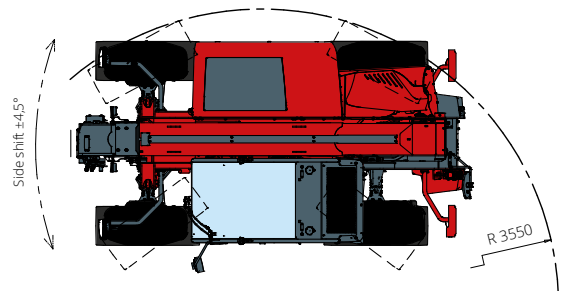
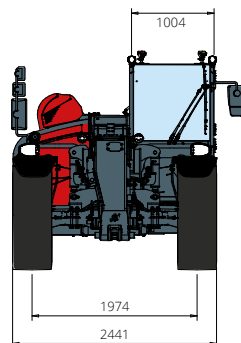
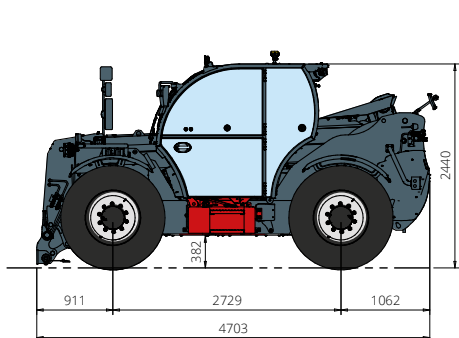


5.8

PRELIMINARY



AGRICULTURE



Machine model	Telescopic handler	THA 5.8
	Maximum lifting capacity	5,000 kg
	Maximum lifting height	7.7 m
	Maximum reach	4.2 m
Engine	Model	FPT N45 Stage V
	Rated power	125 kW (170 hp) at 2,200 rpm
	Maximum torque	712 Nm at 1,500 rpm
	Displacement	4.5 l
	Cylinders	4 in line
	Engine type	Turbocharged direct injection diesel
	Cooling system	Water - Intercooler
Transmission	Type	CVT – 2M
	Maximum pressure	480 bar
	Gearbox	Continuously variable
Axles and brakes	Type	Axles with planetary gearboxes
	Front axle	"Steering, oscillating only with suspensions activated with levelling, +/-7°"
	Rear axle	Steering, oscillating only with suspensions deactivated with hydraulic lock
	Sideshift	±4°
	No. of driving wheels - steering wheels	4WD - 4WS
	Steering modes	Frontal/Concentric/Crab
	Service brake	Wet carbon multi-disk on front and rear axles
	Parking brake	Hydraulic with negative action on front and rear axles
	Tyre sizes	460/70 R24
Performance	Max. travel speed	50 km/h
	Turning radius (at forks)	4,320 mm
	Traction force	11,000 daN
Weights	Total unladen*	9,200 kg
	Front axle unladen (boom retracted and lowered)*	4,000 kg
	Rear axle unladen (boom retracted and lowered)*	5,200 kg
Tank and system capacities	Diesel fuel	130 l
	AdBlue	20 l
	Hydraulic fluid	130 l
	Engine oil	13,5
Hydraulic circuit for movements	Circuit type	Electronic load sensing
	Service pump	Variable displacement
	Max. hydraulic flow rate	165 l/min
	Max. boom head hydraulic flow rate	100 l/min
	Max. working pressure	350 bar
	Distributor for boom movements	Electro-proportional valve
	Movements control	1 joystick with integrated manoeuvre enable
Road type approval	167/2013: Mother Regulation	T1b
Standards met	2006/42/EC: EU Machinery Directive 2000/14/EC: Noise Directive EN 1459-1: relating to standards on the safety requirements for variable-reach trucks EN 280-1: standards relating to mobile elevating work platforms (if available) 2014/30/EU: EMC Directive ROPS/level 2 FOPS: relating to the standards for protective structures	

The data given in this brochure are provided for information purposes and are subject to change without prior notice. All images are purely guideline and might not give an exact representation of the product.

*the stated weight refers to the vehicle unladen with standard equipment and may vary depending on the chosen configuration.