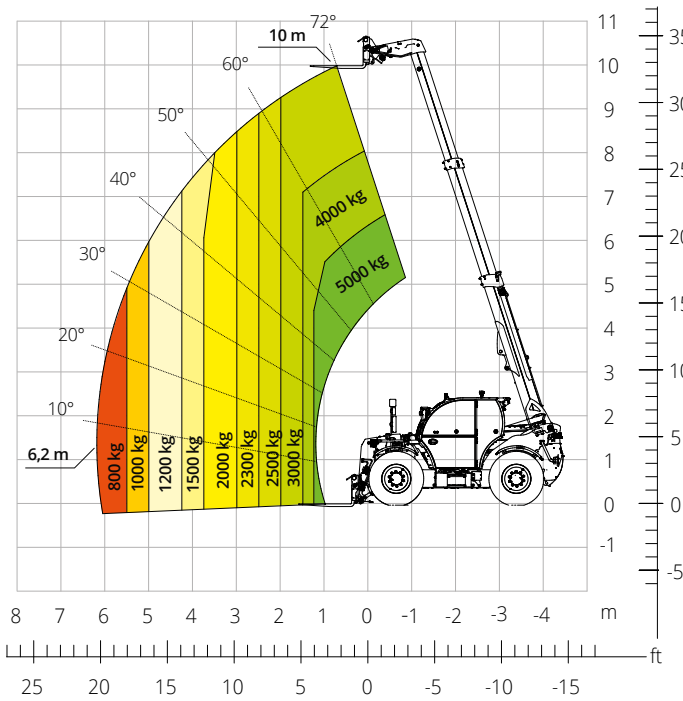


THA

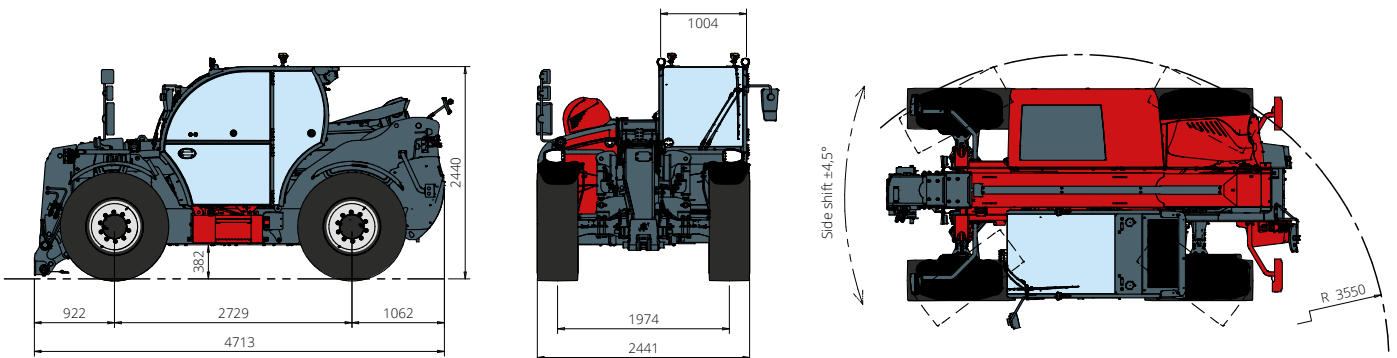


5.10

PRELIMINARY



AGRICULTURE



| | | |
|--|---|---|
| Machine model | Telescopic handler | THA 5.10 |
| | Maximum lifting capacity | 5,000 kg |
| | Maximum lifting height | 10 m |
| | Maximum reach | 6.2 m |
| Engine | Model | FPT N45 Stage V |
| | Rated power | 125 kW (170 hp) at 2,200 rpm |
| | Maximum torque | 712 Nm at 1,500 rpm |
| | Displacement | 4.5 l |
| | Cylinders | 4 in line |
| | Engine type | Turbocharged direct injection diesel |
| | Cooling system | Water - Intercooler |
| Transmission | Type | CVT – 2M |
| | Maximum pressure | 480 bar |
| | Gearbox | Continuously variable |
| Axles and brakes | Type | Axles with planetary gearboxes |
| | Front axle | Steering, oscillating only with suspensions activated with levelling, +/-7° |
| | Rear axle | Steering, oscillating only with suspensions deactivated with hydraulic lock |
| | Sideshift | ±4° |
| | No. of driving wheels - steering wheels | 4WD - 4WS |
| | Steering modes | Frontal/Concentric/Crab |
| | Service brake | Wet carbon multi-disk on front and rear axles |
| | Parking brake | Hydraulic with negative action on front and rear axles |
| | Tyre sizes | 460/70 R24 |
| Performance | Max. travel speed | 50 km/h |
| | Turning radius (at forks) | 4,330 mm |
| | Traction force | 11,000 daN |
| Weights | Total unladen* | 9,700 kg |
| | Front axle unladen (boom retracted and lowered)* | 4,200 kg |
| | Rear axle unladen (boom retracted and lowered)* | 5,500 kg |
| Tank and system capacities | Diesel fuel | 130 l |
| | AdBlue | 20 l |
| | Hydraulic fluid | 130 l |
| | Engine oil | 13,5 |
| Hydraulic circuit for movements | Circuit type | Electronic load sensing |
| | Service pump | Variable displacement |
| | Max. hydraulic flow rate | 165 l/min |
| | Max. boom head hydraulic flow rate | 100 l/min |
| | Max. working pressure | 350 bar |
| | Distributor for boom movements | Electro-proportional valve |
| | Movements control | 1 joystick with integrated manoeuvre enable |
| Road type approval | 167/2013: Mother Regulation | T1b |
| Standards met | 2006/42/EC: EU Machinery Directive 2000/14/EC: Noise Directive EN 1459-1: relating to standards on the safety requirements for variable-reach trucks EN 280-1: standards relating to mobile elevating work platforms (if available) 2014/30/EU: EMC Directive ROPS/level 2 FOPS: relating to the standards for protective structures | |