



# DTB16RT

This telescopic platform has a very low centre of gravity, resulting in excellent stability and outstanding lifting performance. It is equipped with a fuel-saving diesel engine and 4 drive wheels integrated into the axle for improved offroad performance.

## STANDARD EQUIPMENT

- Proportional controls
- Thumb rocker steering
- Flashing light
- Horn
- Hour counter
- Harsh Environment Kits
- 12V DC Auxiliary Power

## PERFORMANCE

- Front oscillating axles to match the terrain irregularities granting optimal adherence to the ground
- 2 Wheels Steering
- Four-wheel drive
- Positive traction four wheel drive
- 360° rotation (continuous)
- Integral Integrated Special Drive Axle

## ENGINE

- Stage V engine (Stage IIIA available upon request)
- Auto Engine Fault Shutdown
- Anti-reverse Engine Device
- Anti-restart Engine Protection
- Hydraulic oil radiator

## BASKET

- Self levelling platform
- Rotating basket +/-90°
- Power to platform

## SAFETY

- Drive enable system
- Platform load sense system
- On-board diagnostics system
- Tilt indicator with alarm
- Crushing protection
- Emergency lowering system

## STANDARD EQUIPMENT



Construction



Large Events



Aircraft maintenance  
Ship repair



Plant Service



Oil & gas

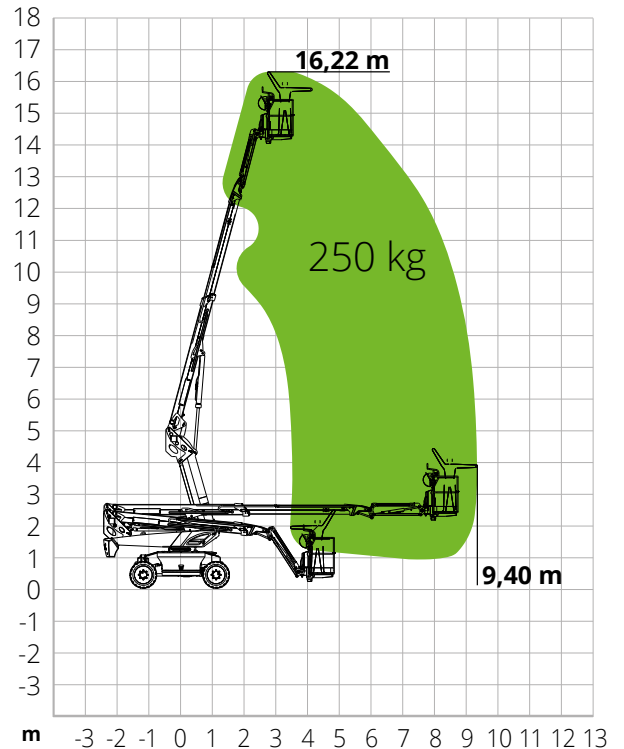


Restoration

## DTB16RT

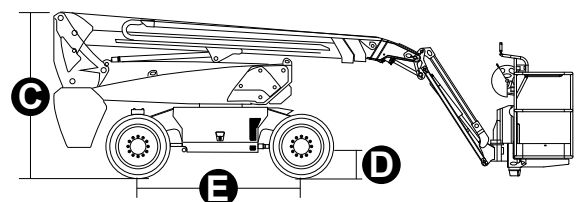
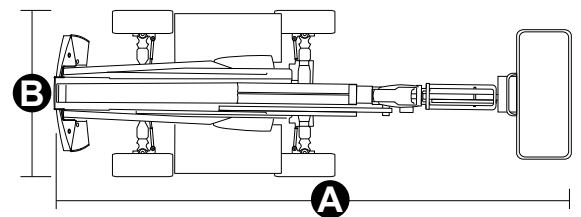
|                                |                   |
|--------------------------------|-------------------|
| Max. working height            | 16.22 m           |
| Max. basket height             | 14.22 m           |
| Max. reach                     | 9.40 m            |
| Max. platform load capacity    | 250 kg            |
| Max. Occupants                 | 2                 |
| Max. gradeability (stowed)     | 40%               |
| Max. working slope             | X-5°/Y-5°         |
| Max. wind speed                | 12.5 m/s          |
| Turning radius (outside)       | 4.49 m            |
| Turning radius (inside)        | 2.92 m            |
| Turret rotation (continuous)   | 360°              |
| Jib type                       | Regular           |
| Jib length                     | 1.5 m             |
| Jib movement                   | -                 |
| Jib vertical rotation          | 132°              |
| Basket width                   | 0.79 m            |
| Basket length                  | 2.92 m            |
| Basket rotation                | 180°              |
| Total weight                   | 6,130 kg          |
| Travel speed (closed config.)  | 6.0 km/h          |
| Travel speed (working config.) | 1.1 km/h          |
| Tyres                          | 315/55D20         |
| Engine                         | Kubota D1105/18kW |
| Diesel tank capacity           | 115 l             |
| Hydraulic tank capacity        | 145 l             |
| Electrical system              | -                 |
| Emergency power system         | -                 |
| Transmission                   | Hydrostatic       |

## LOAD CHART



## DIMENSIONS

|                             |        |
|-----------------------------|--------|
| <b>A</b> Platform length    | 7.37 m |
| Platform length (transport) | 5.49 m |
| <b>B</b> Platform width     | 5.49 m |
| Platform width (transport)  | 2.33 m |
| <b>C</b> Platform height    | 2.49 m |
| Platform height (transport) | 2.60 m |
| <b>E</b> Wheelbase          | 2.30 m |
| Tailswing                   | 1.24 m |
| <b>D</b> Ground clearance   | 0.31 m |



STANDARDS COMPLIANCE: EN 280, ANSI/SAIA A92.20

# #LIFTDIFFERENT

www.magnith.com



The data in this brochure are provided for the purposes of information and subject to change without notice.