

OPTIONAL COLLECTION





**Quality, craftsmanship and innovation.
The secret lies in precision. Having clear ideas is vital:
we need to know where we want to go and what we want to create.
And at Magni, we throw our all into accomplishing it.**

Riccardo Magni - President

Magni Telescopic Handlers was founded in 2013. Thus, began the development of the widest range of rotating telescopic handlers on the market; from rotating telescopic handlers to fixed, heavy-duty models and construction fixed boom telehandlers. Italy was no longer enough and so six fuRTHer branches have been set up: Magni TH France, Magni UK, Magni America, Magni Deutschland, Magni SA and Magni Asia Pacific. To offer our clients the best technical and commercial service around, we have created a network of over 300 dealers, a number that is constantly increasing. And that is just the beginning of our story.

OPTIO NAL COLLEC TION



01

CARE & COMFORT

Magni gives full attention to operator comfort. Small details are the proof that **Magni** put all its efforts into having the maximum results of care and construction precision.

SECTION 1-1

02

PERFORMANCE & WORKING EXPERIENCE

Everything revolves around excellent performances that make using a **Magni** a unique experience. An experience where the operator is the center, who will be able to do his best during working hours.

SECTION 2-1

03

SAFE & SECURE

Safety at **Magni** means products that comply with the latest regulations on health and safety in any working place and building site.

SECTION 3-1



04

SPECIAL CERTIFICATIONS

Magni offers its network special certifications required for various markets. Search for the one you require.

SECTION 4-1

05

SPECIAL

For each special application **Magni** has the right solution, that allow you to do the job in complete safety and enhance the machine's performances.

SECTION 5-1



MAGNI

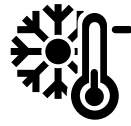
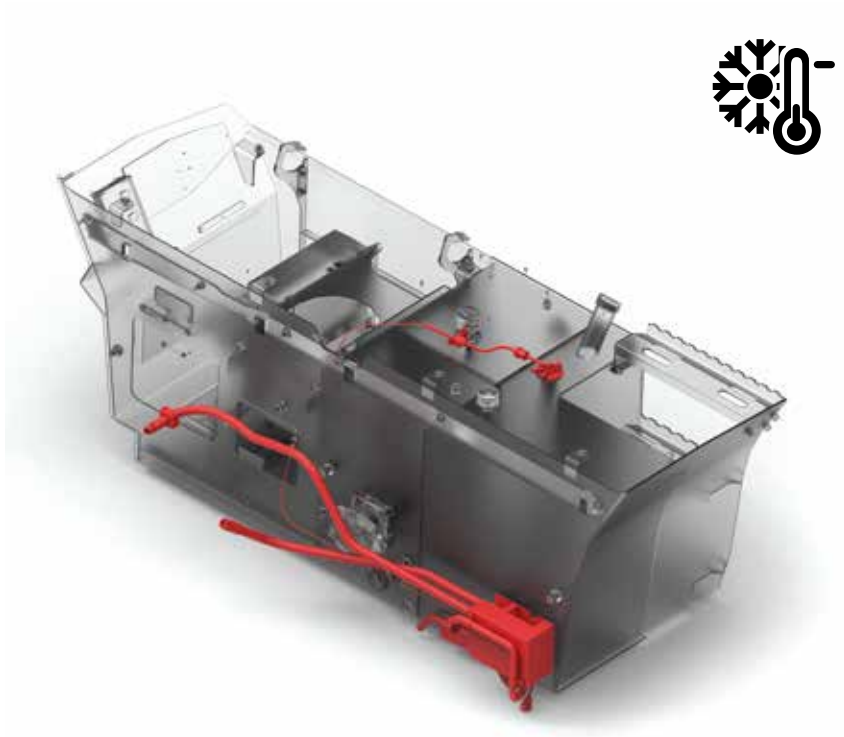
MAGNI

1078



CARE & COMFORT

Magni gives full attention to operator comfort. Small details are the proof that **Magni** put all its efforts into having the maximum results of care and construction precision.



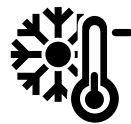
ADDITIONAL HEATER 24 V (EBERSPÄCHER)

OPT-01-002

Option composed of a programmable auxiliary burner which allows the cab to be heated in cold weather in order to improve operator comfort.

Existing kit

RTH - HTH - TH



REMOTE CONTROL FOR ADDITIONAL HEATER 24 V (EBERSPÄCHER)

OPT-01-003

An additional option to make cab pre-heating even more practical and functional by allowing remote operation.



Existing kit

RTH - HTH - TH



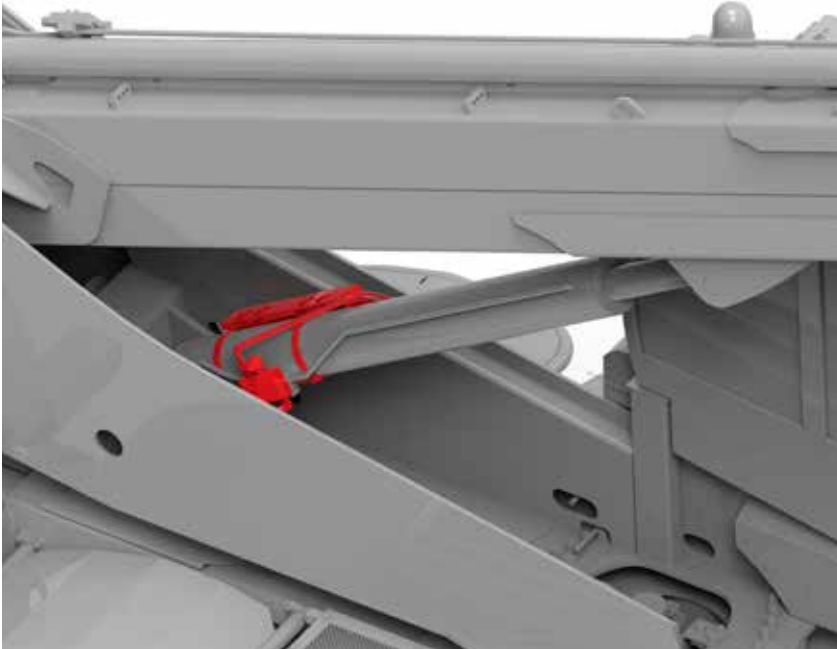
BOOM SUSPENSION

OPT-01-001

Option for users who need to drive the machine over rough terrain while carrying material on forks. It helps improve overall driving comfort by absorbing and significantly reducing vibrations caused by rough and uneven ground, reducing spillages and making for a generally smoother ride.

Existing kit

RTH - HTH - TH



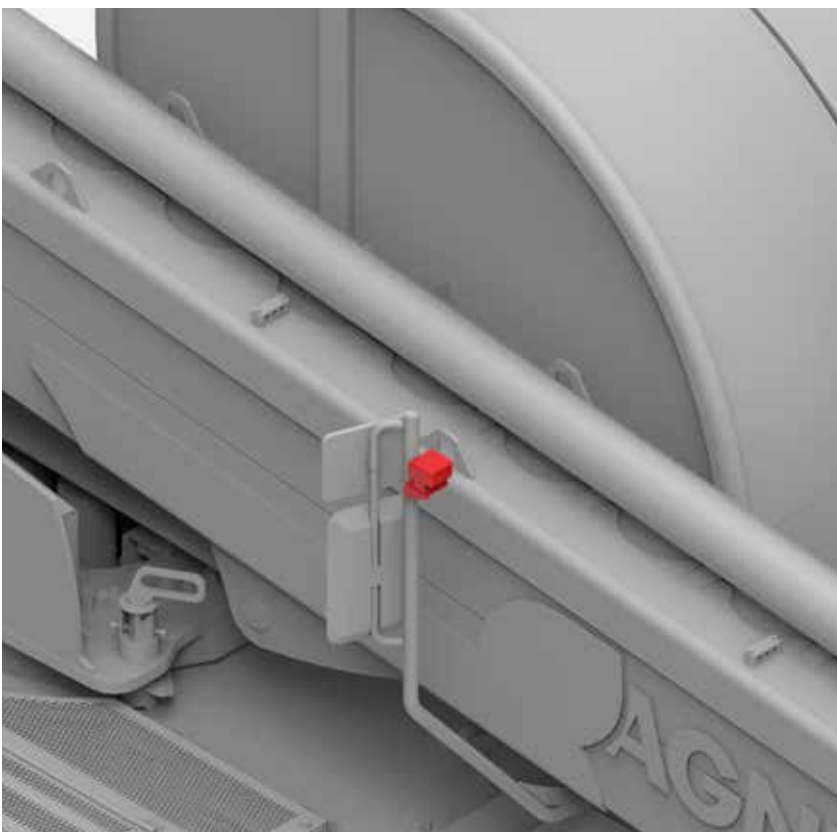
No.1 CAMERA ON RIGHT HAND SIDE

OPT-01-004

Video camera installed on the right hand side of the machine to increase visibility and thereby safety when manoeuvring. Thanks to the monitor in the cab it is possible to check any blind spot. Wireless colour video camera with microphone and audio.

Existing kit

RTH - HTH





No.1 WIRELESS CAMERA ON THE REAR

OPT-01-005

Video camera installed on the rear of the machine to increase visibility and thereby safety when manoeuvring. Thanks to the monitor in the cab it is possible to check any blind spot. Wireless colour video camera with microphone and audio. Included also in the kit one monitor with support and 2 magnetic antennas 3 d(B).

Existing kit

RTH - HTH - TH 6.20



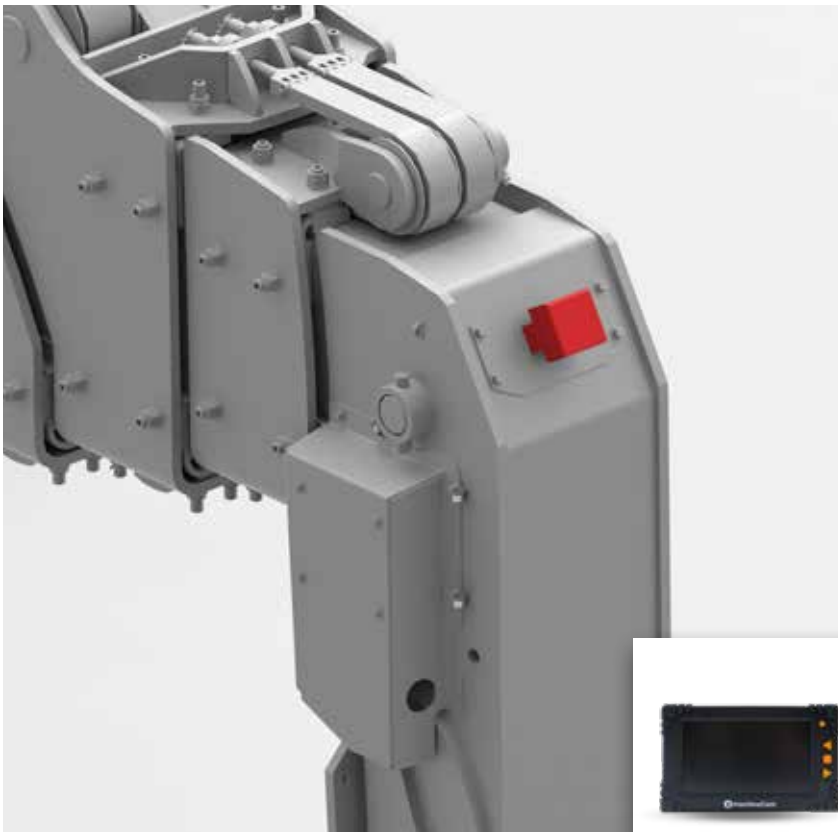
No.1 WIRED CAMERA ON THE REAR

*OPT-01-020 (TH 5,5.15/TH 5,5.19/TH 6.10)
OPT-01-021 (TH 5.8 / THU 5.8)*

Video camera installed on the rear of the machine to increase visibility and thereby safety when manoeuvring. Thanks to the monitor in the cab it is possible to check any blind spot.

Existing kit

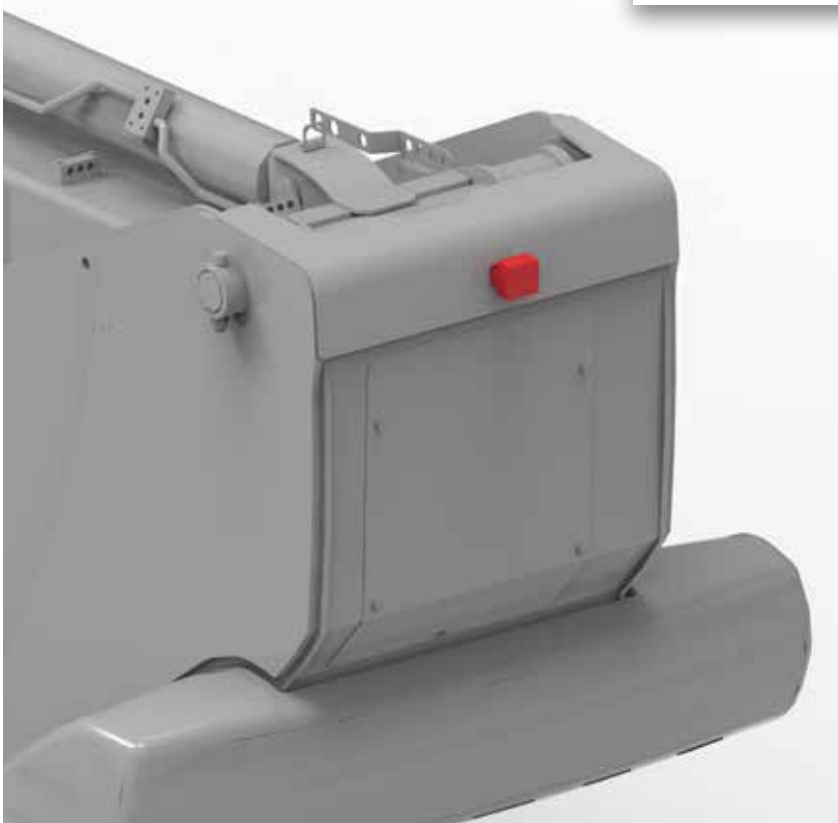
TH



No.2 CAMERAS (FRONT + REAR WIRELESS + MONITOR IN THE CAB)

OPT-01-006

Option composed of two wireless video cameras installed on the top of the boom and on the rear of the machine to increase visibility and thereby safety when manoeuvring, as the area can be viewed on the monitor in the cab. Wireless colour video camera with microphone and audio. Included also in the kit one monitor with support and 3 magnetic antennas (2 at 3 d(B) and 1 at 5 d(B)).



Existing kit
RTH - HTH

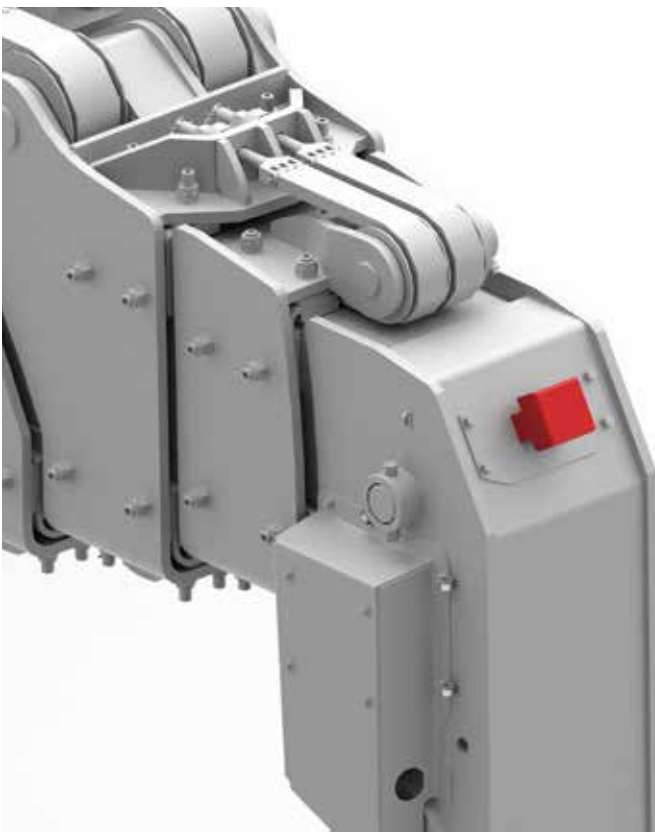


No.3 CAMERAS (2 FRONT + 1 REAR WIRELESS + MONITOR IN THE CAB)

OPT-01-007

Option composed of three wireless video cameras, one installed in the top of the boom, one on the right hand side and the last one on the rear of the machine to increase visibility and thereby safety when manoeuvring. Thanks to the monitor in the cab it is possible to check any blind spot. Wireless colour video camera with microphone and audio. Included also in the kit one monitor with support and 4 magnetic antennas (2 at 3 d(B) and 2 at 5 d(B)).

Existing kit
RTH - HTH





No. 4 CAMERAS 360° VIEW

OPT-01-008

This is an intelligent camera monitor system designed to assist low-speed manoeuvring by providing the driver with a complete surround view of the vehicle in real time.

It offers a 360° view technology, thanks to four ultra wide-angle cameras. Each camera covers one full side of the vehicle with a viewing angle of over 180°. Mounted on the top of the boom, on both sides and on the rear of the machine, the calibrated cameras capture the whole surrounding area including the blind spots of the vehicle.

Existing kit
HTH - TH 6.20

No. 4 CAMERAS

OPT-01-018

Kit composed of n.4 ball cameras with extremely robust case in polycarbonate for hard-to-reach areas outside the vehicle. Alignable on all sides. Camera images are displayed on the touch screen monitor in the cab, dividing the video into four equal sections.

Equipment details:

1/4" CCD - Video format PAL - Viewing angle 150°(D) - 600 TV lines - 0,01 Lux (0 Lux by IR LED on) - Operating temperature range - 30°C ~ 70 °C - Power supply 12 VDC (±10%)
Connector MiniDIN
Dimensions 85mm x 78mm x 97mm
Weight 154g

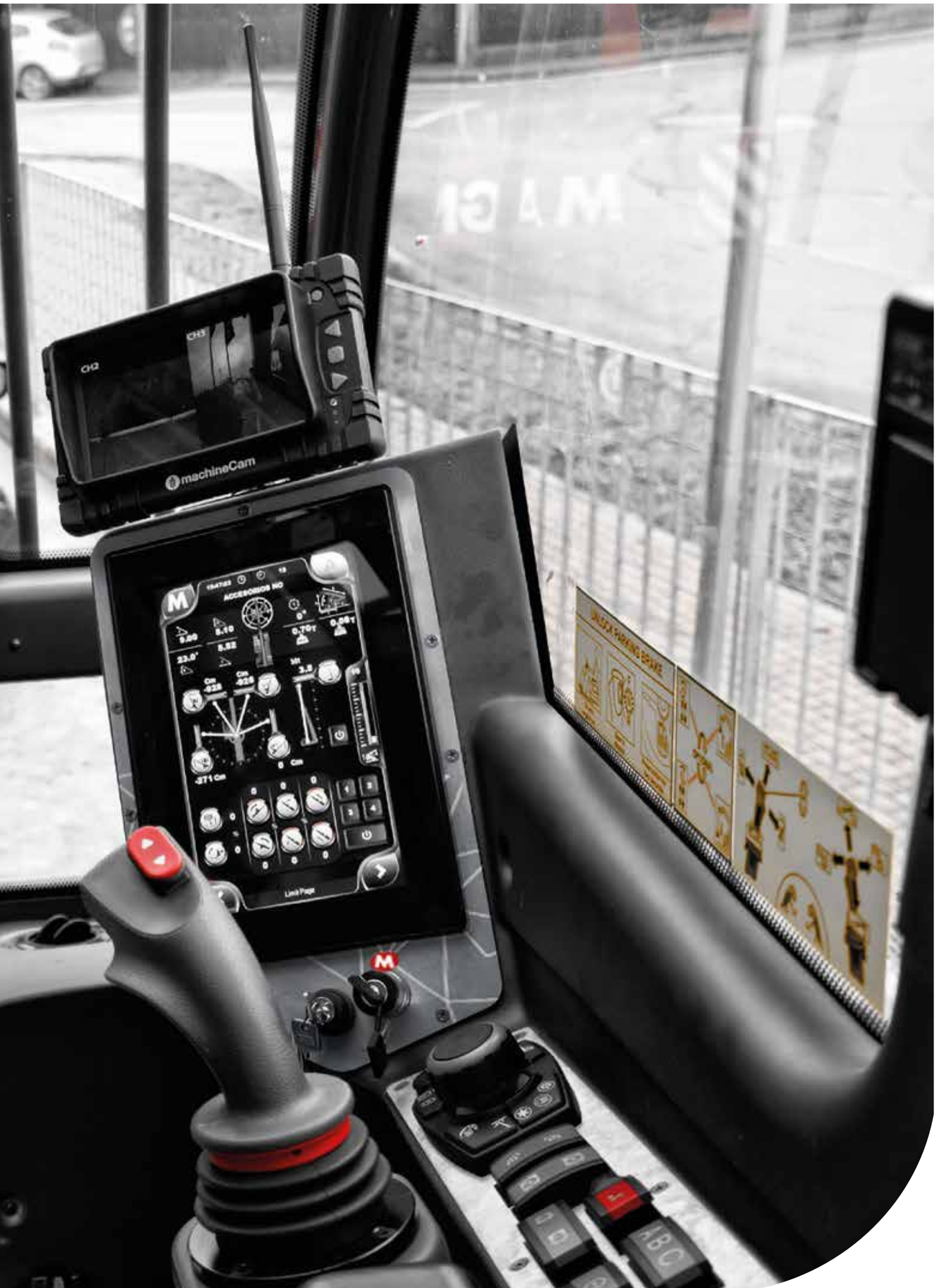
Certificate:

E-mark - IP69K - ECE 118

Existing kit
RTH









AIR SUSPENDED SEAT

OPT-01-009

The air suspension seat absorbs the majority of the machine's dynamic oscillations during movement, making driving more comfortable.

Existing kit

RTH - HTH - TH



TILTING SEAT

OPT-01-010

Option which allows the seat to recline in order to obtain a perfect view of the load with the boom elevated so that the operator is not required to adopt unergonomic positions while working.

Existing kit

RTH - HTH - TH



SEAT HEADREST

OPT-01-011

Option that increases seat comfort to provide the operator with an exceptional driving experience.



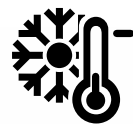
Existing kit

RTH - HTH - TH

HEATED SEAT 24V

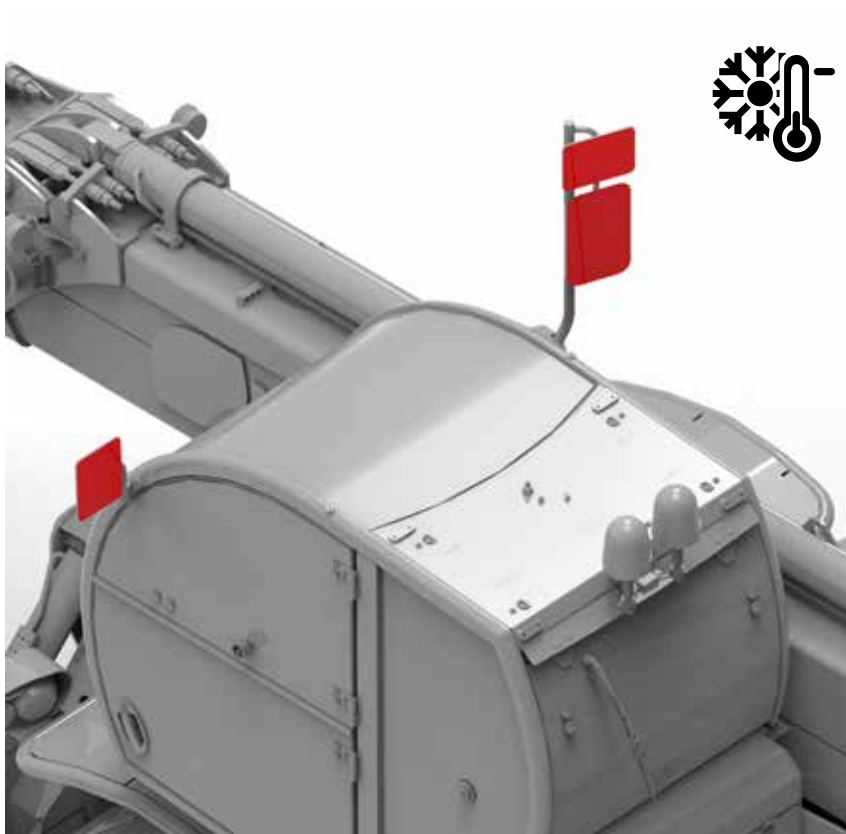
OPT-01-012

Option that increases seat comfort and user well-being on cold days. The seat is equipped with a 24V heating system. The heat is gradually reduced automatically, and when the lowest level is reached, the seat heating system is switched off automatically. It is also possible to disable the system manually at any time.



Existing kit

RTH - HTH - TH



HEATED REAR VIEW MIRRORS (ALL) 24V

OPT-01-013

Option which ensures full and complete mirror de-icing via a 24V internal heating circuit. Perfect for the most extreme and prolonged cold conditions.

Existing kit

RTH - HTH - TH



ROLL-UP SUNBLIND

OPT-01-014

Option consisting of roll-up sunblind which protect the cab from UV rays and make the operator's work more comfortable, and above all safer. Manually operated, without guide rods and pull rod stopping with hooks.

Existing kit

RTH - HTH - TH



RADIO DAB

OPT-01-015

The digital radio expands the features of the vehicle radio by incorporating a Digital Receiver which receives DAB and DAB+ terrestrial radio broadcasts. The advantages of digital radio include an enormous range of channels and impressive sound quality. As digital broadcasts are not yet available in all areas, DAB reception will automatically switch between digital and analogue reception depending on the signal strength. Integrated Bluetooth connection.

Existing kit

RTH - HTH - TH

AIR SUSPENDED SEAT WITH HEATING 24V

OPT-01-019



The air suspension seat absorbs the majority of the machine's dynamic oscillations during movement, making driving more comfortable. Option that increases seat comfort and user well-being on cold days. The seat is equipped with a 24V heating system. The heat is gradually reduced automatically, and when the lowest level is reached, the seat heating system is switched off automatically. It is also possible to disable the system manually at any time.

Existing kit

RTH - HTH - TH



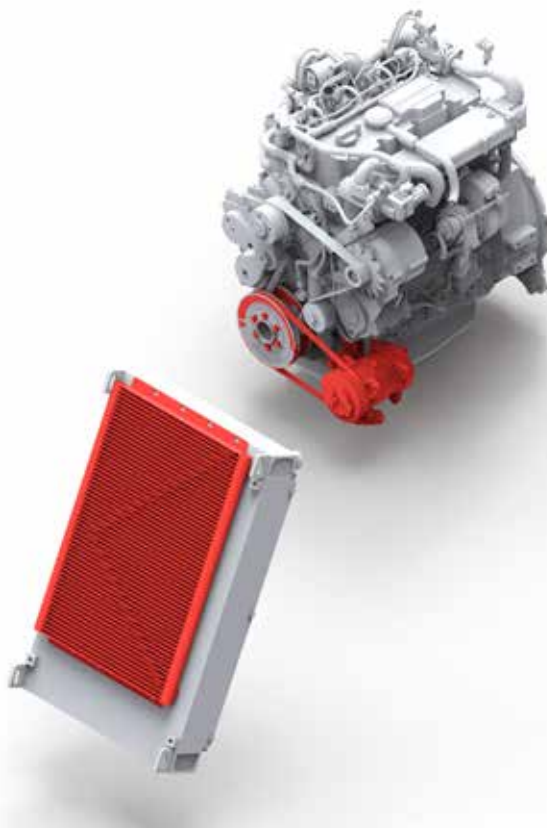
12" DISPLAY

OPT-01-016

High-resolution XL (12 inch) touchscreen which facilitates use of the driving screens and load charts in the cab.

Existing kit

RTH - TH



AIR CONDITIONING

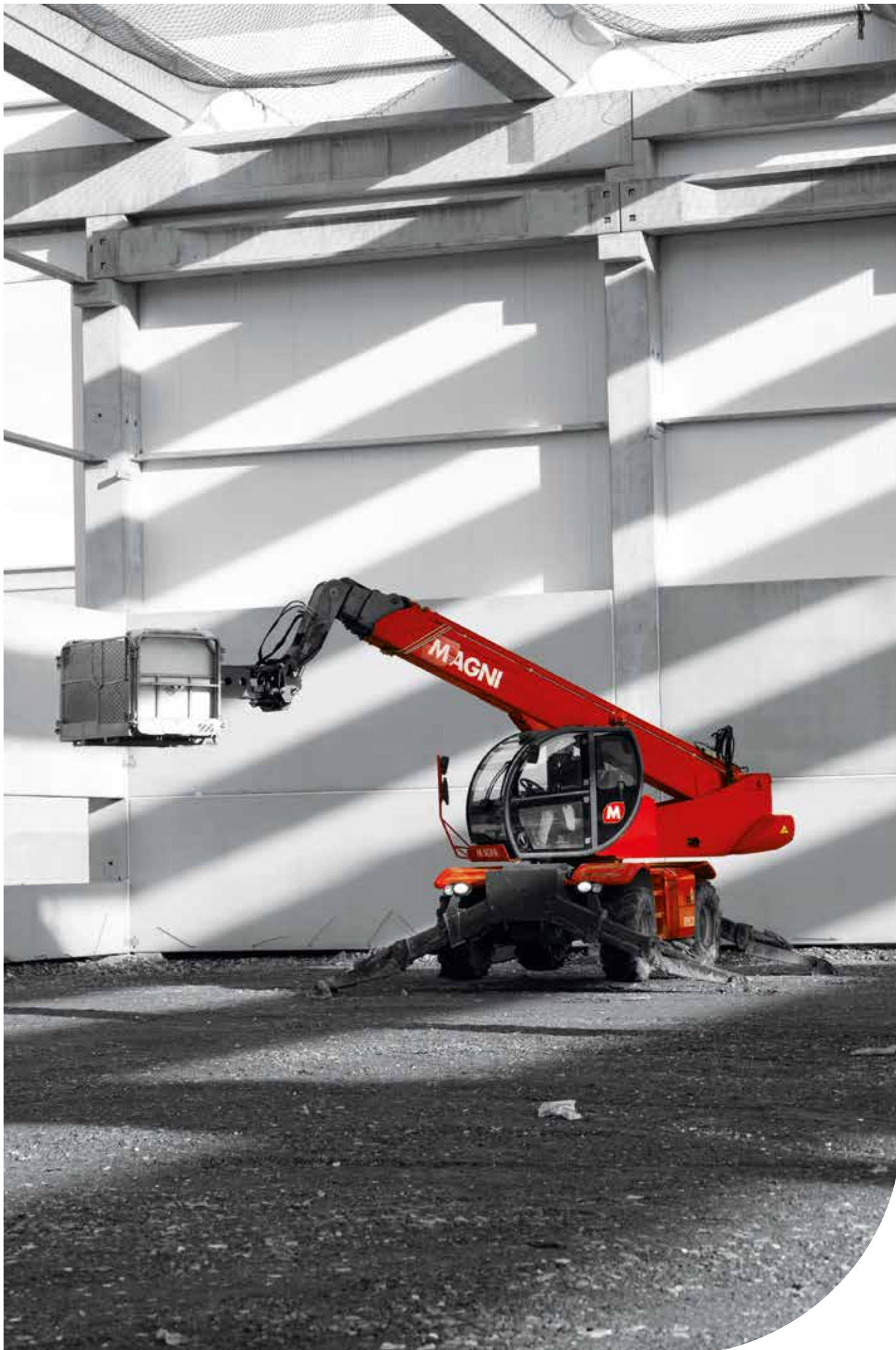
OPT-01-017 (RTH 4.18)

OPT-01-022 (TH 55kW)

The air conditioning option helps to automatically create a climate of constant well-being in the passenger compartment, even in the event of direct sunlight or very high or very low external temperatures. For this purpose the temperature, the intensity of the ventilation and the air distribution are regulated by sensors according to the presettings and continuously adapted to the current conditions. Integrated dehumidification effectively prevents fogging of the crystals.

Existing kit

RTH 4.18 - TH



		RTH 4.18	RTH 5.18	RTH 5.21	RTH 5.23	RTH 5.25	RTH 6.21	RTH 6.23	RTH 6.25	RTH 6.30	RTH 6.35	RTH 6.39	RTH 6.46	RTH 6.51	RTH 7.26	RTH 8.25	RTH 13.26
OPT-01-001	Boom suspension	●	●	●	●	●	●	●	●	●	●	●	●	●	●	●	●
OPT-01-002	Additional heater 24V (Eberspacher)	●	●	●	●	●	●	●	●	●	●	●	●	●	●	●	●
OPT-01-003	Remote control for additional heater 24V (Eberspacher)	●	●	●	●	●	●	●	●	●	●	●	●	●	●	●	●
OPT-01-004	No.1 Camera on right hand side	●	●	●	●	●	●	●	●	●	●	●	●	●	●	●	●
OPT-01-005	No.1 wireless camera on the rear	●	●	●	●	●	●	●	●	●	●	●	●	●	●	●	●
OPT-01-006	No.2 Cameras (front + rear wireless + monitor in the cab)	●	●	●	●	●	●	●	●	●	●	●	●	●	●	●	●
OPT-01-007	No.3 Cameras (2 front + 1 rear wireless + monitor in the cab)	●	●	●	●	●	●	●	●	●	●	●	●	●	●	●	●
OPT-01-008	No. 4 Cameras 360° view	●	●	●	●	●	●	●	●	●	●	●	●	●	●	●	●
OPT-01-009	Air suspended seat	●	●	●	●	●	●	●	●	●	●	●	●	●	●	●	●
OPT-01-010	Tilting seat	●	●	●	●	●	●	●	●	●	●	●	●	●	●	●	●
OPT-01-011	Seat headrest	●	●	●	●	●	●	●	●	●	●	●	●	●	●	●	●
OPT-01-012	Heated seat 24V	●	●	●	●	●	●	●	●	●	●	●	●	●	●	●	●
OPT-01-013	Heated rear view mirrors (all) 24V	●	●	●	●	●	●	●	●	●	●	●	●	●	●	●	●
OPT-01-014	Roll-up sunblind	●	●	●	●	●	●	●	●	●	●	●	●	●	●	●	●
OPT-01-015	Radio DAB	●	●	●	●	●	●	●	●	●	●	●	●	●	●	●	●
OPT-01-016	12" display	●	●	●	●	●	✓	✓	✓	✓	✓	✓	✓	✓	✓	✓	✓
OPT-01-017	Air conditioning for RTH 4.18	●	✓	✓	✓	✓	✓	✓	✓	✓	✓	✓	✓	✓	✓	✓	✓
OPT-01-018	No.4 cameras	●	●	●	●	●	●	●	●	●	●	●	●	●	●	●	●
OPT-01-019	Air suspended seat with heating 24V	●	●	●	●	●	●	●	●	●	●	●	●	●	●	●	●
OPT-01-020	No.1 wired camera on the rear	-	-	-	-	-	-	-	-	-	-	-	-	-	-	-	-
OPT-01-021	No.1 wired camera on the rear	-	-	-	-	-	-	-	-	-	-	-	-	-	-	-	-
OPT-01-022	Air conditioning for TH 55kW	-	-	-	-	-	-	-	-	-	-	-	-	-	-	-	-





PERFORMANCE & WORKING EXPERIENCE

Everything revolves around excellent performances that make using a **Magni** a unique experience. An experience where the operator is the center, who will be able to do his best during working hours.





AUTOMATIC GREASING SYSTEM

OPT-02-018 (RTH)

OPT-02-038 (TH)

Timed automatic lubrication system which greases the machine's swivel pins to streamline scheduled maintenance and extend working hours.

This kit is composed by: high-pressure lubrication pump (with operating temperature down to -25°C), distributor and monitor. In the system, the ECU LCD-based monitor controls the high-pressure grease pump, which operates cyclically. During operation, the reducer motor drives the eccentric wheel to reciprocate the plunger pair for grease pumping. After the pressurized grease enters into the supply line, the grease is supplied to lube points via the distributor metering chamber.

Existing kit

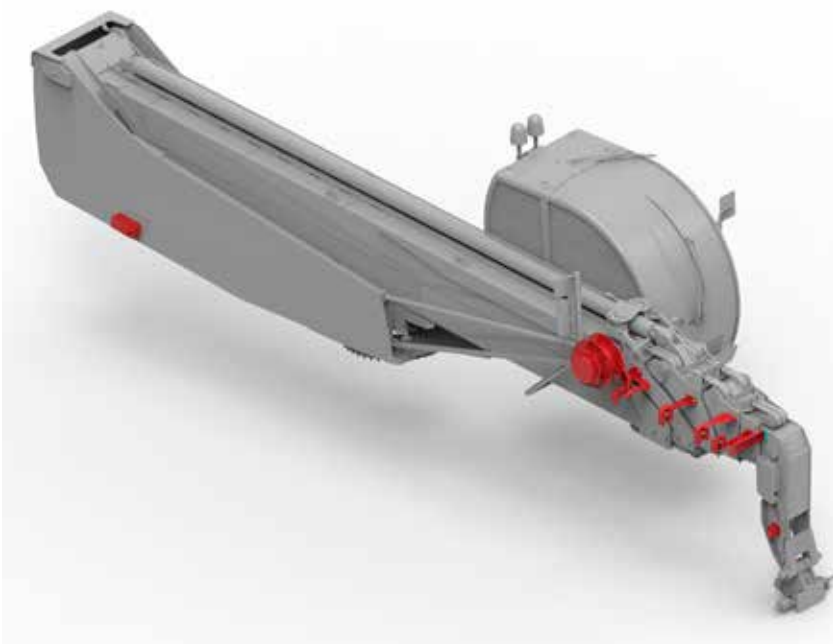
RTH - TH

Not available for TH 5.8.

230 V PLUG AT BOOM HEAD

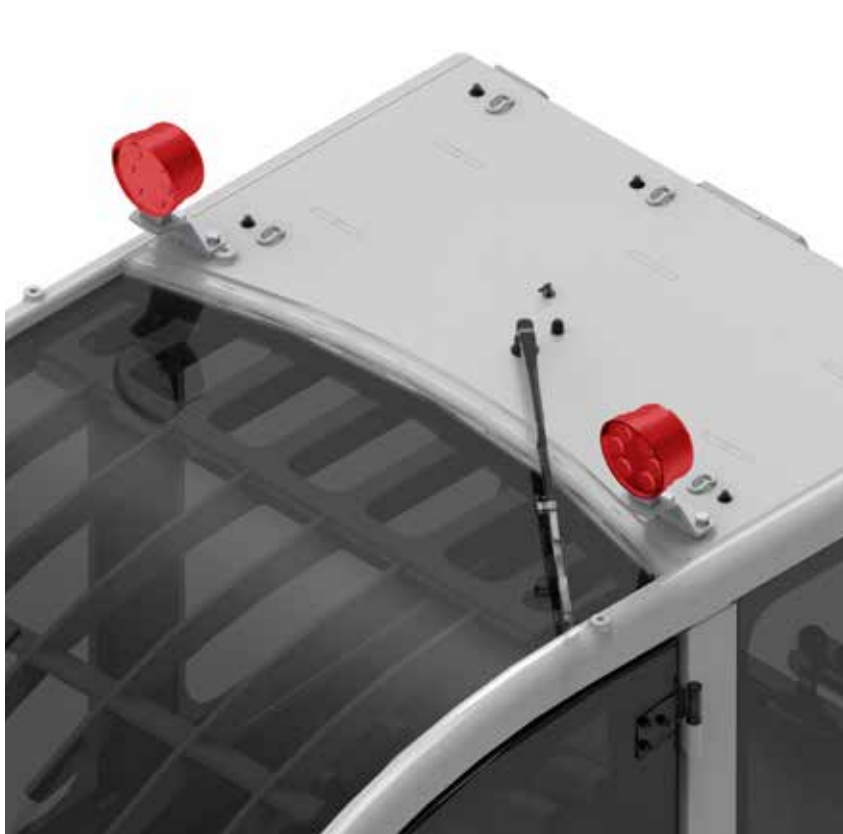
OPT-02-002

Extension cable provision for connection of 110/220 V components on the end of the boom.



Existing kit

RTH - HTH - TH



LED LIGHTS ON TOP OF THE CAB FRONT

OPT-02-003

Option composed of two led work lights installed on the upper front-end of the machine which increase the light coverage and output to allow work in dark or poorly lit areas. The operator must always ensure that manoeuvres are performed in a safe environment even though they have more light available.

Existing kit

RTH - HTH - TH



LED LIGHTS ON TOP OF THE CAB REAR

OPT-02-004

Option composed of two led work lights installed on the upper rear-end of the machine which increase the light coverage to allow work in dark or poorly lit areas. The operator must always ensure that manoeuvres are performed in a safe environment even though they have more light available.

Existing kit

RTH - HTH - TH

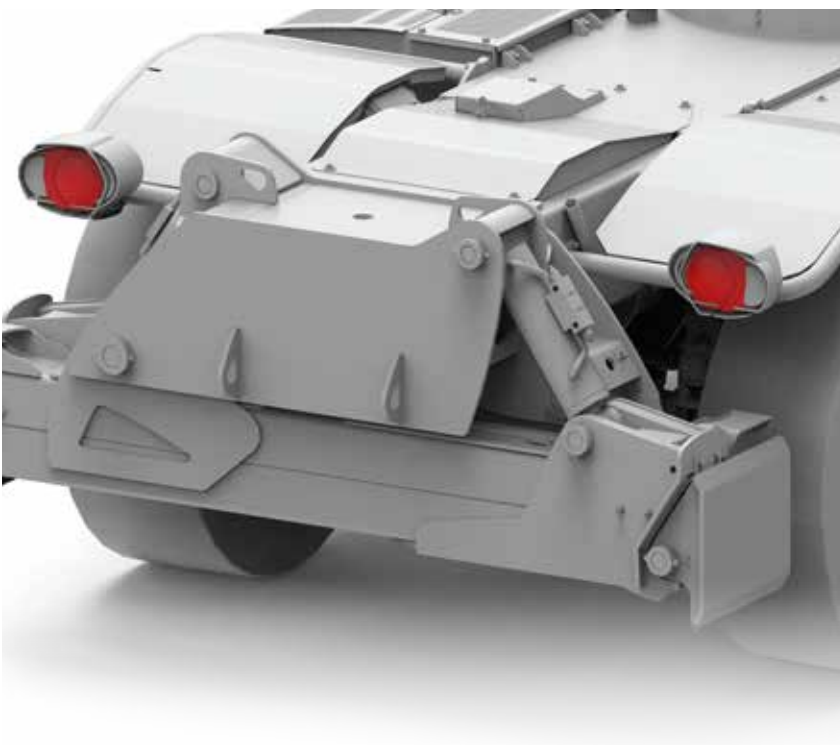


LED LIGHTS ON THE BOTTOM OF THE CAB FRONT

OPT-02-005

Option composed of two led work lights installed on the lower front-end of the machine which increase the light coverage to allow work in dark or poorly lit areas. The operator must always ensure that manoeuvres are performed in a safe environment even though they have more light available.

Existing kit
RTH

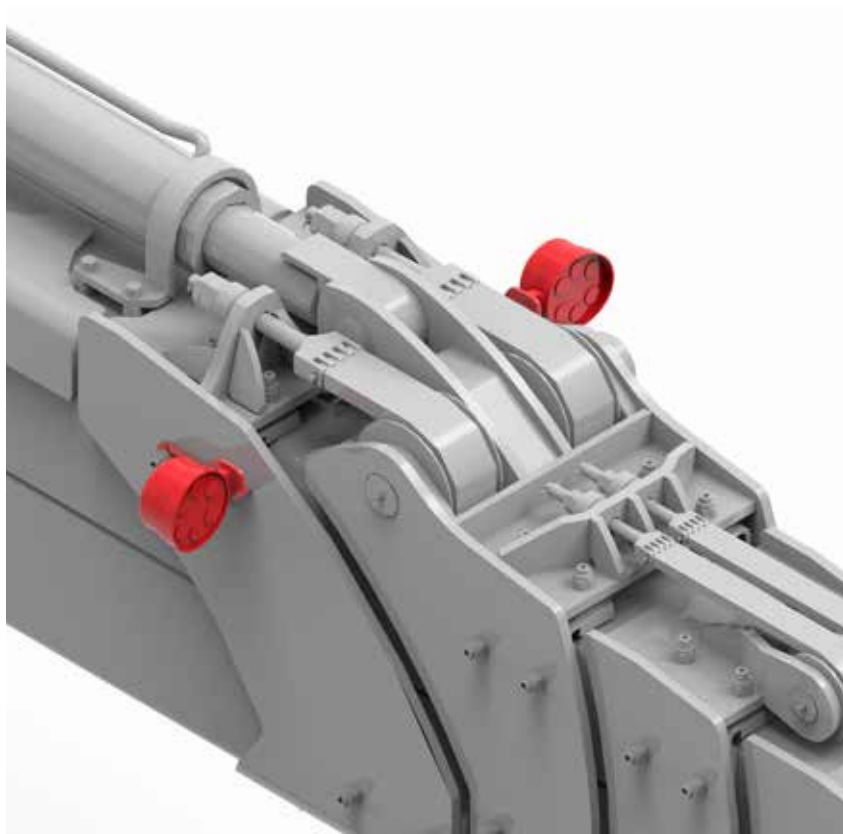


FRONT - REAR LED HEADLAMPS

OPT-02-006

Option composed of four led headlights which increase the light output by 20% both for road use and site operation.

Existing kit
RTH - HTH - TH



LED LIGHTS ON THE BOOM

OPT-02-007

Option composed of two led work lights installed on the boom which increase the light coverage and output to allow work in dark or poorly lit areas.

Existing kit

RTH - HTH - TH

STANDARD REMOTE CONTROL

OPT-02-008

OPT-02-034

Remote control allowing use of all boom functions from the ground, thus increasing the safety of the operators. The remote control uses the Bluetooth system and can be used all over the world without particular restrictions.

For Australia, Japan and Korea the remote control is equipped with a consent button on the joystick (**OPT-02-034**).



Existing kit

RTH - HTH - TH



REMOTE CONTROL FOR DRIVING OPERATIONS FROM BASKET WITH DISPLAY

OPT-02-009

Radio control equipped with a color display which, in addition to the control of the boom, allows the machine to be driven remotely and the stabilisation phases managed directly from the basket.

This function can be disabled for those who do not need to use it.

The remote control uses the Bluetooth system and can be used all over the world without particular limitations. For Australia, Japan and Korea the remote control is equipped with a consent button on the joystick.

Existing kit RTH - TH

Operations with the remote:

- machine start/stop
- turret rotation
- boom out/in
- boom up/down
- hare/turtle mode
- emergency pump
- increase/decrease RPM
- emergency stop
- control for valves at boom head
- boom out mode M1 and M2 (only RHT6.46)
- remote drive
- Stabilizers up/down (automatic stabilizing and levelling)
- machine movement forward/backward
- machine movement left/right
- 6 programmable keys for additional functions

Information available on the remote:

- remote control battery level
- indicator for machine pairing
- Indicator for % of anti tilting system
- indicator of activation of the valve at the boom's head
- attachment confirmation from remote
- machine status (alarms/engine etc. same as page 1 on display)
- info on load status (boom position, angle, maximum load, actual load)





REMOTE CONTROL FOR TREE CUTTING WITH DISPLAY

OPT-02-011



Remote control equipped with a practical color display which shows all boom geometric data to the user on the ground, increasing safety on the operator side. Possibility to operate the tree cutting attachment directly with a button positioned on the remote control. The remote control uses the Bluetooth system and can be used all over the world without particular restrictions. For Australia, Japan and Korea the remote control is equipped with a consent button on the joystick.

Existing kit RTH

Operations with the remote:

- machine start/stop
- turret rotation
- boom out/in
- boom up/down
- hare/turtle mode
- emergency pump
- increase/decrease RPM
- emergency stop
- control for valves at boom head
- boom out mode M1 and M2 (only RHT6.46)
- remote drive
- Stabilizers up/down (automatic stabilizing and levelling)
- machine movement forward/backward
- machine movement left/right
- 6 programmable keys for additional functions
- dedicated joystick for tree cutting
- grab rotation (vertical axis)
- close/open grab
- saw on/off operation

Information available on the remote:

- remote control battery level
- indicator for machine pairing
- Indicator for % of anti tilting system
- indicator of activation of the valve at the boom's head
- attachment confirmation from remote
- machine status (alarms/engine etc. same as page 1 on display)
- info on load status (boom position, angle, maximum load, actual load)









DRIVE FROM THE BASKET

OPT-02-012

Optional which, alongside the normal radio functions, allows the machine to be driven and the stabilisers operated directly from the basket control console. Perfect for increasing work productivity and efficiency. Remote control included in the code.

Existing kit
RTH - TH

DRIVE FROM THE BASKET

OPT-02-012

Optional which, alongside the normal radio functions, allows the machine to be driven and the stabilisers operated directly from the basket control console. Perfect for increasing work productivity and efficiency. Remote control included in the code.



Existing kit
TH



QUICK BOOM IN/OUT

OPT-02-024

Optional which increases boom extension and retraction speed when unladen.

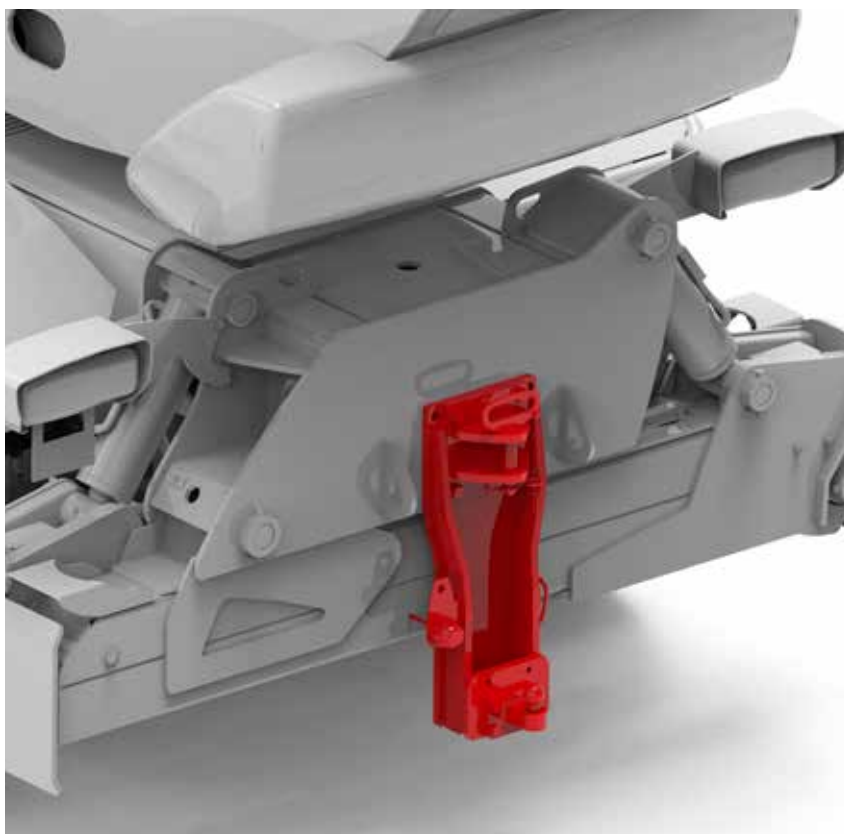


Existing kit
RTH

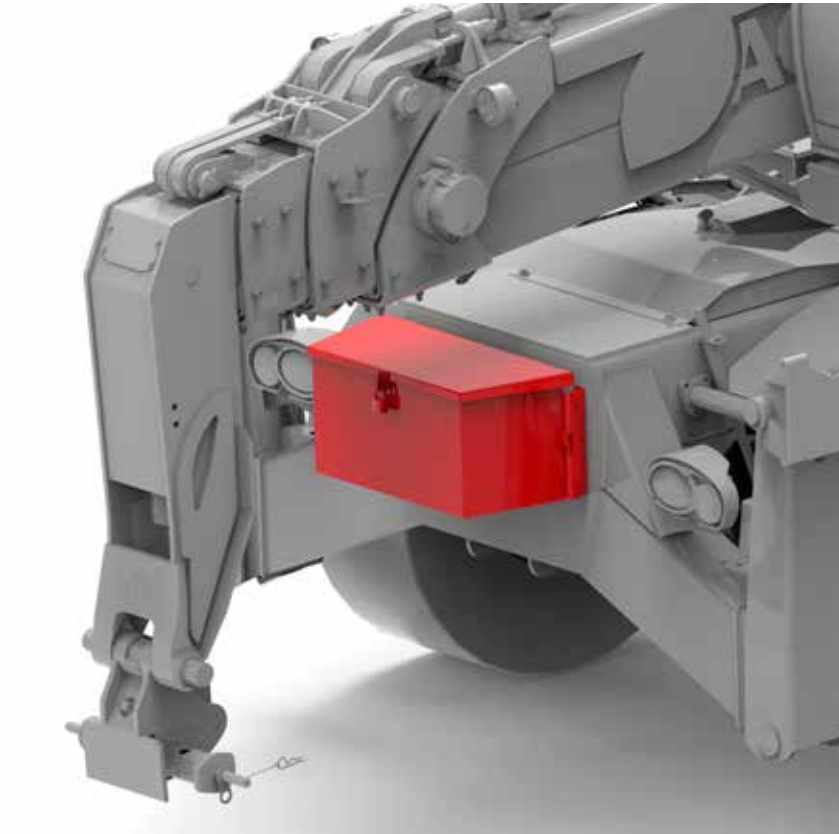
COMPLETE TOWING HOOK

OPT-02-015

Complete tow hook which allows coupling of trailers via ball hitch.



Existing kit
RTH

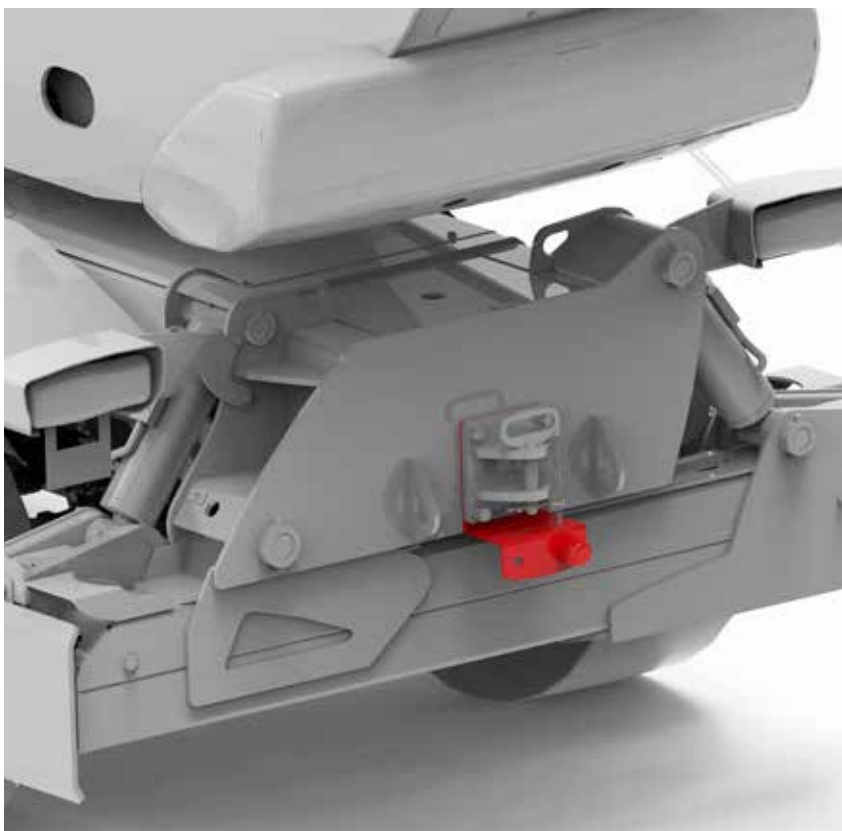


COMPLETE TOOL BOX

OPT-02-013

Practical tool compartment specifically for storing tools.

Existing kit
RTH

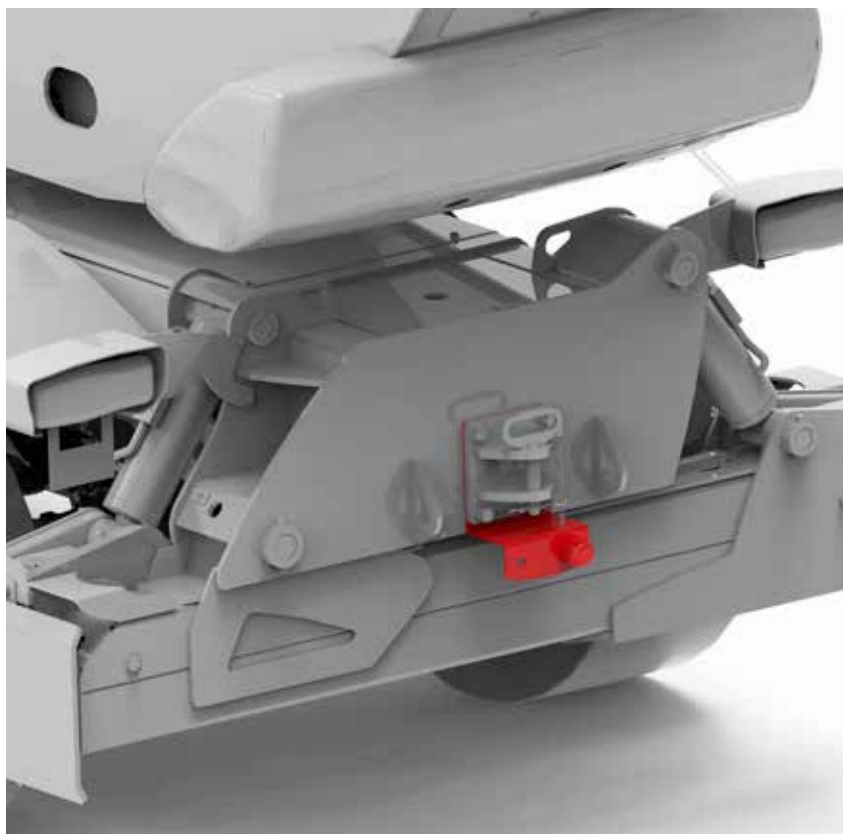


REAR ELECTRIC PLUG 24V FOR TRAILER [7 PINS]

OPT-02-016

Trailer electrical socket 24V - 7-pins socket to duplicate rear lights.

Existing kit
RTH

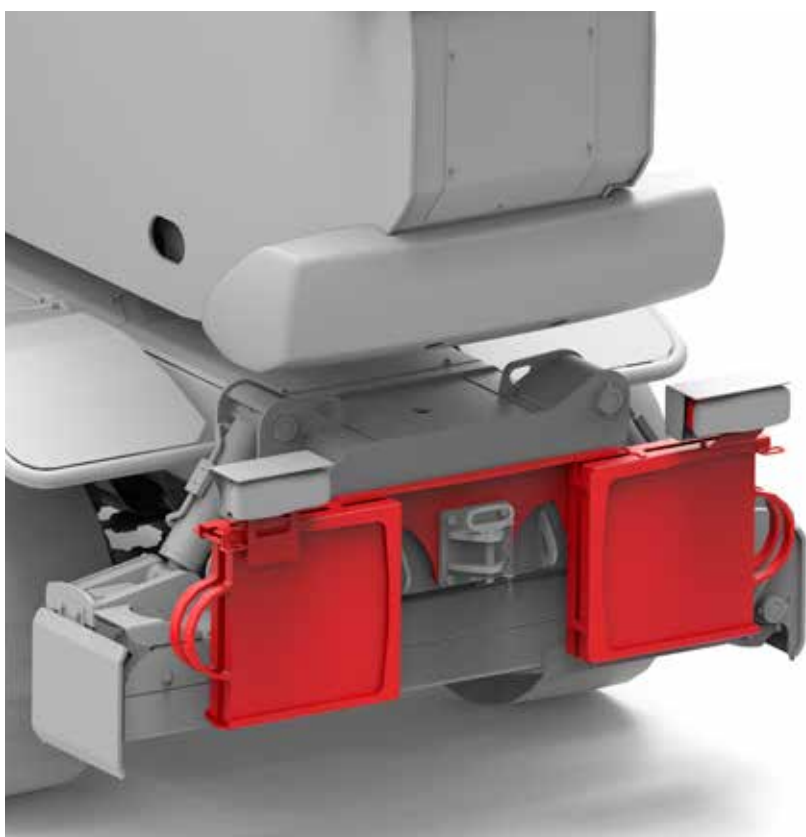


REAR ELECTRIC PLUG 24V FOR TRAILER [13 PINS]

OPT-02-017

Trailer electrical socket 24V - 13-pins socket to duplicate rear lights.

Existing kit
RTH

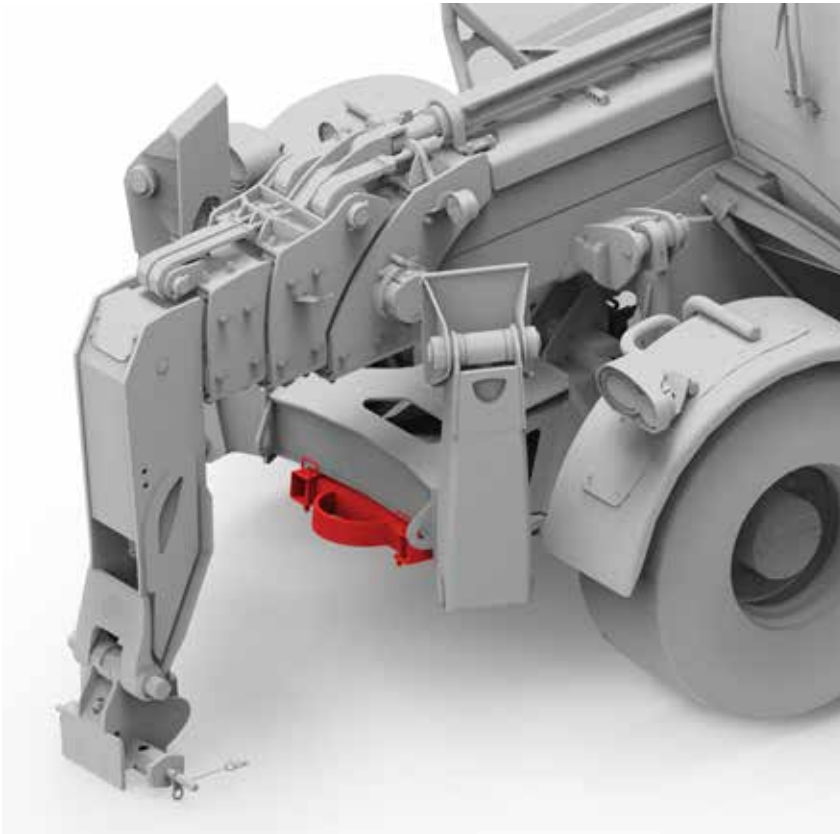


HOLDERS FOR STABILISERS PLASTIC PADS (INCLUDING THE PADS) RTH

OPT-02-019

Practical metallic support for the stabiliser support bases to rest on pads included.

Existing kit
RTH



HOLDERS FOR STABILISERS PLASTIC PADS (INCLUDING THE PADS) TH

OPT-02-032

Practical metallic support for the stabiliser support bases to rest on pads included.

Existing kit
TH



HYDRAULIC LOCK FOR ATTACHMENTS

OPT-02-020

Option for quick coupling and release of the various attachments via a hydraulic ram while sitting in the cab. Perfect for countries with very cold climates.

Existing kit
RTH - HTH - TH

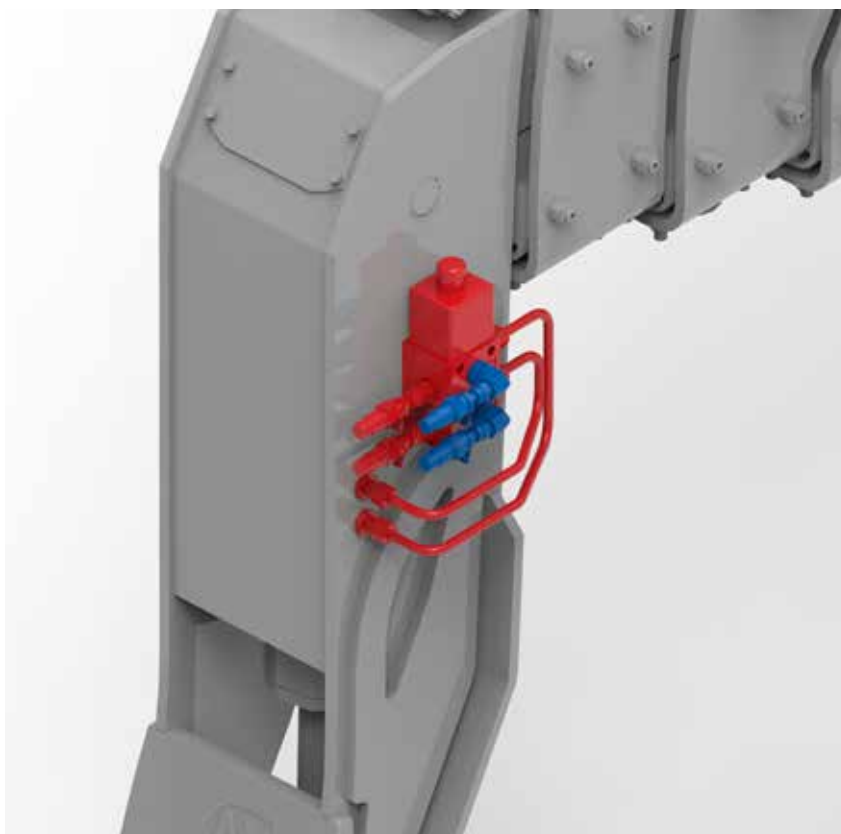


HYDRAULIC BLOCK FOR TURRET ROTATION

OPT-02-021

Practical option for locking/releasing the turret via a hydraulic ram while sitting in the cab. Perfect for countries with very cold climates.

Existing kit
RTH

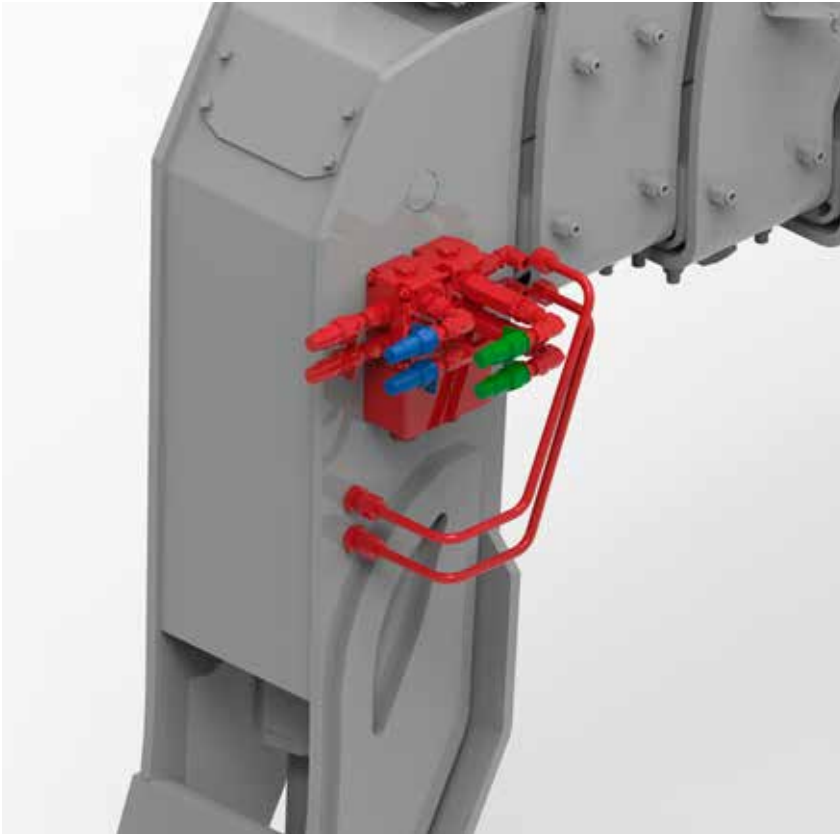


DOUBLE HYDRAULIC OUTPUT AT THE BOOM HEAD

OPT-02-022

Option which provides a second auxiliary hydraulic function on the head of the boom. Management is performed by a diverter on the boom head which can be activated electrically by the operator.

Existing kit
RTH - HTH - TH



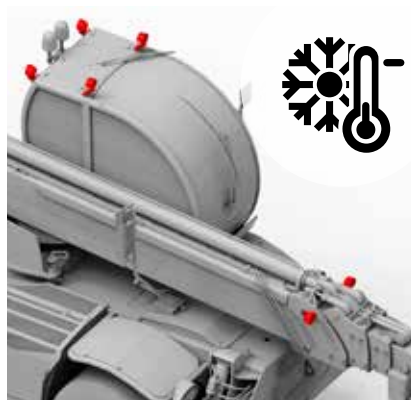
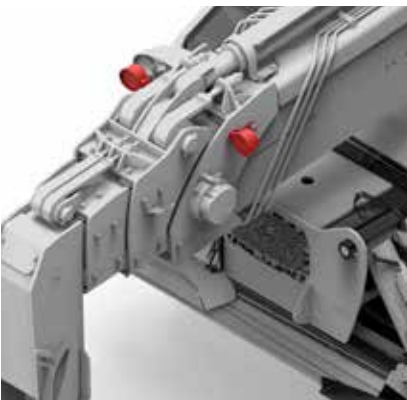
TRIPLE HYDRAULIC OUTPUT AT THE BOOM HEAD

OPT-02-023

Option which provides a third auxiliary hydraulic function on the head of the boom. Management is performed by a diverter on the boom head which can be activated electrically by the operator.

Existing kit

RTH - HTH - TH



NORDIC PACKAGE

OPT-02-014

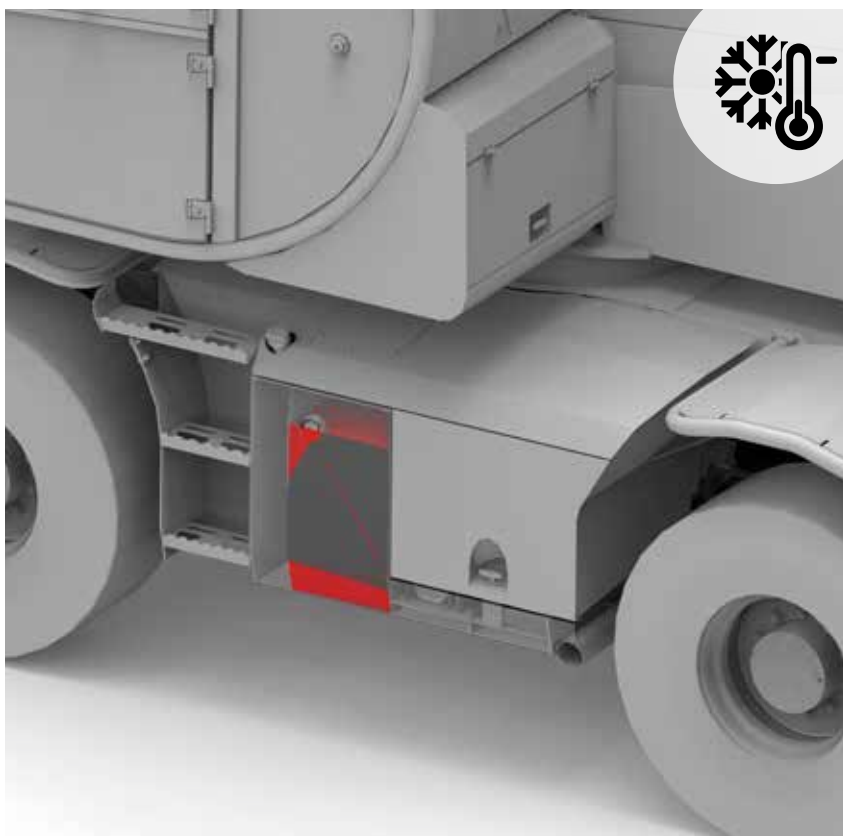
Option consisting of:

- heater for engine coolant 230V
OPT-02-027
- hydraulic oil for cold climate
OPT-02-025
- led lights on top of the cab front
OPT-02-003
- led lights on top of the cab rear
OPT-02-004
- led lights on the boom
OPT-02-007
- external battery cut-off
OPT-03-003
- 110/220 V plug in the cabin



Existing kit

RTH - HTH - TH



HYDRAULIC OIL FOR COLD CLIMATE

OPT-02-025

Tellus Shell ISO 32 hydraulic oil which provides full performance in very cold climates down to -32°.

Existing kit
RTH - HTH - TH

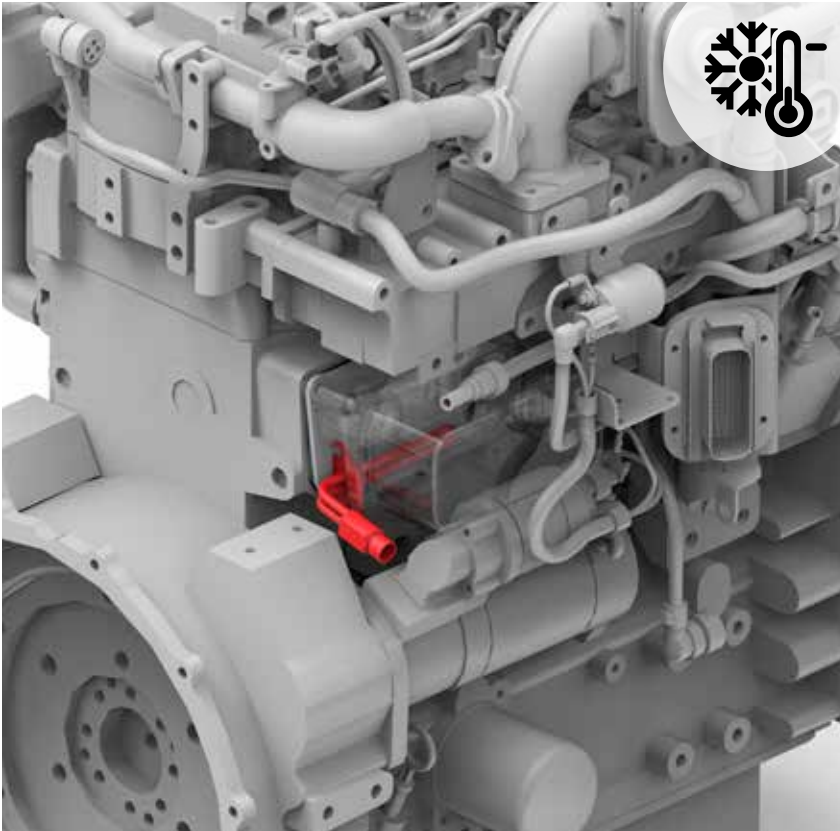


BIO HYDRAULIC OIL

OPT-02-026

High-performance EAL, completely synthetic and zinc free for hydraulic systems. Saturated synthetic ester base. Allows for «lifetime filling» extended oil change intervals, without deposits.

Existing kit
RTH - HTH - TH



HEATER FOR ENGINE COOLANT

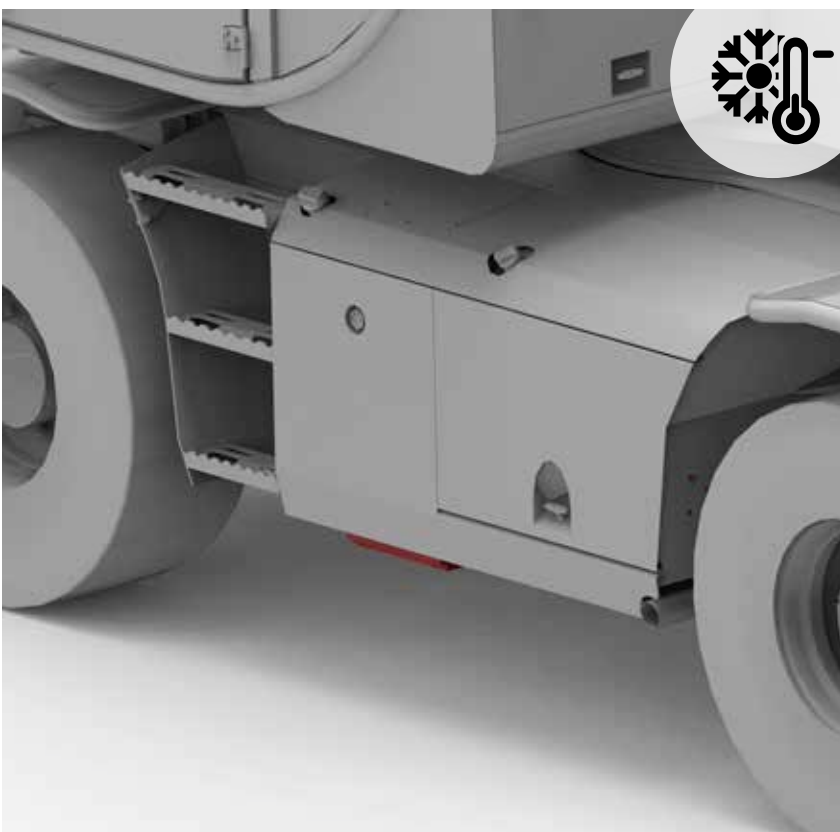
OPT-02-027 (230V)

OPT-02-033 (110V)

Option consisting of an electric engine coolant pre-heating element, perfect for countries with cold climates.

Existing kit

RTH - HTH - TH



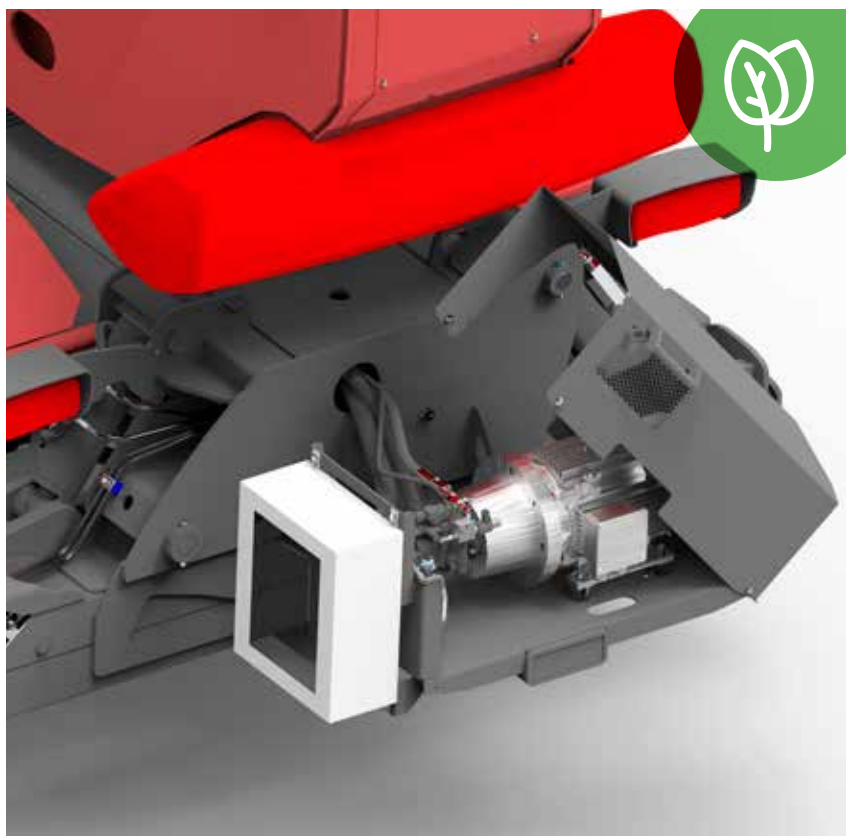
HYDRAULIC OIL HEATER (230V)

OPT-02-029

Option consisting of a 230V plate heating element positioned on the hydraulic oil tank in order to maintain oil viscosity in very cold climates.

Existing kit

RTH - HTH - TH



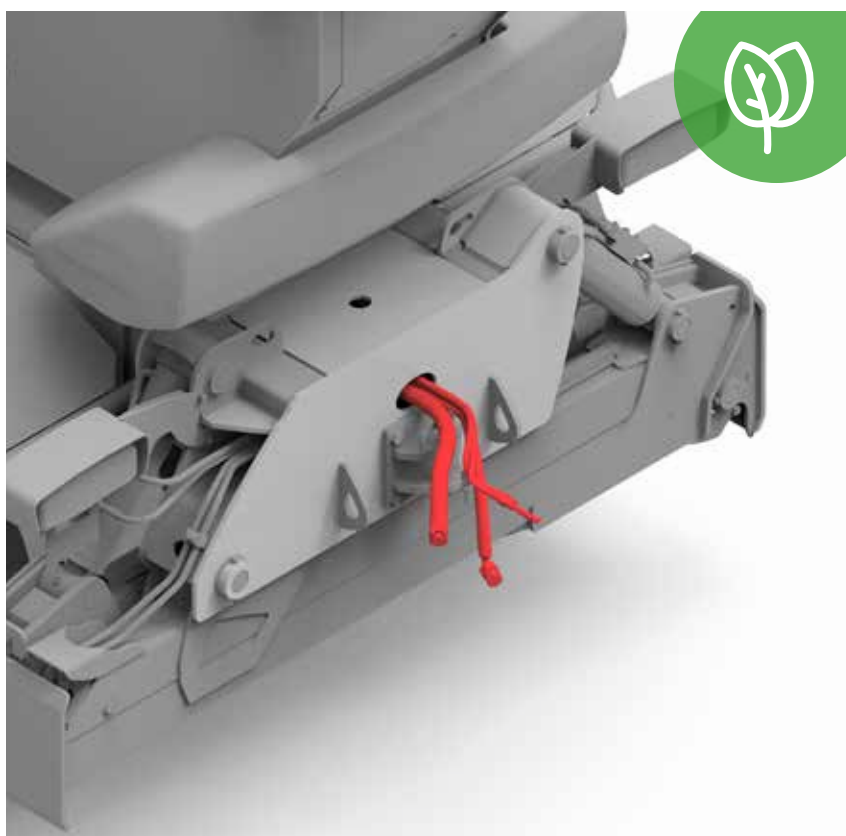
TWIN POWER 400V

OPT-02-036

This option allows the machine to be used without starting the diesel engine. By connecting to an external electricity supply (380 V), it is possible to power the machine and perform all normal lifting and load positioning operations. A 15 kW electric motor and a 90 litre piston pump guarantee performance and precision for each and every movement. Pre-arrangement OPT-02-031 included in this option.

 **OPT-02-031 MANDATORY**

Existing kit
RTH



PRE ARRANGEMENT FOR TWIN POWER 400 V

OPT-02-031

Option required for Twin power installation.

Existing kit
RTH

		RTH 4.18	RTH 5.18	RTH 5.21	RTH 5.23	RTH 5.25	RTH 6.21	RTH 6.23	RTH 6.25	RTH 6.30	RTH 6.35	RTH 6.39	RTH 6.46	RTH 6.51	RTH 7.26	RTH 8.25	RTH 13.26
OPT - 02 - 002	230 V plug at boom head	●	●	●	●	●	●	●	●	●	●	●	●	●	●	●	●
OPT - 02 - 003	LED lights on top of the cab front	●	●	●	●	●	●	●	●	●	●	●	●	●	●	●	●
OPT - 02 - 004	LED lights on top of the cab rear	●	●	●	●	●	●	●	●	●	●	●	●	●	●	●	●
OPT - 02 - 005	LED lights on the bottom of the cab front	●	●	●	●	●	●	●	●	●	●	●	●	●	●	●	●
OPT - 02 - 006	Front and rear led headlamps	●	●	●	●	●	●	●	●	●	●	●	●	●	●	●	●
OPT - 02 - 007	LED lights on the boom	●	●	●	●	●	●	●	●	●	●	●	●	●	●	●	●
OPT - 02 - 008	Standard remote control	●	●	●	●	●	●	●	●	●	●	●	●	●	●	●	●
OPT - 02 - 009	Remote control for driving operations from basket with display	●	●	●	●	●	●	●	●	●	●	●	●	●	●	●	●
OPT - 02 - 011	Remote control for tree cutting with display	●	●	●	●	●	●	●	●	●	●	●	●	●	●	●	●
OPT - 02 - 012	Drive from the basket	●	●	●	●	●	●	●	●	●	●	●	●	●	●	●	●
OPT - 02 - 013	Complete tool box	●	●	●	●	●	●	●	●	●	●	●	●	●	●	●	●
OPT - 02 - 014	Nordic package	●	●	●	●	●	●	●	●	●	●	●	●	●	●	●	●
OPT - 02 - 015	Complete towing hook	●	●	●	●	●	●	●	●	●	●	●	●	●	●	●	●
OPT - 02 - 016	Rear electric plug 24v for trailer (7 pins)	●	●	●	●	●	●	●	●	●	●	●	●	●	●	●	●
OPT - 02 - 017	Rear electric plug 24v for trailer (13 pins)	●	●	●	●	●	●	●	●	●	●	●	●	●	●	●	●
OPT - 02 - 018	Automatic greasing system	-	-	-	-	-	-	-	-	-	-	-	-	-	-	-	-
OPT - 02 - 019	Holder for stabilizers' plastic pads (including the pads) RTH	●	●	●	●	●	●	●	●	●	●	●	●	●	●	●	●
OPT - 02 - 020	Hydraulic lock for attachments	●	●	●	●	●	●	●	●	●	●	●	●	●	●	●	●



PERFORMANCE & WORKING EXPERIENCE

HTH 10.10	HTH 16.10	HTH 20.10	HTH 24.11	HTH 27.11	HTH 30.12	HTH 35.12	HTH 50.14	TH 5.8	TH 5.8 P	THU 5.8	TH 6.10	TH 6.10 P	TH 5.5.15	TH 5.5.15 P	TH 5.5.19	TH 5.5.19 P	TH 6.20	TH 5.5.24
●	●	●	●	●	●	●	●	●	●	●	●	●	●	●	●	●	●	●
●	●	●	●	●	●	●	●	●	●	●	●	●	●	●	●	●	●	●
●	●	●	●	●	●	●	●	●	●	●	●	●	●	●	●	●	●	●
●	●	●	●	●	●	●	●	-	-	-	-	-	-	-	-	-	-	-
●	●	●	●	●	●	●	●	●	●	●	●	●	●	●	●	●	●	●
●	●	●	●	●	●	●	●	●	●	●	●	●	●	●	●	●	●	●
●	●	●	●	●	●	●	●	●	●	●	●	●	●	●	●	●	●	●
●	●	●	●	●	●	●	●	●	●	●	●	●	●	●	●	●	●	●
●	●	●	●	●	●	●	●	●	●	●	●	●	●	●	●	●	●	●
●	●	●	●	●	●	●	●	-	-	-	-	-	-	-	-	-	-	-
●	●	●	●	●	●	●	●	●	●	●	●	●	●	●	●	●	●	●
●	●	●	●	●	●	●	●	-	-	-	-	-	-	-	-	-	-	-
●	●	●	●	●	●	●	●	-	-	-	-	-	-	-	-	-	-	-
●	●	●	●	●	●	●	●	-	-	-	-	-	-	-	-	-	-	-
●	●	●	●	●	●	●	●	-	-	-	●	●	●	●	●	●	●	●
-	-	-	-	-	-	-	-	-	-	-	-	-	-	-	-	-	-	-
●	●	●	●	●	●	●	●	●	●	●	●	●	●	●	●	●	●	●

● = Available

- = Not Available

✓ = On board

PERFORMANCE & WORKING EXPERIENCE

		RTH 4.18	RTH 5.18	RTH 5.21	RTH 5.23	RTH 5.25	RTH 6.21	RTH 6.23	RTH 6.25	RTH 6.30	RTH 6.35	RTH 6.39	RTH 6.46	RTH 6.51	RTH 7.26	RTH 8.25	RTH 13.26
OPT - 02 - 021	Hydraulic block for turret rotation	●	●	●	●	●	●	●	●	●	●	●	●	●	●	●	●
OPT - 02 - 022	Double hydraulic output at the boom head	●	●	●	●	●	●	●	●	●	●	●	●	●	●	●	●
OPT - 02 - 023	Triple hydraulic output at the boom head	●	●	●	●	●	●	●	●	●	●	●	●	●	●	●	●
OPT - 02 - 024	Quick boom in/out	●	●	●	●	●	●	●	●	●	●	●	●	●	●	●	●
OPT - 02 - 025	Hydraulic oil for cold climate	●	●	●	●	●	●	●	●	●	●	●	●	●	●	●	●
OPT - 02 - 026	Bio hydraulic oil	●	●	●	●	●	●	●	●	●	●	●	●	●	●	●	●
OPT - 02 - 027	Heater for engine coolant (230V)	●	●	●	●	●	●	●	●	●	●	●	●	●	●	●	●
OPT - 02 - 029	Hydraulic oil heater (230v)	●	●	●	●	●	●	●	●	●	●	●	●	●	●	●	●
OPT - 02 - 031	Pre arrangement for Twin power 400 V	●	●	●	●	●	●	●	●	●	●	●	●	●	●	●	●
OPT - 02 - 032	Holder for stabilizers' plastic pads (including the pads) th	-	-	-	-	-	-	-	-	-	-	-	-	-	-	-	-
OPT - 02 - 033	Heater for engine coolant (110V)	●	●	●	●	●	●	●	●	●	●	●	●	●	●	●	●
OPT - 02 - 034	Standard remote control	●	●	●	●	●	●	●	●	●	●	●	●	●	●	●	●
OPT - 02 - 035	Drive from the basket	-	-	-	-	-	-	-	-	-	-	-	-	-	-	-	-
OPT - 02 - 036	TWIN POWER 400V	●	●	●	●	●	●	●	●	●	●	●	●	●	●	●	●
OPT - 02 - 037	Drive from the basket	-	-	-	-	-	-	-	-	-	-	-	-	-	-	-	-
OPT - 02 - 038	Automatic greasing system RTH	●	●	●	●	●	●	●	●	●	●	●	●	●	●	●	●

Magni recommends the use of **Q8 Oils** and lubricants.

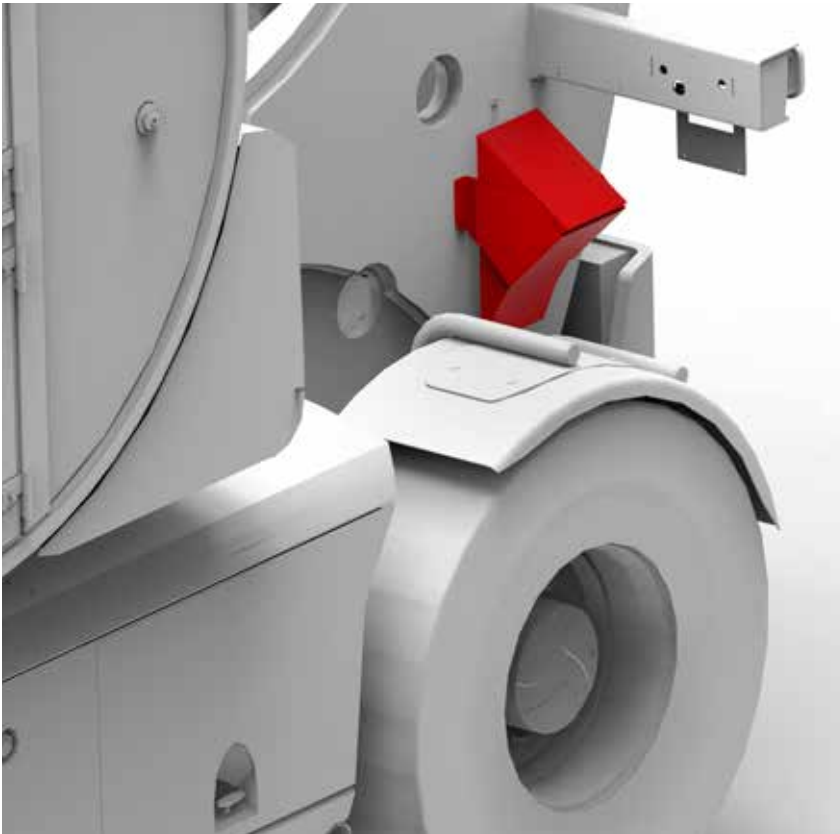




SAFE & SECURE

Safety at **Magni** means products that comply with the latest regulations on health and full safety in any working place and building site.

03

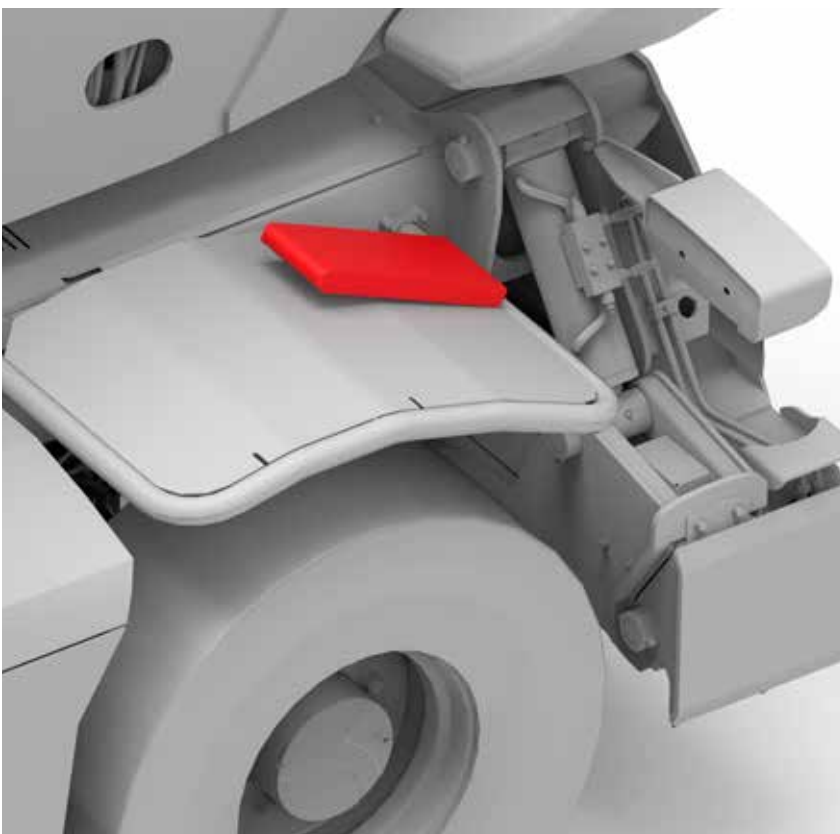


WHEEL CHOCKS (2) HTH

OPT-03-001

Metal chocks used when parking the machine on slopes to ensure stable positioning.

**Existing kit
HTH**

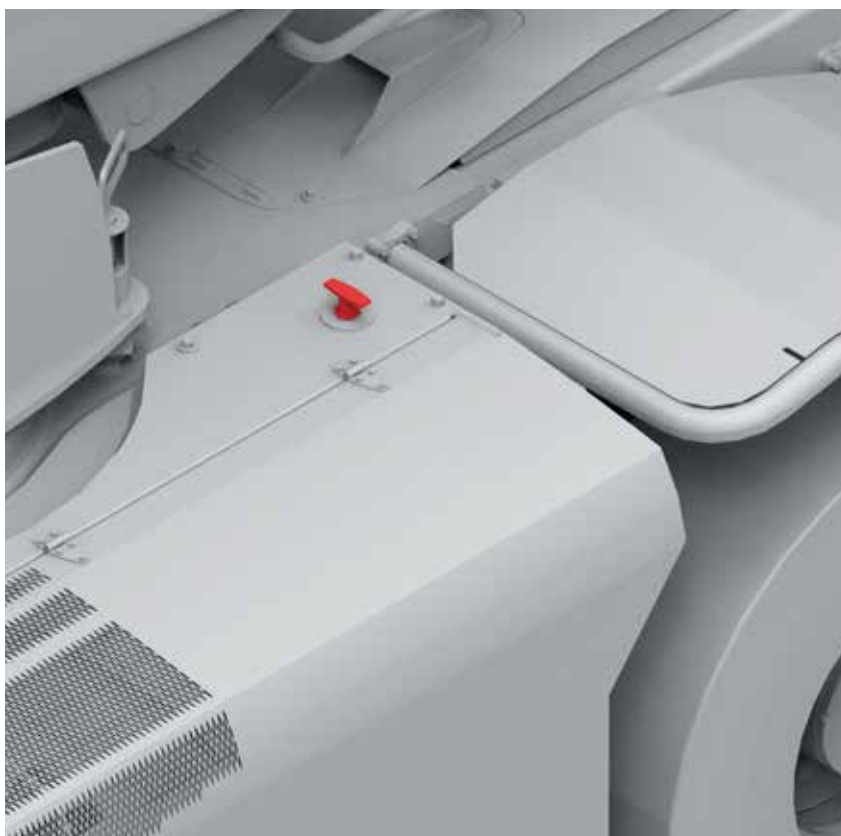


WHEEL CHOCKS (2) RTH-TH

OPT-03-014

Metal chocks used when parking the machine on slopes to ensure stable positioning.

**Existing kit
RTH - TH**



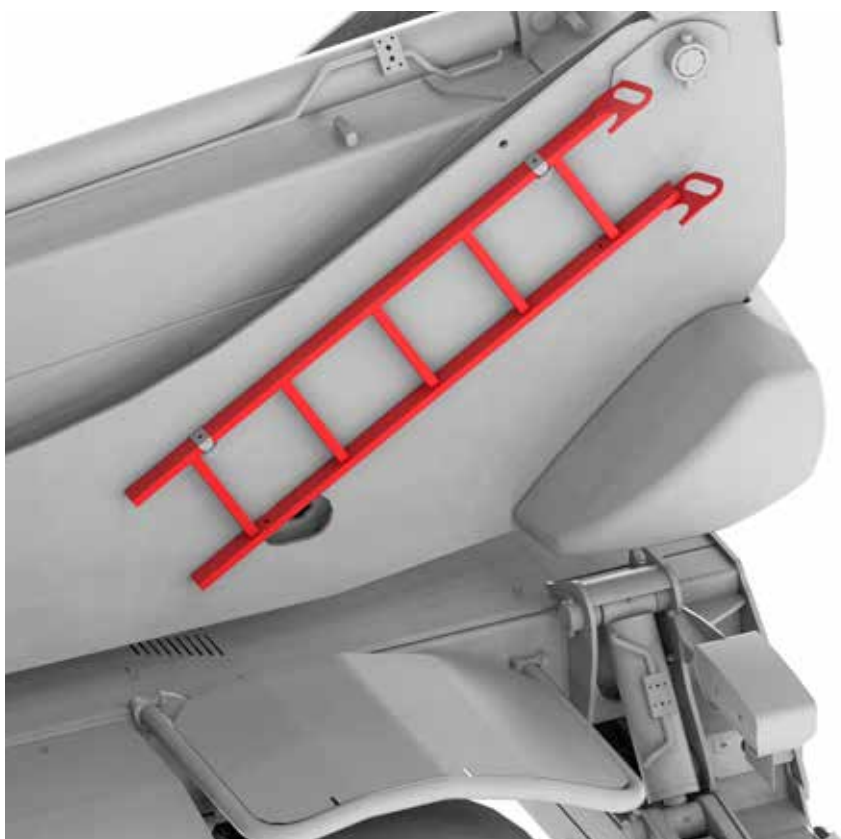
EXTERNAL BATTERY CUT-OFF

OPT-03-003

Option consisting of an electrical disconnect lever installed outside the engine compartment.

Existing kit

RTH - HTH - TH



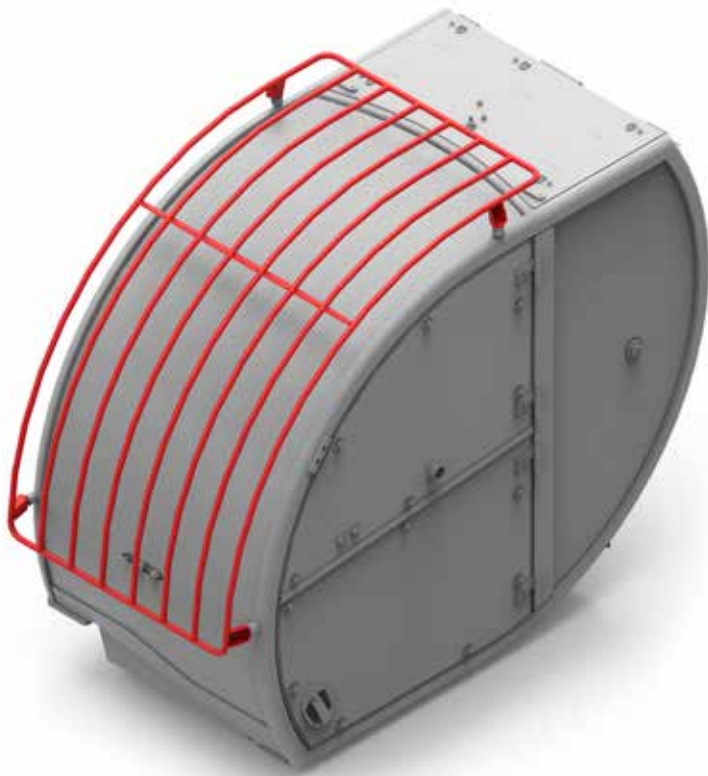
LADDER + SUPPORTS

OPT-03-004

Practical fixed metal ladder to reach the cab and any other part of the machine in complete safety.

Existing kit

RTH



PROTECTION GRID FOR WINDSHIELD

OPT-03-005

Protective metal grid installed on the outside of the windscreen to guarantee maximum safety in environments with a high risk of objects falling from height.

Existing kit

RTH - HTH - TH



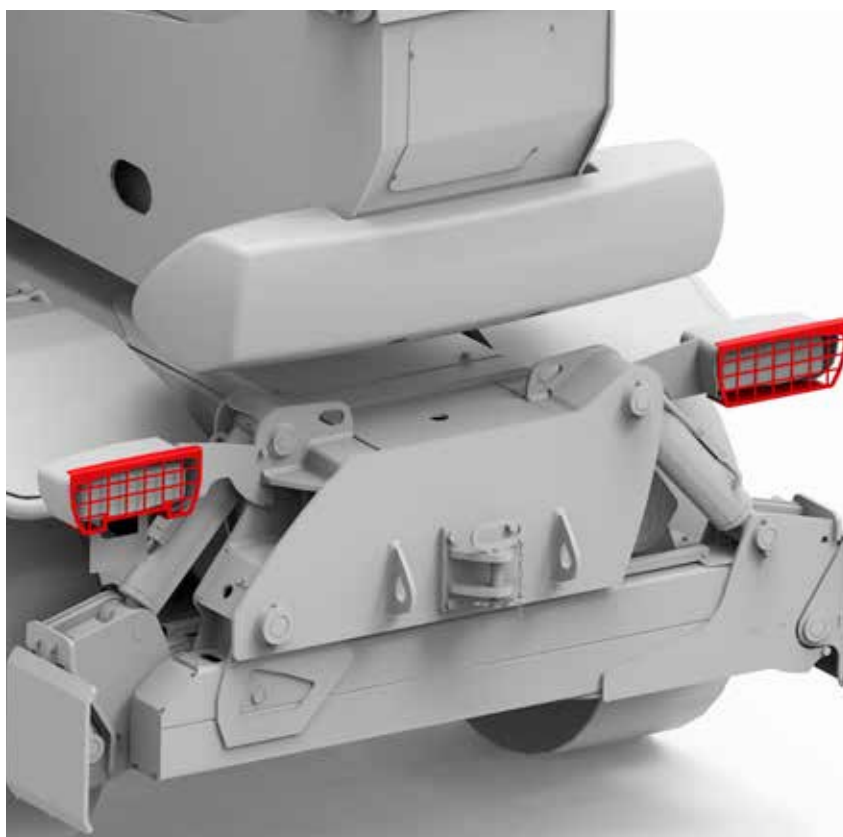
COMPLETE CAB'S GLASS PROTECTION

OPT-03-006

Complete metal protection grid for all the glasses in the cab. Specific for tunnelling or mining where the risk of fall of heavy objects is very high.

Existing kit

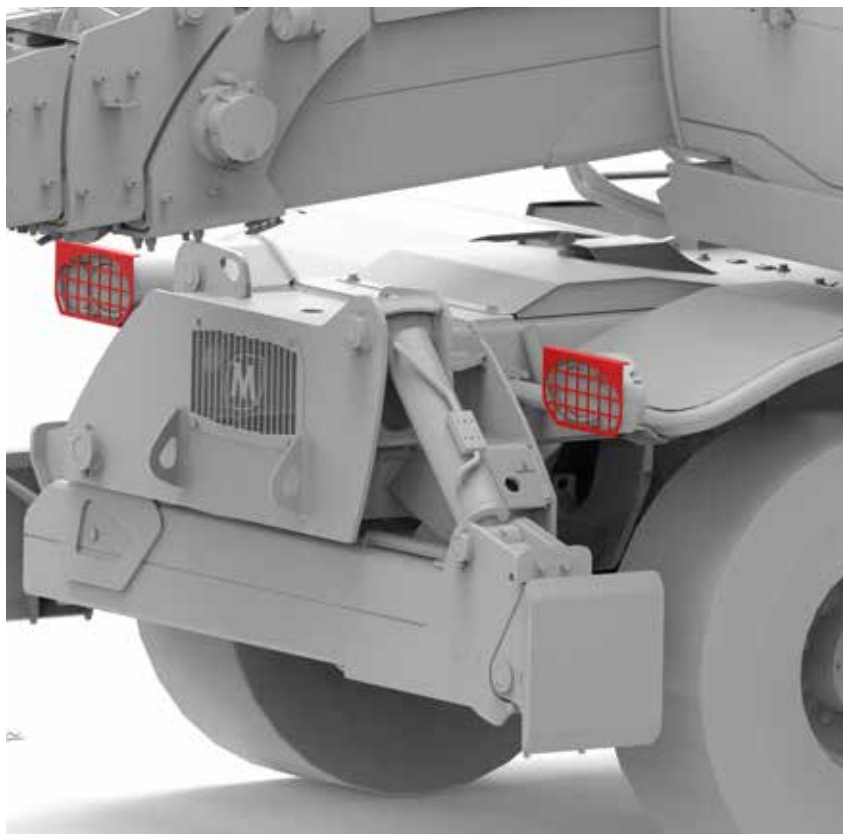
RTH - HTH - TH



HEADLAMP PROTECTION (RTH + TH)

OPT-03-009

Front and rear light protection option, often used with full cab protection. An optional ideal when using the machine in areas where there is risk of fall of objects from height.



Existing kit
RTH - TH







ANGLE SENSOR FOR Q- FIT

OPT-03-007

Quick coupling inclination sensor.

Existing kit

RTH - HTH - TH



WIRELESS ANEMOMETER

OPT-03-008

Extremely resistant and flexible wireless anemometer. Body and vanes are made of high quality plastic material and the rotor is mounted on stainless steel ball bearings. Specifically developed to be connected to the portable display, it uses an industrial radio frequency communication system on the 2.4 GHz band, in compliance with IEEE 802.15.4 standards. The connection system to the display is Plug & Play and therefore no configuration is required. Developed with a new lithium battery that has an autonomy of up to 36 months. The battery is not included.

Existing kit

RTH - HTH - TH



ANTISPARK SYSTEM (ANTISPARK + VALVE ON THE ENGINE)

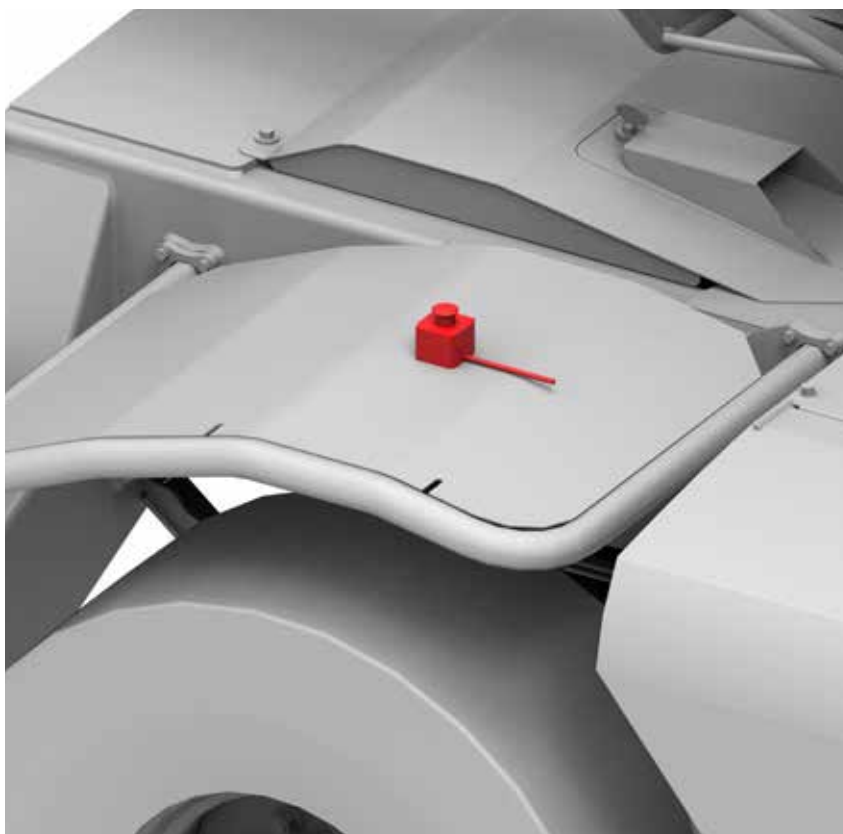
OPT-03-002

The engine is fitted with devices to prevent any sparks from exiting from the exhaust system, reducing greatly the risk for fire and explosions.

Option available only for Deutz engines.
Option not necessary for Stage V engines.

Existing kit

RTH - HTH - TH



EMERGENCY STOP BUTTONS

OPT-03-015

Option composed by 2 external buttons for the complete shut off of the machine mounted on the lateral sides of the chassis.

Existing kit

RTH - HTH - TH



HYDRAULIC TRAILER BRAKING

OPT-03-010

Option including hydraulic brake line for trailers.

Existing kit
RTH



SOLID TYRES

OPT-03-011

The mixture is composed of the highest quality raw materials to ensure excellent abrasion resistance and long life. The tyre is fuRTHer reinforced to reduce the amount of heat generated and provide excellent puncture resistance. The tread design offers good grip over a wide variety of surfaces, excellent stability and reduced rolling noise. The speed of the machine will be reduced for safety reasons with this option. The following kit is a replacement for the standard wheels.

Existing kit
RTH - HTH - TH



FOAM FILLED TYRES

OPT-03-012



This tyre virtually eliminates the risk of damage and blowouts, ensuring the machine remains in full working order and guaranteeing the highest levels of safety during all demanding uses. It is filled with a polyurethane foam which undergoes a chemical reaction and solidifies in 24 hours. The result is an elastomer which will not extrude either from cuts or holes, yet allows the tyre to deflect like a corresponding air-filled model. The speed of the machine will be reduced for safety reasons with this option. The following kit is a replacement for the standard wheels.

Existing kit

RTH - TH - HTH

RIGHT SPARE WHEEL

OPT-03-016 (445/65 R22,5)

OPT-03-018 (445/65 R19,5)

OPT-03-022 (16/70 R24)



Type-approved, pre-assembled right wheel composed of rim and tyre.

Existing kit

RTH - HTH - TH



LEFT SPARE WHEEL

OPT-03-017 (445/65 R22,5)

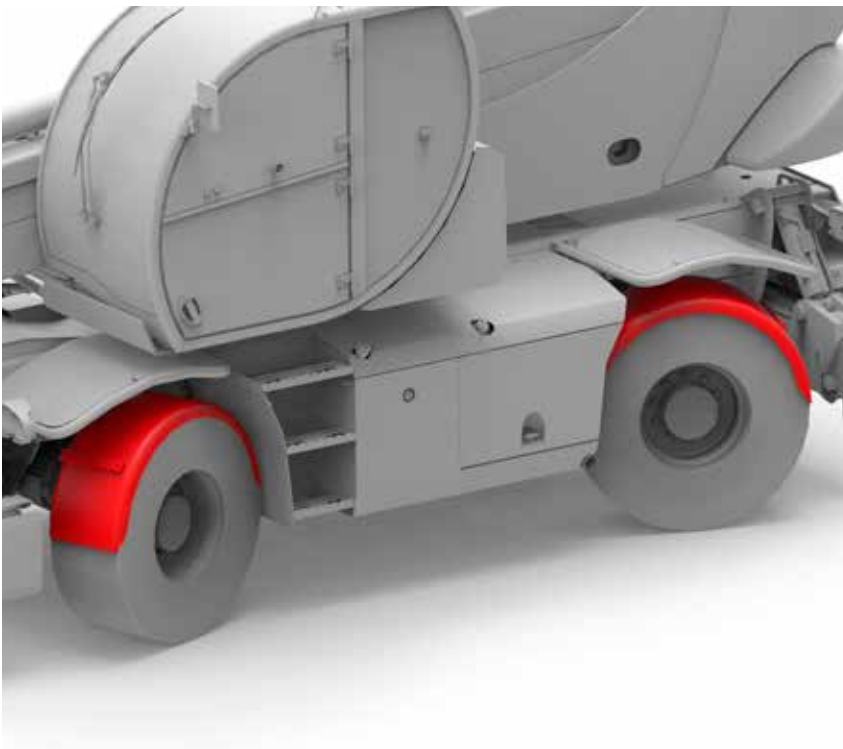
OPT-03-019 (445/65 R19,5)

OPT-03-023 (16/70 R24)

Type-approved, pre-assembled left wheel composed of rim and tyre.

Existing kit

RTH - HTH - TH



ROAD TYRES + EXTENDED MUDGUARD

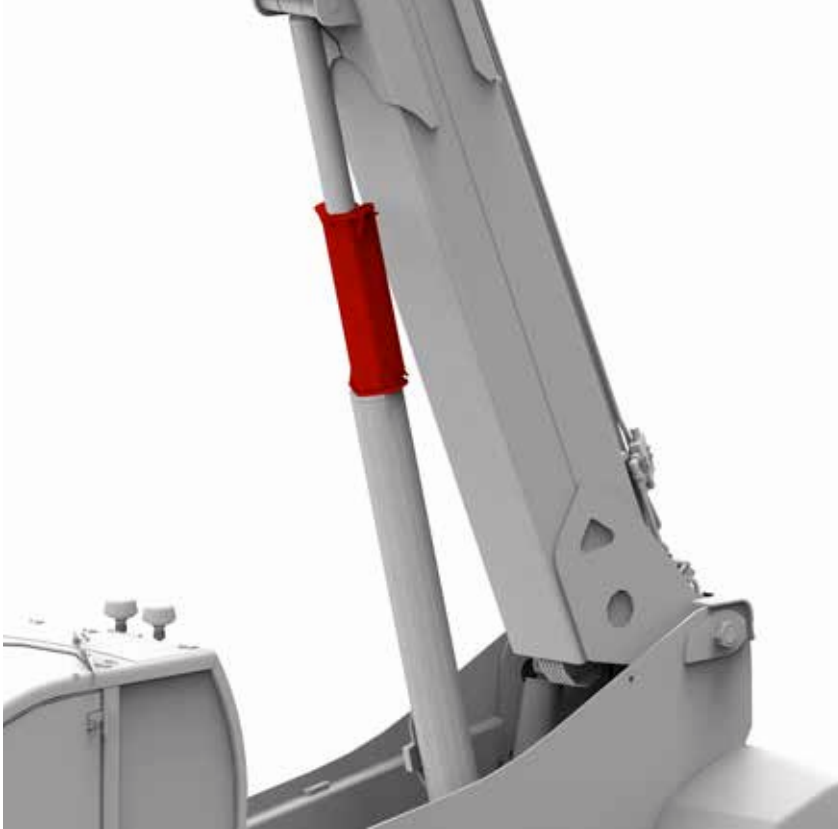
OPT-03-013

Option including 4 no. mudguards and 4 no. road tyres. This option helps to preserve carpentry and chromium plating of the vehicle.

Tyres type:
445/65 R22.5 AE77

Existing kit

RTH



LIFTING CYLINDER STOP

OPT-03-020

Safety device for stopping the lifting cylinder.

Existing kit

RTH - TH - HTH

		RTH 4.18	RTH 5.18	RTH 5.21	RTH 5.23	RTH 5.25	RTH 6.21	RTH 6.23	RTH 6.25	RTH 6.30	RTH 6.35	RTH 6.39	RTH 6.46	RTH 6.51	RTH 7.26	RTH 8.25	RTH 13.26
OPT - 03 - 001	Wheel chocks (2) HTH	-	-	-	-	-	-	-	-	-	-	-	-	-	-	-	-
OPT - 03 - 002	Antispark system (antispark + valve on the engine)	●	●	●	●	●	●	●	●	●	●	●	●	●	●	●	●
OPT - 03 - 003	External battery cut-off	●	●	●	●	●	●	●	●	●	●	●	●	●	●	●	●
OPT - 03 - 004	Ladder + supports	●	●	●	●	●	●	●	●	●	●	●	●	●	●	●	●
OPT - 03 - 005	Protection grid for windshield	●	●	●	●	●	●	●	●	●	●	●	●	●	●	●	●
OPT - 03 - 006	Complete cab's glass protection	●	●	●	●	●	●	●	●	●	●	●	●	●	●	●	●
OPT - 03 - 007	Angle sensor for quick fit	●	●	●	●	●	●	●	●	●	●	●	●	●	●	●	●
OPT - 03 - 008	Wireless anemometer	●	●	●	●	●	●	●	●	●	●	●	●	●	●	●	●
OPT - 03 - 009	Headlamp protection (Rth + th)	●	●	●	●	●	●	●	●	●	●	●	●	●	●	●	●
OPT - 03 - 010	Hydraulic trailer breaking	●	●	●	●	●	●	●	●	●	●	●	●	●	●	●	●
OPT - 03 - 011	Solid tyres	-	-	-	-	-	-	-	-	-	-	-	-	-	-	-	-
OPT - 03 - 012	Foam filled tyres	-	-	-	-	-	-	-	-	-	-	-	●	-	-	●	-
OPT - 03 - 013	Road tyres + extended mud-guard	●	●	●	●	●	●	●	●	●	●	●	●	●	●	●	●
OPT - 03 - 014	Wheel chocks (2) RTH - th	●	●	●	●	●	●	●	●	●	●	●	●	●	●	●	●
OPT - 03 - 015	Emergency stop buttons	●	●	●	●	●	●	●	●	●	●	●	●	●	●	●	●
OPT - 03 - 016	Right spare wheel 445/65 R22,5																ask your dealer
OPT - 03 - 017	Left spare wheel 445/65 R22,5																ask your dealer
OPT - 03 - 018	Right spare wheel 445/65 R19,5																ask your dealer
OPT - 03 - 019	Left spare wheel 445/65 R19,5																ask your dealer
OPT - 03 - 020	Lifting cylinder stop	●	●	●	●	●	●	●	●	●	●	●	●	●	●	●	●
OPT - 03 - 022	Right spare wheel 16/70 R24																ask your dealer
OPT - 03 - 023	Left spare wheel 16/70 R24																ask your dealer



SAFE & SECURE

HTH 10.10	HTH 16.10	HTH 20.10	HTH 24.11	HTH 27.11	HTH 30.12	HTH 35.12	HTH 50.14	TH 5.8	TH 5.8 P	THU 5.8	TH 6.10	TH 6.10 P	TH 5.5.15	TH 5.5.15 P	TH 5.5.19	TH 5.5.19 P	TH 6.20	TH 5.5.24
●	●	●	●	●	●	●	●	-	-	-	-	-	-	-	-	-	●	●
●	●	●	●	●	●	●	●	●	●	●	●	●	●	●	●	●	●	●
●	●	●	●	●	●	●	●	●	●	●	●	●	●	●	●	●	●	●
●	●	●	●	●	●	●	●	-	-	-	-	-	-	-	-	-	●	●
●	●	●	●	●	●	●	●	●	●	●	●	●	●	●	●	●	●	●
●	●	●	●	●	●	●	●	●	●	●	●	●	●	●	●	●	●	●
-	-	-	-	-	-	-	-	●	●	●	●	●	●	●	●	●	-	-
●	●	●	●	●	●	●	●	●	●	●	●	●	●	●	●	●	●	●
●	●	●	●	●	●	●	●	-	-	-	-	-	-	-	-	-	●	●
-	-	-	-	-	-	-	-	●	●	●	●	●	●	●	●	●	●	-
-	-	-	●	-	-	-	-	●	●	●	●	●	●	●	●	●	-	-
●	●	●	●	●	●	●	●	-	-	-	-	-	-	-	-	-	●	●
-	-	-	-	-	-	-	-	●	●	●	●	●	●	●	●	●	●	●
●	●	●	●	●	●	●	●	●	●	●	●	●	●	●	●	●	●	●
								ask your dealer										
								ask your dealer										
								ask your dealer										
								ask your dealer										
●	●	●	●	●	●	●	●	●	●	●	●	●	●	●	●	●	●	●
								ask your dealer										
								ask your dealer										

● = Available

- = Not Available

✓ = On board





SPECIAL CERTIFICATIONS

Magni offers its network special certifications required for various markets. Search for the one you require.

04

TUV

OPT-04-001

The TÜV kit has been designed to make the machine compliant for operation in the Netherlands and Germany in accordance with applicable regulations. Specifically, the kit includes a three-element LED signal light tower to indicate the load status, and other minor electronic and mechanical provisions.

For rotating models, an additional ladder installed on the machine turret is also included. This is a mandatory kit for all machines destined for the above-mentioned countries. Type approval is not included.

Existing kit
RTH - HTH - TH

ITALIAN ROAD USE PROVISION

OPT-04-002

Option for road use including electronic, mechanical, lighting and signalling devices, as well as adhesive warning stickers and signage, required for road use as specified by the relevant highway codes.

Existing kit
RTH - TH

NETHERLANDS AND GERMANY ROAD USE PROVISION

OPT-04-004

Option for road use including electronic, mechanical, lighting and signalling devices, as well as adhesive warning stickers and signage, required for road use as specified by the relevant highway codes.

Existing kit
RTH - TH

BUREAU VERITAS CERTIFICATION

OPT-04-006

Certification relating to quality standards, which certifies conformity of the product with applicable standards and regulations. The certification is issued by the organisation Bureau Veritas Certification and is available for the **French market only**.

Existing kit
RTH - TH - HTH



		RTH 4.18	RTH 5.18	RTH 5.21	RTH 5.23	RTH 5.25	RTH 6.21	RTH 6.23	RTH 6.25	RTH 6.30	RTH 6.35	RTH 6.39	RTH 6.46	RTH 6.51	RTH 7.26	RTH 8.25	RTH 13.26
OPT-04-001	TÜV	●	●	●	●	●	●	●	●	●	●	●	●	●	●	●	●
OPT-04-002	Italian road use provision	●	●	●	●	●	●	●	●	●	●	●	●	●	●	●	●
OPT-04-004	Netherlands and Germany road use provision	●	●	●	●	●	●	●	●	●	●	●	●	●	●	●	●
OPT-04-006	Bureau veritas certification	●	●	●	●	●	●	●	●	●	●	●	●	●	●	●	●



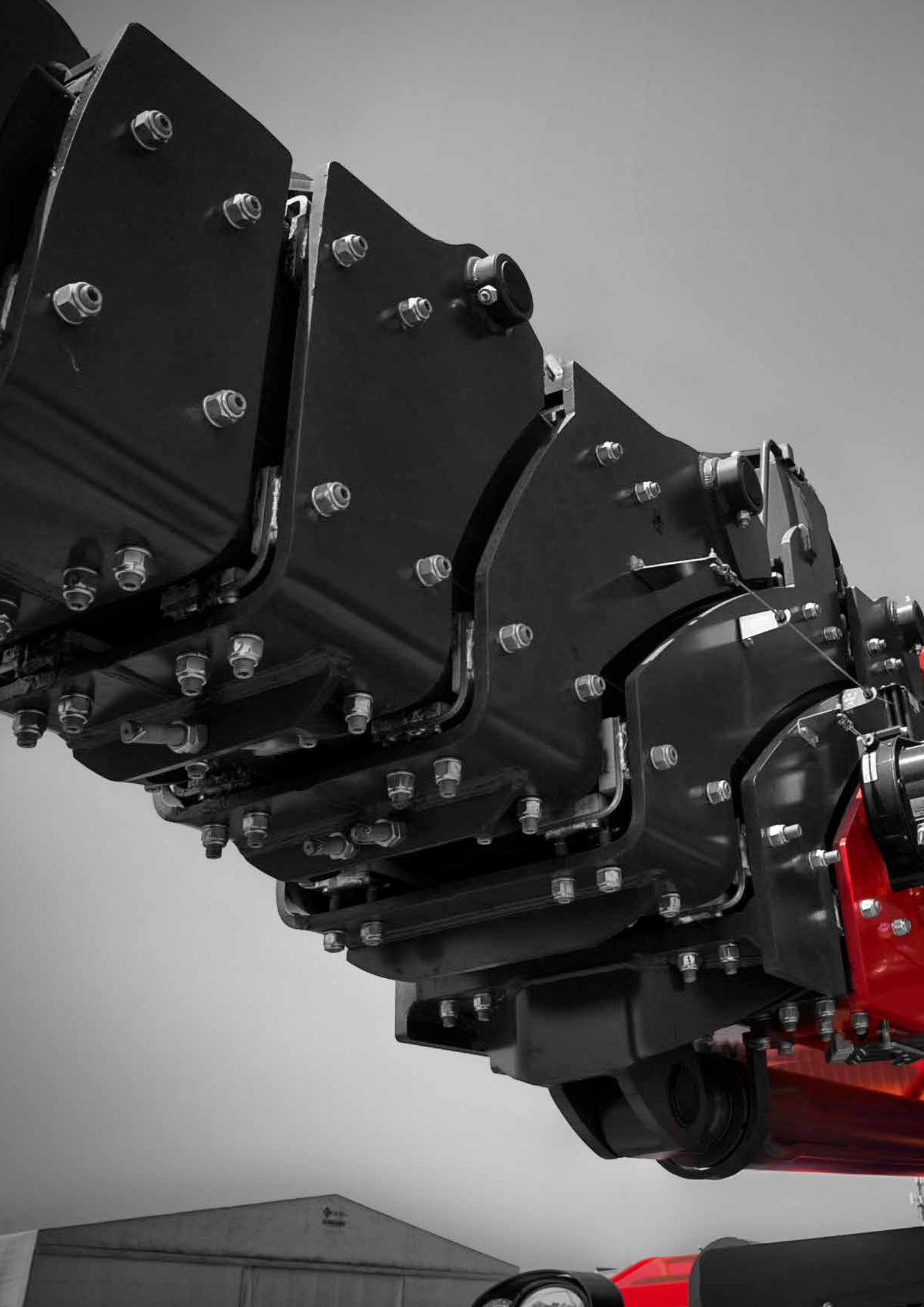
ROAD & TRAFFIC POLICY

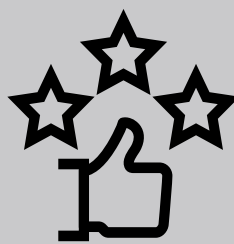
HTH 10.10	HTH 16.10	HTH 20.10	HTH 24.11	HTH 27.11	HTH 30.12	HTH 35.12	HTH 50.14	TH 5.8	TH 5.8 P	THU 5.8	TH 6.10	TH 6.10 P	TH 5,5.15	TH 5,5.15 P	TH 5,5.19	TH 5,5.19 P	TH 6.20	TH 5.24
-	-	-	-	-	-	-	-	●	●	●	●	●	●	●	●	●	●	●
-	-	-	-	-	-	-	-	●	●	●	●	●	●	●	●	●	●	●
-	-	-	-	-	-	-	-	●	●	●	●	●	●	●	●	●	●	●
-	-	-	-	-	-	-	-	●	●	●	●	●	●	●	●	●	●	●

● = Available

- = Not Available

✓ = On board

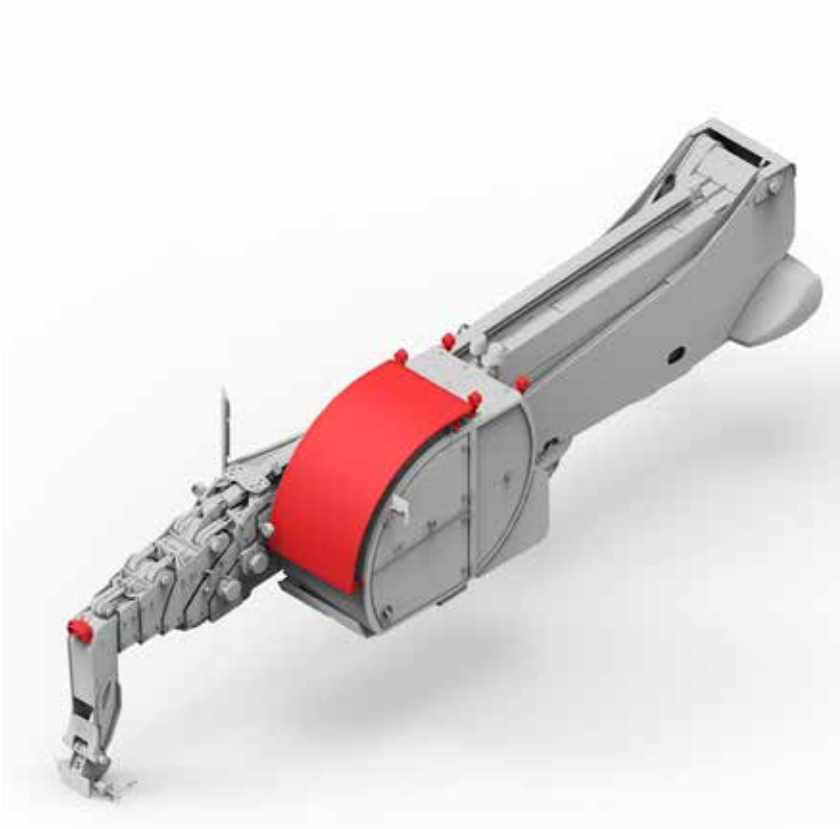




SPECIAL

For each special application **Magni** has the right solution, that allow you to do the job in complete safety and even improve the machine's performances.

05



PRE ARRANGEMENT FOR TREE CUTTING DEVICE

OPT-05-001

This option prepares the machine for connection with the tree cutting attachment.

The kit comprises: front and rear cab work lights, left-hand joystick with double roller, FNR right-hand joystick + roller, protection grille and boom head video camera.

Existing kit

RTH



BOOM PROTECTION FOR TREE CUTTING DEVICE AND DUSTY ENVIRONMENTS

OPT-05-005

Set of caps and protections for the boom holes to protect from intrusion of dust and debris in the boom.

Existing kit

RTH





ELEVATING CAB

OPT-05-004

Option which allows the cab to be installed on a mobile hydraulic support to obtain an elevation of up to 1.5 m and a further degree of freedom of cab inclination from 0° to a maximum of 15°. With this optional, the maximum speed of the machine is limited to 25 km/h.

Existing kit
RTH



MY MAGNI

OPT-05-010



The new GPS system that can provide a total overview that enables you to map and track every movement of your fleet, and displays the most critical items on your dashboard.

Technical alarms and maintenance data help to keep your fleet running and in perfect condition at all times.

Whereas, safety warnings alert you of malfunctions and safety-related defects.

MyMagni is available on Desktop, Apple Store and Google Play Store.

For the RTH and HTH range, the first three years' subscription is included in the price of the machine.

Existing kit
RTH - HTH - TH





SPECIAL PAINTING (COMPLETE MACHINE)

OPT-05-002

Option consisting of custom colour for the following machine parts: chassis, stabilisers, cab, boom and extensions.



On request

RTH - HTH - TH



SPECIAL PAINTING (REPLACING ONLY MAGNI RED)

OPT-05-003

Option consisting of custom colour for the following machine parts: chassis-turret and boom, and engine compartment/tank.

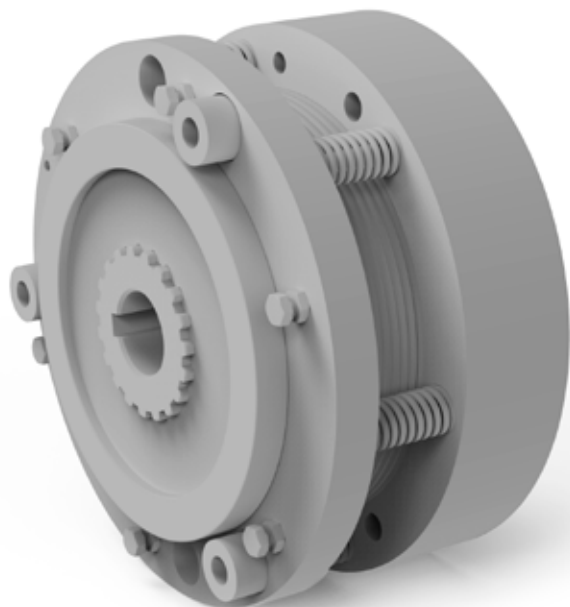
On request

RTH - HTH - TH



INDUCTION BRAKE SYSTEM FOR RTH

OPT-05-006

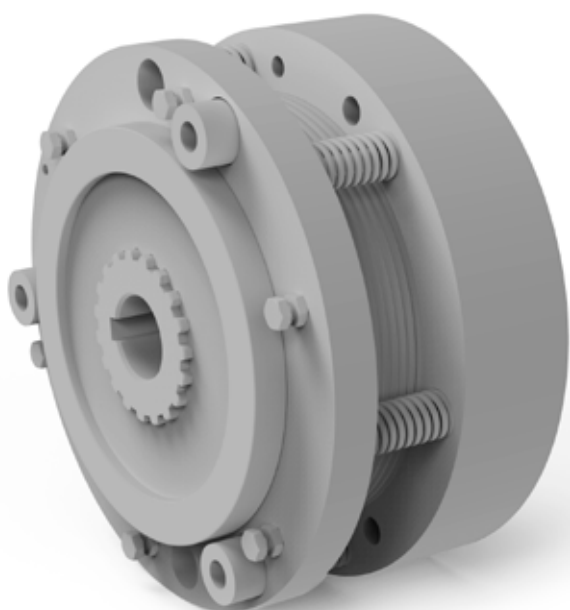


Induction brakes commonly called electric or electromagnetic retarders allow slowing down braking, dissipating a large part of the braking energy and thus relieving the load on conventional braking systems. Thanks to induction brakes it is possible to effectively slow down a rotating transmission shaft, without friction and therefore without wear.

On request
RTH

INDUCTION BRAKE SYSTEM FOR HTH

OPT-05-007



Induction brakes commonly called electric or electromagnetic retarders allow slowing down braking, dissipating a large part of the braking energy and thus relieving the load on conventional braking systems. Thanks to induction brakes it is possible to effectively slow down a rotating transmission shaft, without friction and therefore without wear.

On request
HTH

		RTH 4.18	RTH 5.18	RTH 5.21	RTH 5.23	RTH 5.25	RTH 6.21	RTH 6.23	RTH 6.25	RTH 6.30	RTH 6.35	RTH 6.39	RTH 6.46	RTH 6.51	RTH 7.26	RTH 8.25	RTH 13.26
OPT - 05 - 001	Pre arrangement for tree cutting device	●	●	●	●	●	●	●	●	●	●	●	●	●	●	●	●
OPT - 05 - 002	Boom protection for tree cutting device and dusty environments	●	●	●	●	●	●	●	●	●	●	●	●	●	●	●	●
OPT - 05 - 003	Elevating cab	●	●	●	●	●	●	●	●	●	●	●	●	●	●	●	●
OPT - 05 - 004	Special painting (complete machine)	●	●	●	●	●	●	●	●	●	●	●	●	●	●	●	●
OPT - 05 - 005	Special painting (replacing only Magni red)	●	●	●	●	●	●	●	●	●	●	●	●	●	●	●	●
OPT - 05 - 006	Induction brake system for RTH	●	●	●	●	●	●	●	●	●	●	●	●	●	●	●	●
OPT - 05 - 007	Induction brake system for HTH	-	-	-	-	-	-	-	-	-	-	-	-	-	-	-	-
OPT - 05 - 010	MyMagni	✓	✓	✓	✓	✓	✓	✓	✓	✓	✓	✓	✓	✓	✓	✓	✓



HTH 10.10	HTH 16.10	HTH 20.10	HTH 24.11	HTH 27.11	HTH 30.12	HTH 35.12	HTH 50.14	TH 5.8	TH 5.8 P	THU 5.8	TH 6.10	TH 6.10 P	TH 5.5.15	TH 5.5.15 P	TH 5.5.19	TH 5.5.19 P	TH 6.20	TH 5.5.24
●	●	●	●	●	●	●	●	■	■	■	■	■	■	■	■	■	■	■
●	●	●	●	●	●	●	●	■	■	■	■	■	■	■	■	■	■	■
●	●	●	●	●	●	●	●	■	■	■	■	■	■	■	■	■	■	■
●	●	●	●	●	●	●	●	●	●	●	●	●	●	●	●	●	●	●
●	●	●	●	●	●	●	●	●	●	●	●	●	●	●	●	●	●	●
■	■	■	■	■	■	■	■	■	■	■	■	■	■	■	■	■	■	■
●	●	●	●	●	●	●	●	■	■	■	■	■	■	■	■	■	■	■
✓	✓	✓	✓	✓	✓	✓	✓	●	●	●	●	●	●	●	●	●	●	●

● = Available

■ = Not Available

✓ = On board





ALPHABETICAL INDEX

Option Code	Description	SECTION
OPT - 02 - 002	110/220 V plug at boom head	2-2
OPT - 01 - 016	12" Display	1-14
OPT - 01 - 002	Additional heater 24v (Eberspaecher)	1-2
OPT - 01 - 017	Air conditioning (RTH 4.18)	1-14
OPT - 01 - 022	Air conditioning for (TH 55kW)	1-14
OPT - 01 - 009	Air suspended seat	1-10
OPT - 01 - 019	Air suspended seat with heating 24V	1-13
OPT - 03 - 007	Angle sensor for quick fit	3-8
OPT - 03 - 002	Antispark system (antispark + valve on the engine)	3-9
OPT - 02 - 018	Automatic greasing system	2-2
OPT - 02 - 038	Automatic greasing system	2-2
OPT - 02 - 026	Bio hydraulic oil	2-17
OPT - 05 - 005	Boom protection for tree cutting device and dusty environments	5-2
OPT - 01 - 001	Boom suspension	1-3
OPT - 04 - 006	Bureau Veritas Certification	4-2
OPT - 03 - 006	Complete cab's glass protection	3-4
OPT - 02 - 013	Complete tool box	2-12
OPT - 02 - 015	Complete towing hook	2-11
OPT - 02 - 022	Double hydraulic output at the boom head	2-15
OPT - 02 - 012	Drive from the basket	2-10
OPT - 02 - 035	Drive from the basket	2-10
OPT - 02 - 037	Drive from the basket	2-10
OPT - 05 - 004	Elevating cab	5-2
OPT - 03 - 015	Emergency stop buttons	3-9
OPT - 03 - 003	External battery cut-off	3-3
OPT - 03 - 012	Foam filled tyres	3-11
OPT - 02 - 006	Front and rear led headlamps	2-4
OPT - 03 - 009	Headlamp protection (Rth + th)	3-5
OPT - 01 - 013	Heated rear view mirrors (all) 24v	1-12
OPT - 01 - 012	Heated seat 24v	1-11

Option Code	Description	SECTION
OPT - 02 - 033	Heater for engine coolant (110V)	2-18
OPT - 02 - 027	Heater for engine coolant (230V)	2-18
OPT - 02 - 019	Holder for stabilizers' plastic pads (including the pads) RTH	2-13
OPT - 02 - 032	Holder for stabilizers' plastic pads (including the pads) th	2-14
OPT - 02 - 021	Hydraulic block for turret rotation	2-15
OPT - 02 - 020	Hydraulic lock for attachments	2-14
OPT - 02 - 025	Hydraulic oil for cold climate	2-17
OPT - 02 - 029	Hydraulic oil heater (230v)	2-18
OPT - 03 - 010	Hydraulic trailer breaking	3-10
OPT - 05 - 007	Induction brake system for HTH	5-7
OPT - 05 - 006	Induction brake system for RTH	5-7
OPT - 03 - 004	Ladder + supports	3-3
OPT - 02 - 007	LED lights on the boom	2-5
OPT - 02 - 005	LED lights on the bottom of the cab front	2-4
OPT - 02 - 003	LED lights on top of the cab front	2-3
OPT - 02 - 004	LED lights on top of the cab rear	2-3
OPT - 03 - 023	Left spare wheel 16/70 R24	3-12
OPT - 03 - 019	Left spare wheel 445/65 R19,5	3-12
OPT - 03 - 017	Left spare wheel 445/65 R22,5	3-12
OPT - 03 - 020	Lifting cylinder stop	3-13
OPT - 05 - 010	MyMagni	5-2
OPT - 04 - 004	Netherlands and Germany road use provision	4-2
OPT - 01 - 020	No. 1 wired camera on the rear	1-4
OPT - 01 - 021	No. 1 wired camera on the rear	1-4
OPT - 01 - 005	No. 1 wireless Camera on the rear	1-4
OPT - 01 - 006	No. 2 Cameras (front + rear wireless + monitor in the cab)	1-5
OPT - 01 - 007	No. 3 Cameras (2 front + 1 rear wireless + monitor in the cab)	1-6
OPT - 01 - 018	No. 4 Cameras	1-7
OPT - 01 - 008	No. 4 Cameras 360° view	1-7
OPT - 01 - 004	No.1 camera on right hand side	1-3

ALPHABETICAL INDEX

Option Code	Description	SECTION
OPT - 02 - 014	Nordic package	2-16
OPT - 05 - 001	Pre arrangement for tree cutting device	5-2
OPT - 02 - 031	Pre arrangement for Twin power 400 V	2-19
OPT - 03 - 005	Protection grid for windshield	3-4
OPT - 02 - 024	Quick boom in/out	2-11
OPT - 01 - 015	Radio dab	1-13
OPT - 02 - 017	Rear electric plug 24v for trailer (13 pins)	2-13
OPT - 02 - 016	Rear electric plug 24v for trailer (7 pins)	2-12
OPT - 01 - 003	Remote control for additional heater 24v (Eberspäecher)	1-2
OPT - 02 - 009	Remote control for driving operations from basket with display	2-6
OPT - 02 - 011	Remote control for tree cutting with display	2-7
OPT - 03 - 022	Right spare wheel 16/70 R24	3-11
OPT - 03 - 018	Right spare wheel 445/65 R19,5	3-11
OPT - 03 - 016	Right spare wheel 445/65 R22,5	3-11
OPT - 03 - 013	Road tyres + extended mudguard	3-12
OPT - 04 - 002	Road use Italy	4-2
OPT - 01 - 014	Roll-up sunblind	1-12
OPT - 01 - 011	Seat headrest	1-11
OPT - 03 - 011	Solid tyres	3-10
OPT - 05 - 002	Special painting (complete machine)	5-6
OPT - 05 - 003	Special painting (replacing only Magni red)	5-6
OPT - 02 - 008	Standard remote control	2-5
OPT - 02 - 034	Standard remote control	2-5
OPT - 01 - 010	Tilting seat	1-10
OPT - 02 - 023	Triple hydraulic output at the boom head	2-16
OPT - 04 - 001	TÜV	4-2
OPT - 02 - 036	Twin power 400V	2-19
OPT - 03 - 001	Wheel chocks (2) HTH	3-2
OPT - 03 - 014	Wheel chocks (2) RTH - TH	3-2
OPT - 03 - 008	Wireless anemometer	3-8



