

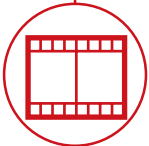
RTH 13.26



CONSTRUCTION



LOGISTICS



EVENTS AND
FILM



RTH
13.26



CAB

Best-in-class
safety and visibility



PERFORMANCE

Unrivalled lifting
performance

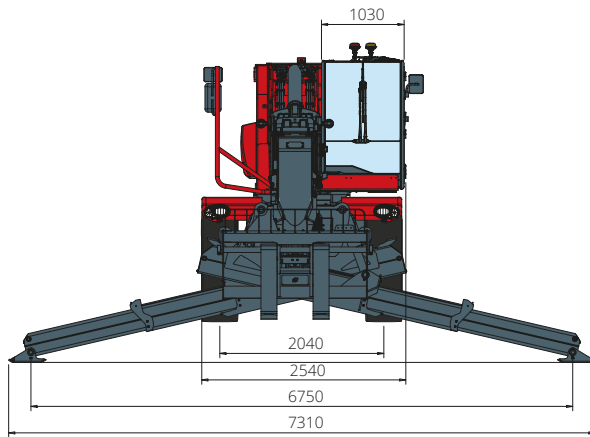


LOAD LIVE DIAGRAM

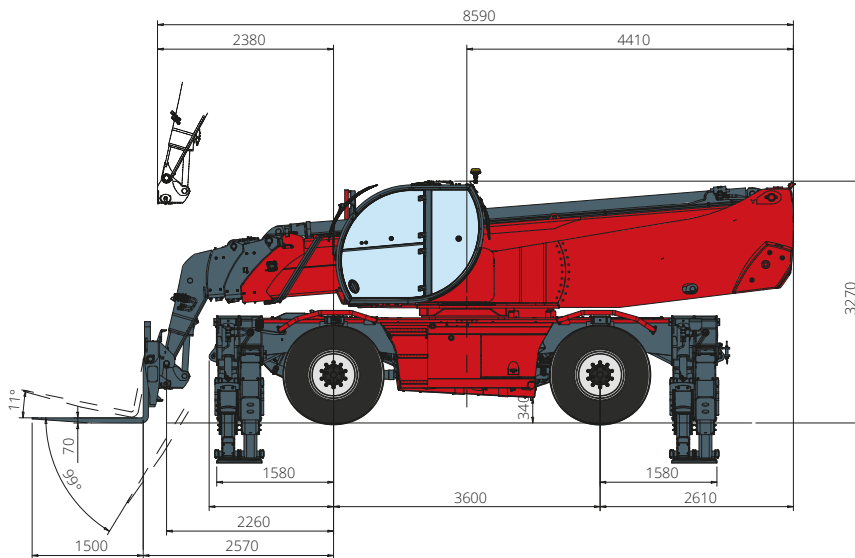
Three real-time dynamic
load charts

RTH 13.26

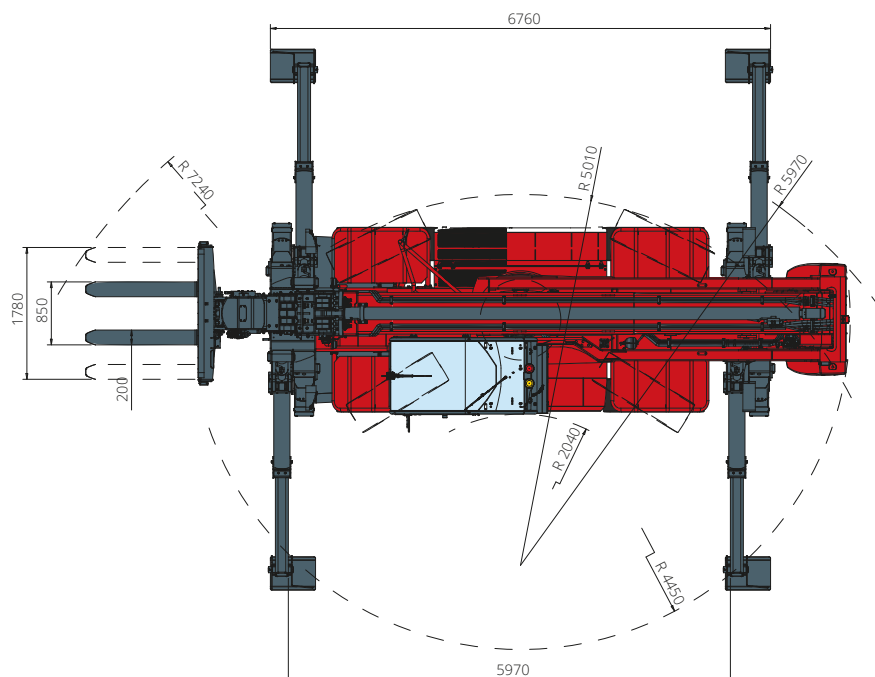
DIMENSIONS (mm)



FRONT
view



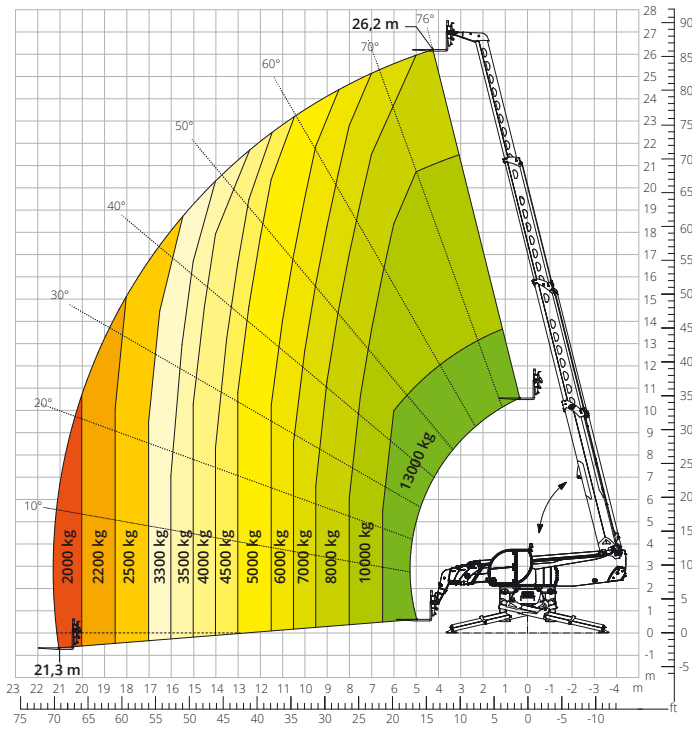
SIDE
view



view

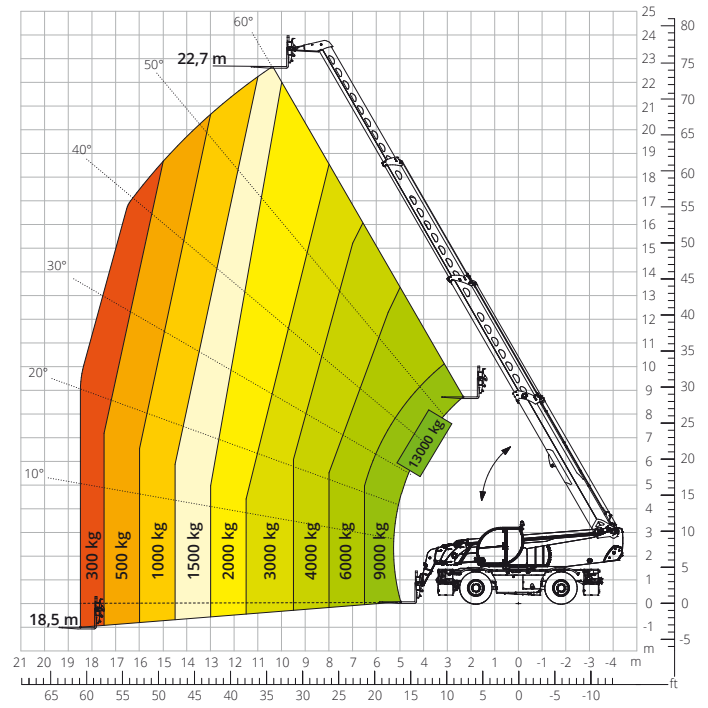
Load chart with
FULLY EXTENDED STABILISERS (360°)

ATT - 03 - 021



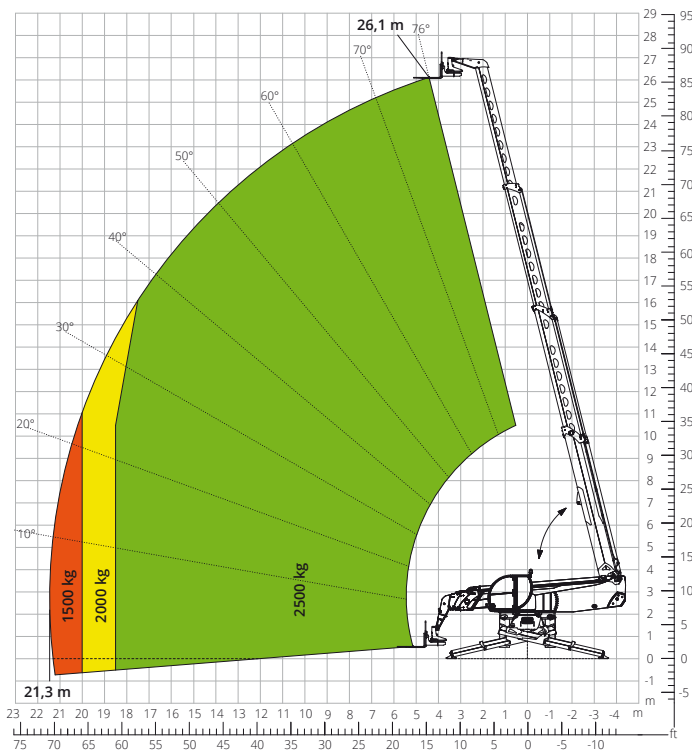
Load chart
FRONT ATTACHMENT ON TYRES

ATT - 03 - 021



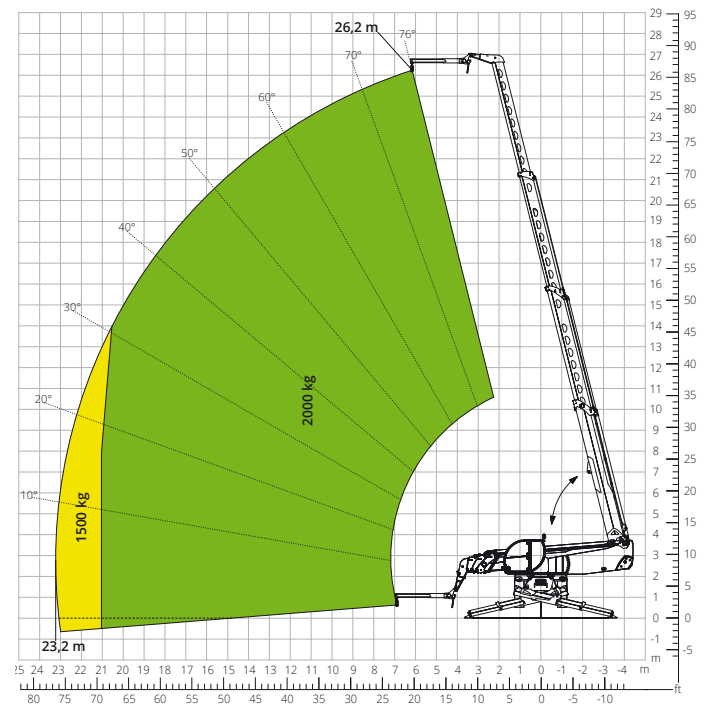
Load chart with
ROTATING FORKS, 5,000 kg

ATT - 03 - 041



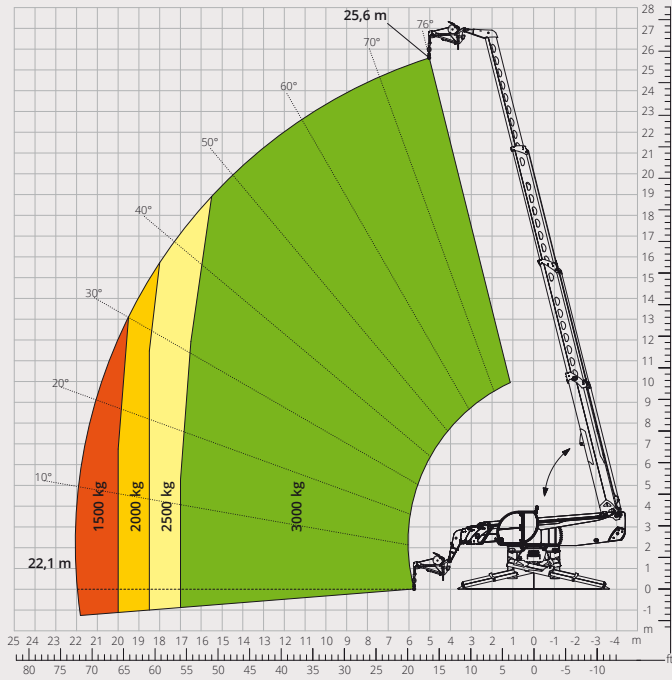
Load chart with
JIB 2,000 kg"

ATT - 04 - 013



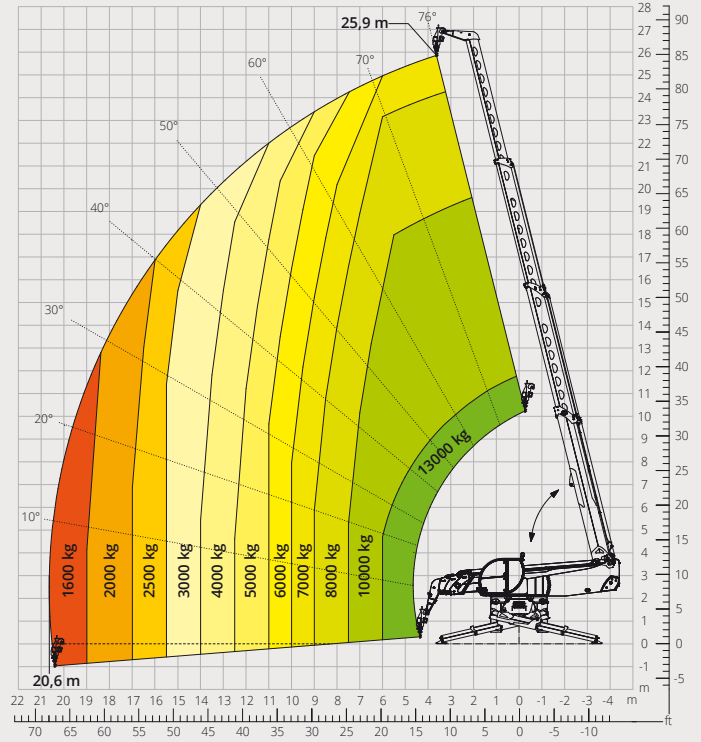
Load chart with
JIB WITH WINCH, 3,000 kg

ATT - 04 - 019



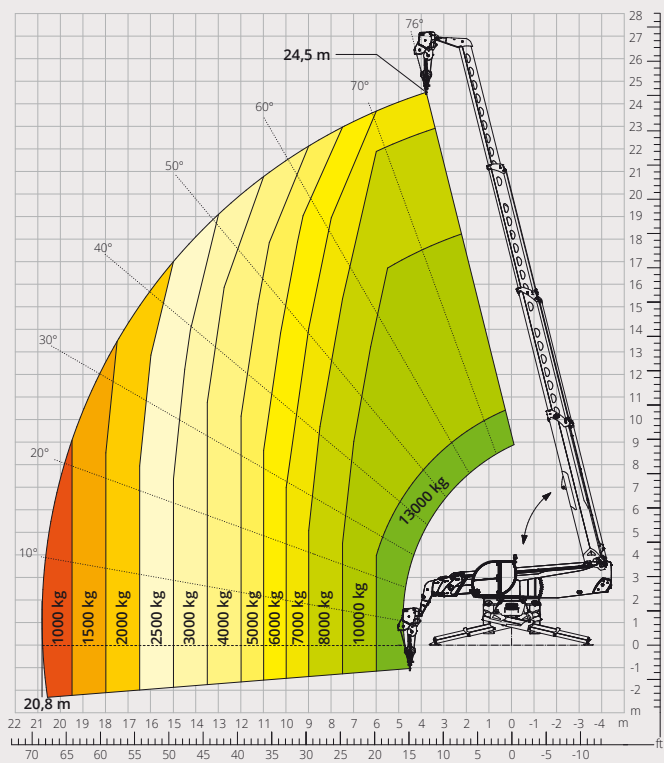
Load chart with
HOOK, 13,000 kg

ATT - 05 - 013



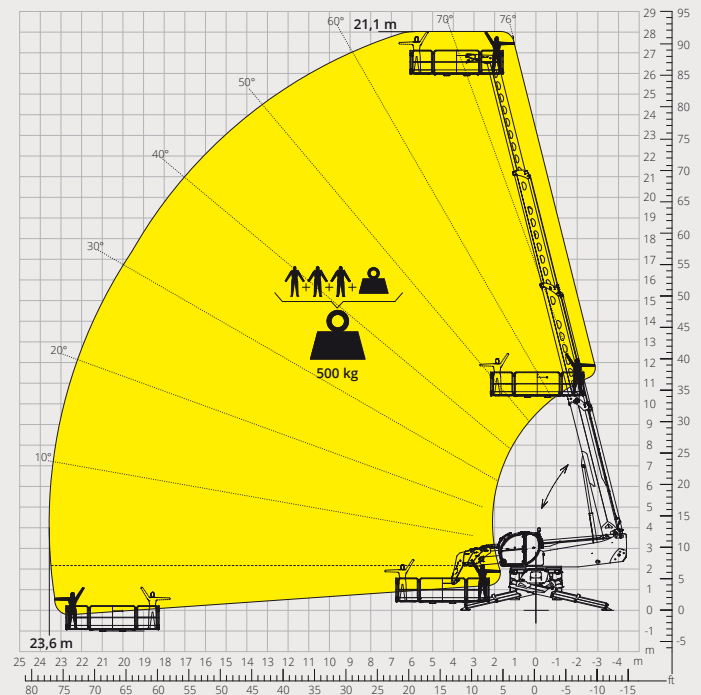
Load chart with
WINCH, 13,000 kg

ATT - 02 - 018

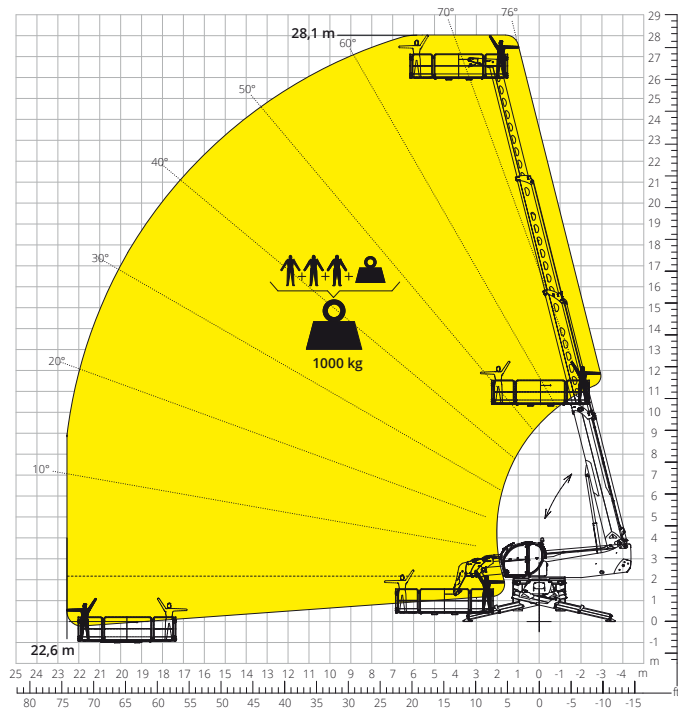


Load chart with
ROTATING EXTENDABLE PLATFORM, 500 kg

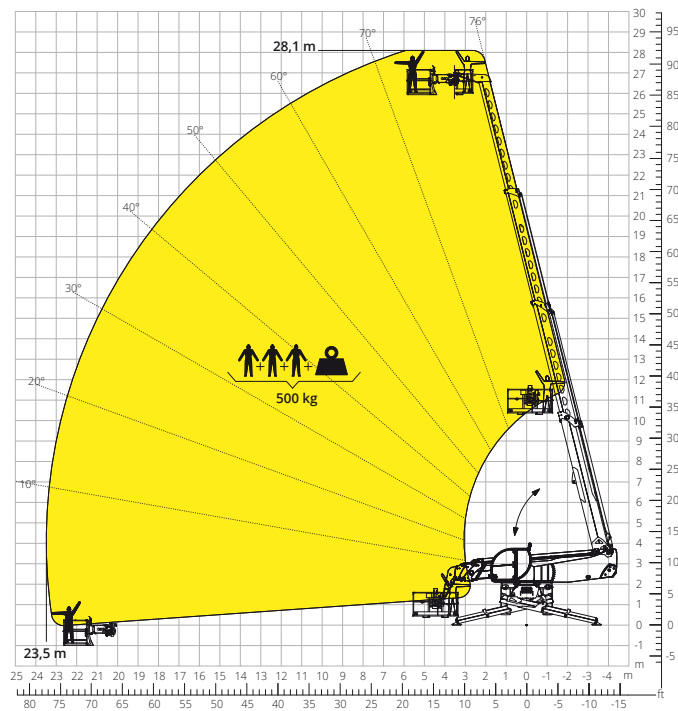
ATT - 01 - 007



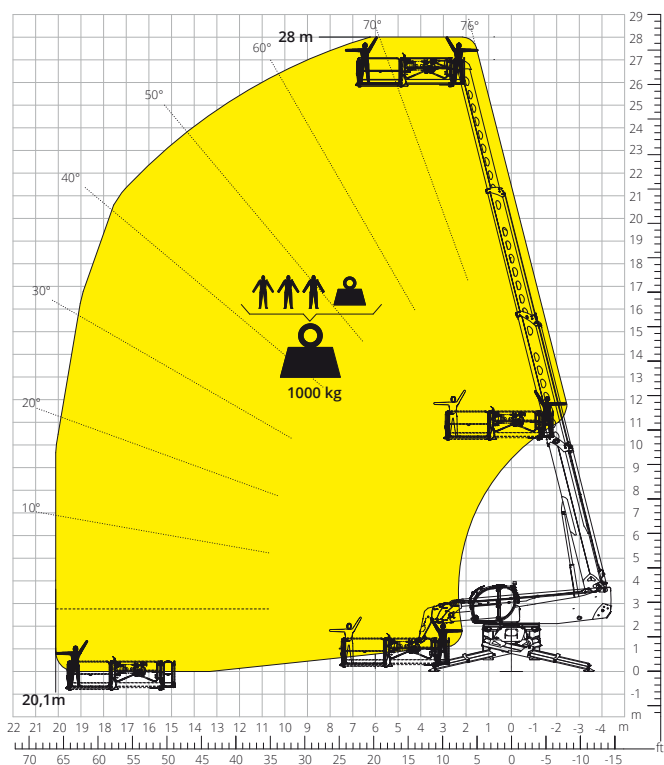
Load chart with
ROTATING EXTENDABLE PLATFORM
1,000 kg
ATT - 01 - 016



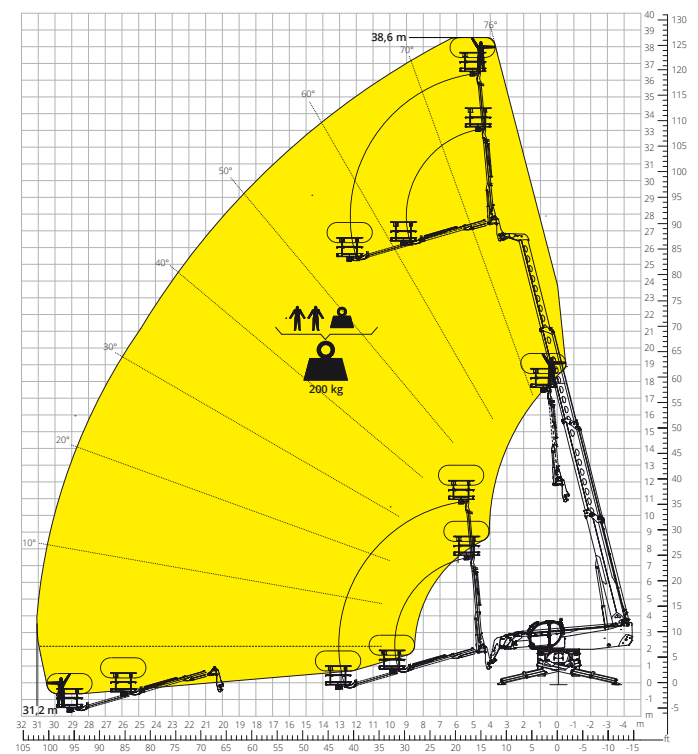
Load chart with
ROTATING NON-EXTENDABLE PLATFORM, 500 kg
ATT - 01 - 005



Load chart with
EXTENDABLE PLATFORM FOR ROOFS, 1,000 kg
ATT - 01 - 020



Load chart with
TELESCOPIC PLATFORM, 200 kg - 10 m
ATT - 01 - 022



Machine model	Rotating telescopic handler	RTH 13.26	
	Maximum lifting capacity	13,000 kg	
	Maximum lifting height	26.20 m	
	Maximum reach	21.30 m	
	Rotation	360° (continuous)	
Stabilisers	Type	Telescopic scissor	
Engine	Model	Volvo TAD 552 VE Stage IIIA	Volvo TAD 583 VE Stage V
	Rated power	160 kW (218 hp) at 2,200 rpm	175 kW (238 hp) at 2,300 rpm
	Maximum torque	910 Nm at 1,450 rpm	975 Nm at 1,380 rpm
	Displacement	5.13 l	
	Cylinders	4 in line	
	Engine type	Turbocharged direct injection diesel	
	Cooling system	Water – intercooler	
Transmission	Type	Hydrostatic	
	Maximum pressure	480 bar	
	Gearbox	Dropbox, 2 speeds forward-reverse	
Axles and brakes	Type	Axles with planetary gearboxes	
	Front axle	Oscillating and steering with levelling, +/-8°	
	Rear axle	Oscillating and steering with hydraulic lock	
	No. of driving/steering wheels	4WD - 4WS	
	Steering mode	Frontal/Concentric/Crab	
	Service brake	Wet multi-disk on front and rear axle	
	Parking brake	Hydraulic with negative action on front axle	
Performance	Tyre sizes	17.5 R25	
	Max. travel speed	25 km/h	
	Gradeability (unladen)	48%	
Weights	Turning radius (at forks)	7,240 mm	
	Total unladen*	30,600 kg	
	Front axle unladen (boom retracted and lowered)*	10,600 kg	
	Rear axle unladen (boom retracted and lowered)*	20,000 kg	
Tank and system capacities	Diesel fuel	235 l	235 l
	AdBlue	-	40 l
	Hydraulic fluid	310 l	310 l
	Engine oil	16 l	16 l
	Coolant	40 l	40 l
Hydraulic circuit for movements	Circuit type	Load sensing	
	Service pump	Variable displacement	
	Max. hydraulic flow rate	205 l/min	
	Max. boom head flow rate	100 l/min	
	Max. working pressure	350 bar	
	Distributor for boom and turret movements	SIL 2 electro-proportional valve	
	Movements control	Dual joystick with integrated manoeuvre enable	
Standards met	2006/42/EC: EU Machinery Directive		
	2016/1628: EU Regulation on the emissions of stage V engines		
	EN 1459-X: Relating to standards on the safety requirements for variable reach machines		
	EN 280-1/EN 280-2: standards relating to mobile elevating work platforms (if available)		
	ROPS/level 2 FOPS: relating to the standards for protective structures		

The data given in this brochure are provided for information purposes and are subject to change without prior notice.

All images are purely guideline and might not give an exact representation of the product.

*the stated weight refers to the vehicle unladen with standard equipment and may vary depending on the chosen configuration.

The standard machine configuration includes:

CAB

- Premium tilting seat with air suspension and headrest
- Adjustable steering column
- Analogue joypad
- Adjustable sunblind
- Heating
- Air conditioning
- FM/AM radio with USB and Bluetooth connectivity
- Ambient LED lights
- USB Type-A and Type-C (5 V) inputs

REAL TIME INFORMATION

- Touchscreen, 12"
- MCTS – Magni Combi Touch System on-board software
- Automatic RFID tools recognition system
- LMI – Load Moment Indicator
- LLD – Live Load Diagram
- Onboard and remote integrated diagnostics
- Reversing camera with image integrated in the MCTS

TECHNICAL SPECIFICATIONS

- Q-Fit standard
- Provision for platform
- Advanced three-line CAN BUS system
- Automatic levelling system for outriggers
- Automatic front and rear wheel alignment
- High-precision turret rotation motor by Liebherr
- Automatic parking brake
- Mechanical battery cut-off in engine compartment
- Electrical system: 24 V – IP67

SERVICE

- MyMagni by Trackunit connectivity system (2 years)
- Warranty: 24 months/2,000 hours