

**TH**

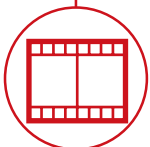
**5,5.19 P**



CONSTRUCTION



LOGISTICS



EVENTS AND  
FILM



TH  
5,5.19 P



**CAB**

Best-in-class  
safety and visibility



**PERFORMANCE**

Unrivalled lifting  
performance

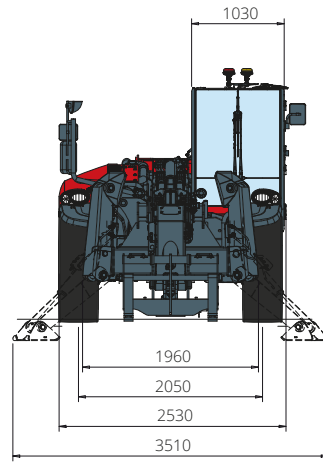


**LOAD LIVE DIAGRAM**

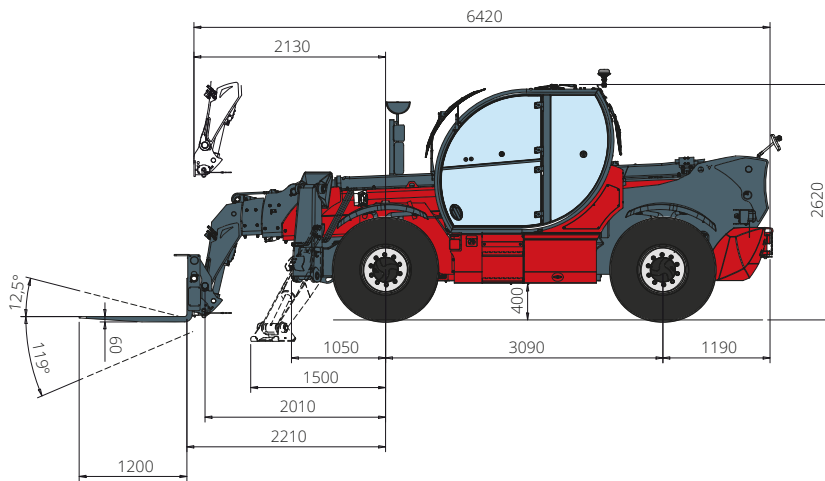
Two real-time dynamic  
load charts

# TH 5,5.19 P

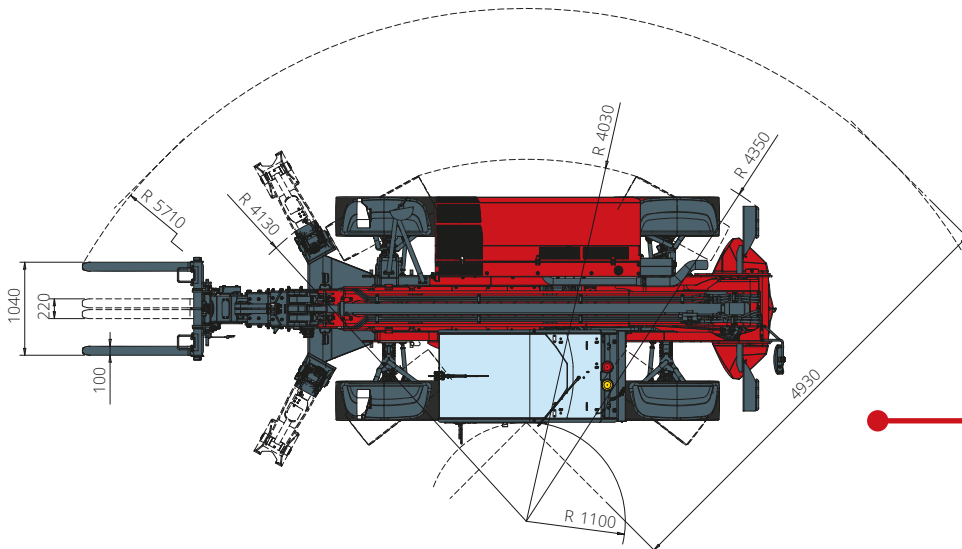
## DIMENSIONS (mm)



**FRONT**  
view



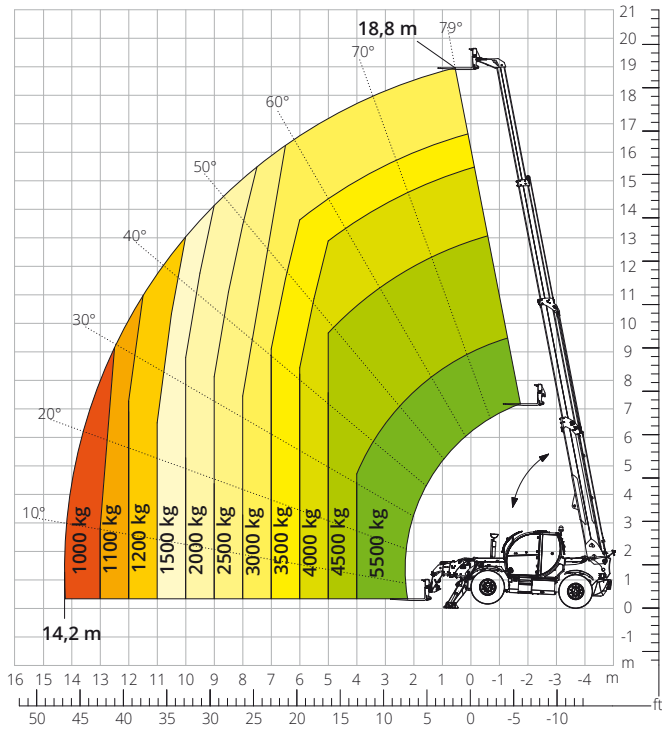
**SIDE**  
view



**TOP**  
view

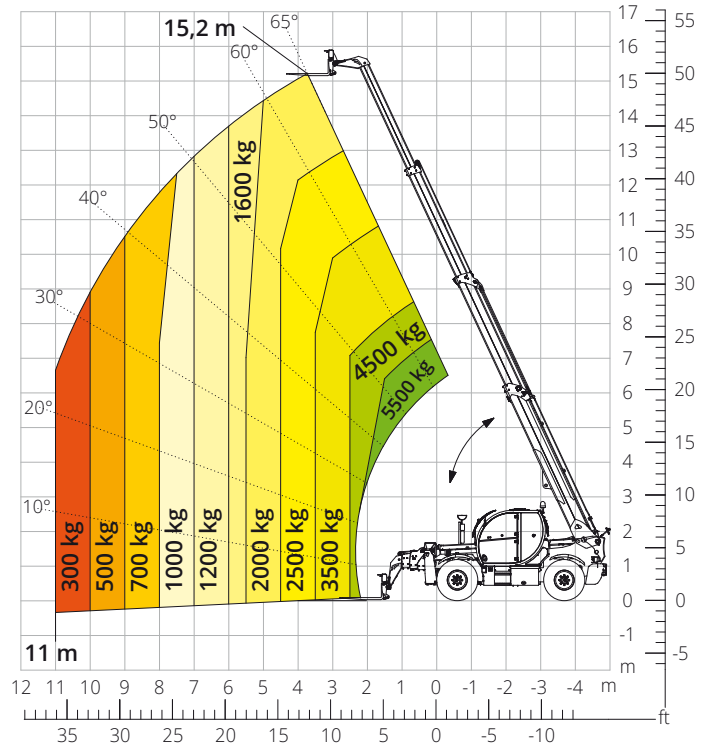
Load chart with  
**FULLY EXTENDED STABILISERS**

ATT-03-040



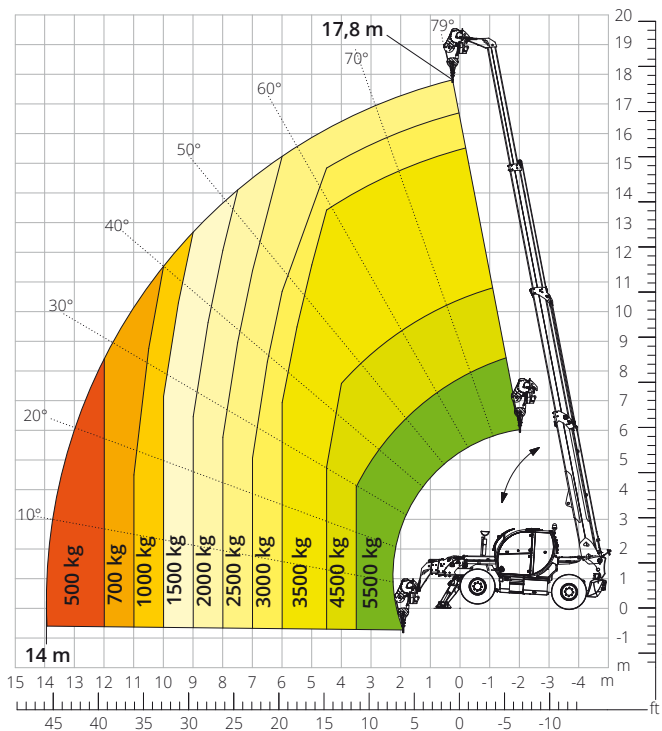
Load chart  
**FRONT ATTACHMENT ON TYRES**

ATT-03-040



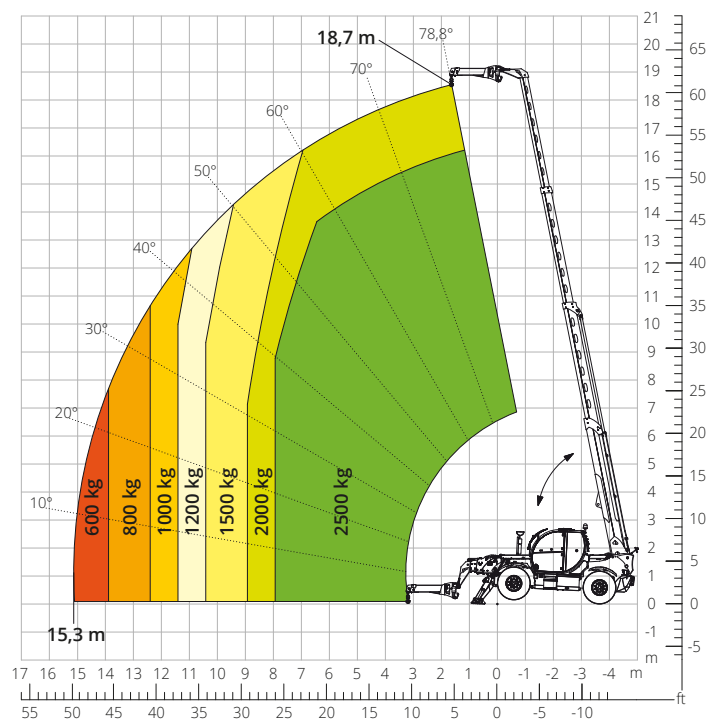
Load chart with  
**WINCH, 6,000 kg**

ATT-02-004

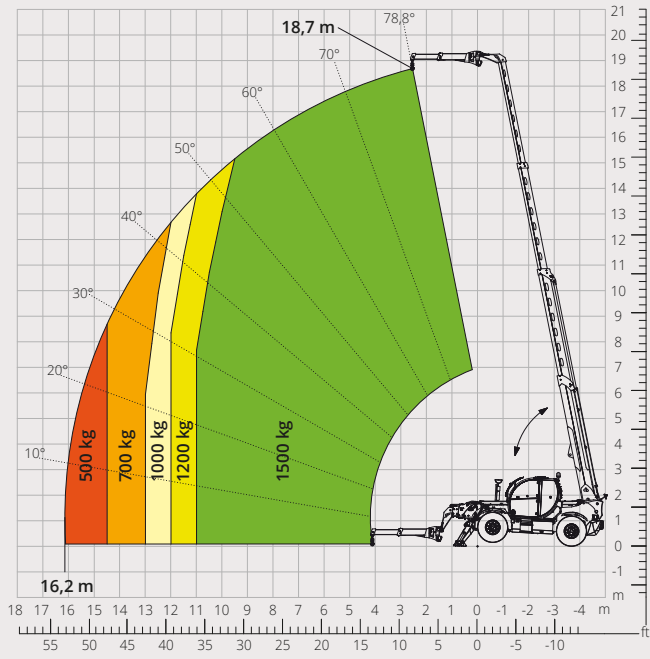


Load chart with  
**JIB WITH WINCH, 2,500 - 1,500 kg - CLOSED**

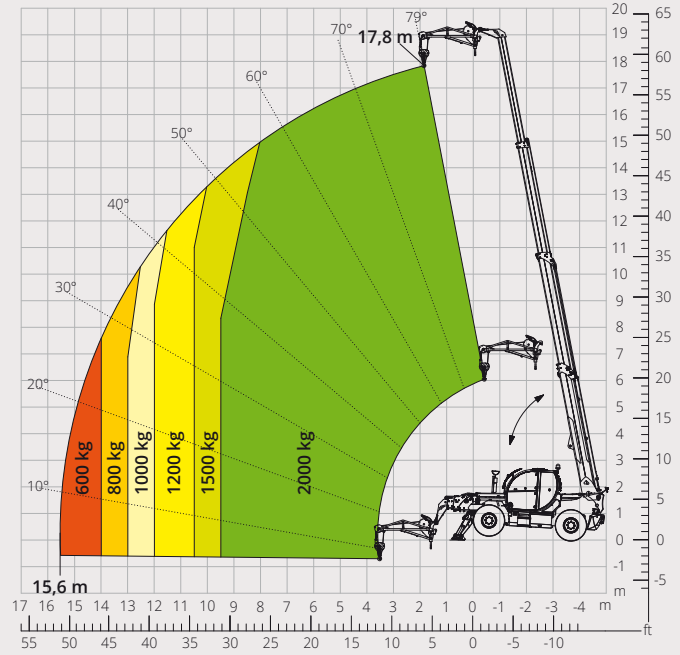
ATT-04-021



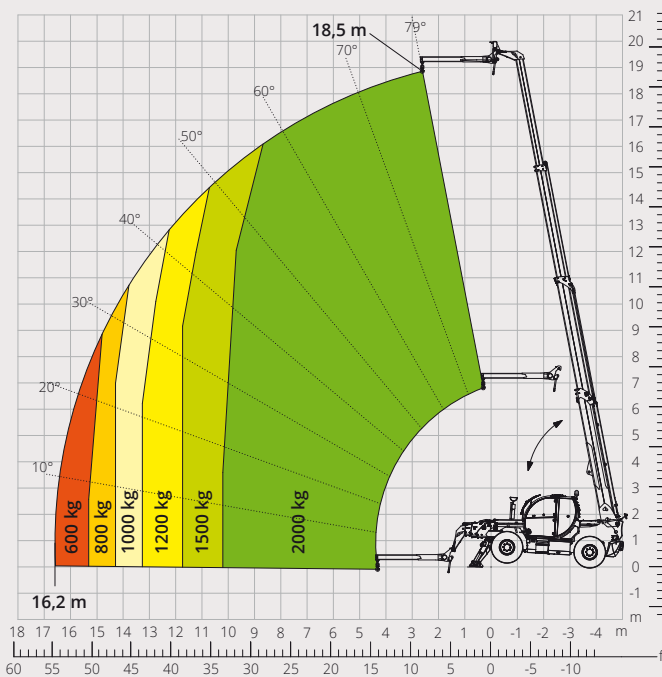
Load chart with  
**JIB WITH WINCH, 2,500 - 1,500 kg - OPEN**  
 ATT-04-021



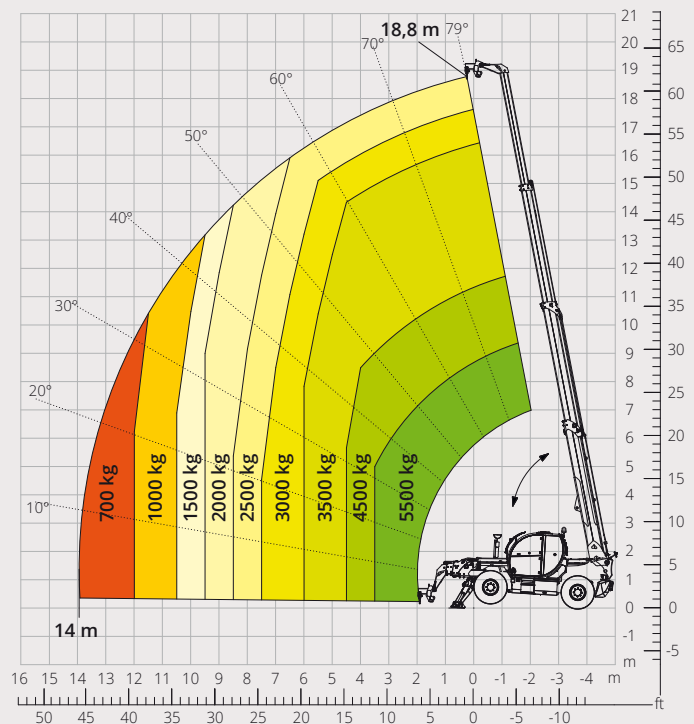
Load chart with  
**JIB WITH WINCH, 2,000 kg**  
 ATT-04-015



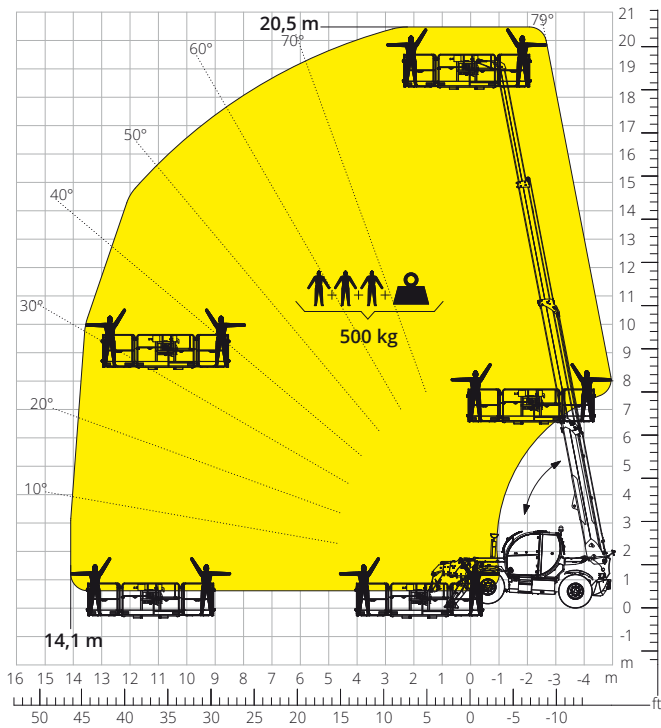
Load chart with  
**JIB, 2,000 kg**  
 ATT-04-013



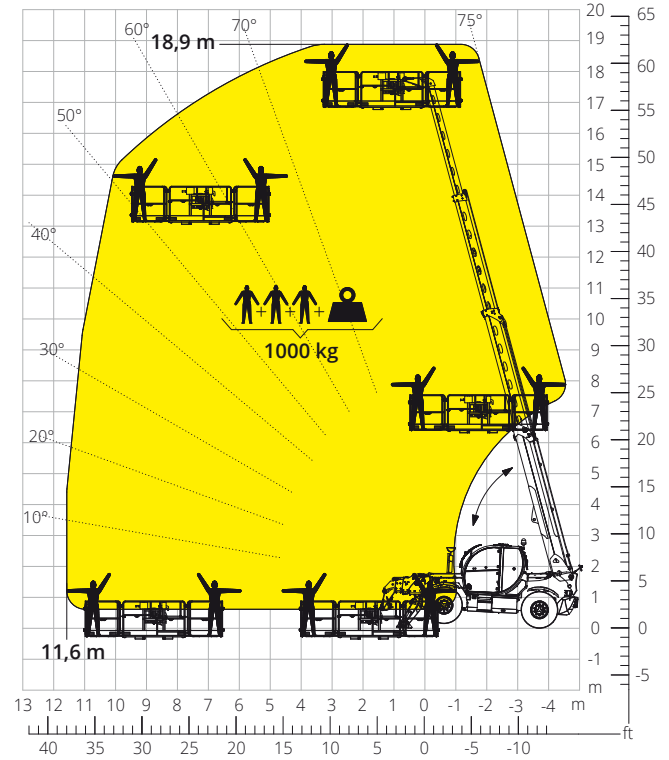
Load chart with  
**HOOK, 6,000 kg**  
 ATT-05-001



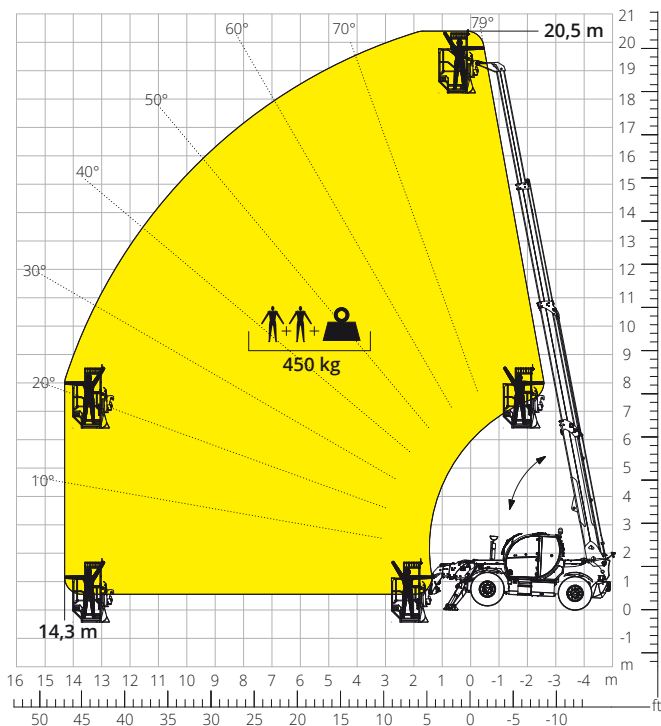
Load chart with  
**ROTATING EXTENDABLE PLATFORM,**  
**500 kg**  
ATT-01-007



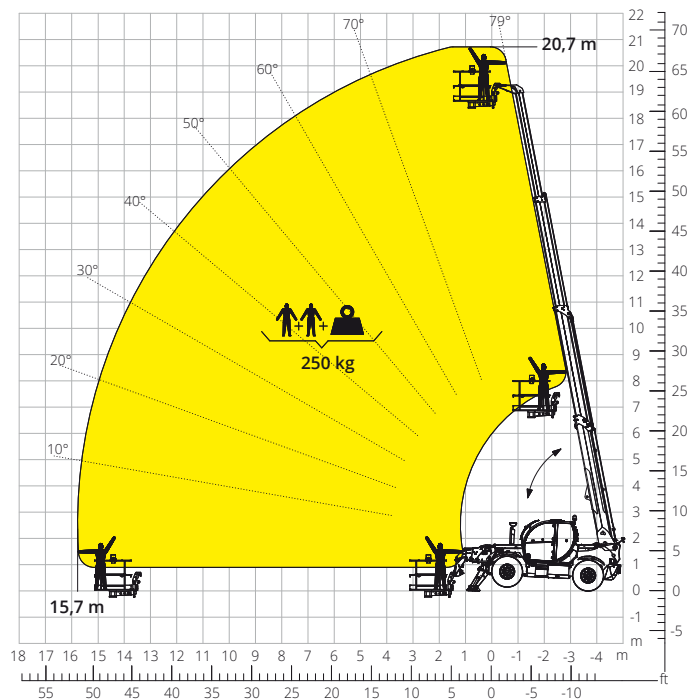
Load chart with  
**ROTATING EXTENDABLE PLATFORM,**  
**1,000 kg**  
ATT-01-016



Load chart with  
**PLATFORM, 450 kg, FOR MINES**  
ATT-01-027



Load chart with  
**FIXED EXTENDABLE PLATFORM, 250 kg**  
ATT-01-003



	Telescopic handler	TH 5,5.19 P
<b>Machine model</b>	Maximum lifting capacity	5,500 kg
	Maximum lifting height	18.80 m
	Maximum reach	14.20 m
<b>Stabilizer</b>	Type	Pivoting
<b>Engine</b>	Model	<b>Deutz TCD 3,6 L4 EDG - Stage IIIA</b>   <b>Deutz TCD 3,6 L4 Stage V</b>
	Rated power	74.4 kW (101.2 hp) at 2,200 rpm
	Maximum torque	410 Nm at 1,600 rpm
	Displacement	3,6 l
	Cylinders	4 in line
	Engine configuration	Turbocharged direct injection diesel
	Cooling system	Water – intercooler
<b>Transmission</b>	Type	Hydrostatic
	Maximum pressure	480 bar
	Gear box	Dropbox, 2 speeds forward-reverse
<b>Axles and brakes</b>	Type	Axles with planetary gearboxes
	Front axle	Oscillating and steering with levelling, +/-8°
	Rear axle	Oscillating and steering with hydraulic lock
	No. of driving/steering wheels	4WD - 4WS
	Steering mode	Frontal/Concentric/Crab
	Service brake	Wet multi-disk on front and rear axle
	Parking brake	Hydraulic with negative action on front axle
<b>Performance</b>	Tyres dimensions	445/65 R22.5
	Max. travel speed	35 km/h
	Gradeability (unladen)	55%
	Turning radius (end of forks)	5,710 mm
<b>Weights</b>	Total unladen*	13,500 kg
	Front axle unladen (boom retracted and lowered)*	5,700 kg
	Rear axle unladen (boom retracted and lowered)*	7,800 kg
<b>Tank and system capacities</b>	Fuel tank	200 l
	AdBlue	10 l
	Hydraulic oil tank	93 l
	Engine oil tank	9 l
	Cooling liquid	20 l
<b>Hydraulic circuit for movements</b>	Circuit type	Load sensing
	Service pump	Variable displacement
	Max. hydraulic flow rate	120 l/min
	Max. boom head flow rate	75 l/min
	Max. operating system pressure	350 bar
	Controls for boom movements	SIL 2 electro-proportional valve
	Movements control	1 joystick with integrated manoeuvre enable
<b>Standard met</b>	2006/42/EC: EU Machinery Directive	
	2016/1628: EU Regulation on the emissions of stage V engines	
	EN 1459-X: Relating to standards on the safety requirements for variable reach machines	
	EN 280-1/EN 280-2: standards relating to mobile elevating work platforms (if available)	
	ROPS/level 2 FOPS: relating to the standards for protective structures	

The data given in this brochure are provided for information purposes and are subject to change without prior notice.

All images are purely guideline and might not give an exact representation of the product.

\*the stated weight refers to the vehicle unladen with standard equipment and may vary depending on the chosen configuration.

The standard machine configuration includes:

## CAB

- Comfort seat with adjustable headrest
- Adjustable steering column
- Analogue joypad
- Adjustable sunblind
- Heating
- Air conditioning
- FM/AM radio with USB and Bluetooth connectivity
- Ambient LED lights
- USB Type-A and Type-C (5 V) inputs

## REAL TIME INFORMATION

- Touchscreen, 7"
- MCTS – Magni Combi Touch System on-board software
- Automatic RFID tools recognition system
- LMI – Load Moment Indicator
- LLD – Live Load Diagram
- Onboard and remote integrated diagnostics

## TECHNICAL SPECIFICATIONS

- Q-Fit standard
- Provision for platform
- Advanced three-line CAN BUS system
- Automatic levelling system for outriggers
- Automatic front and rear wheel alignment
- Automatic parking brake
- Mechanical battery cut-off in engine compartment
- Electrical system: 24 V – IP67

## SERVICE

- Warranty: 24 months/2,000 hours