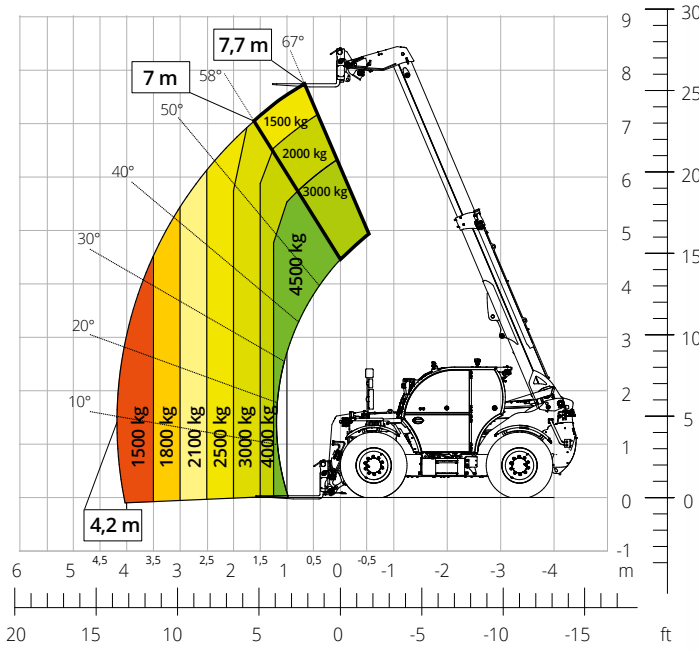


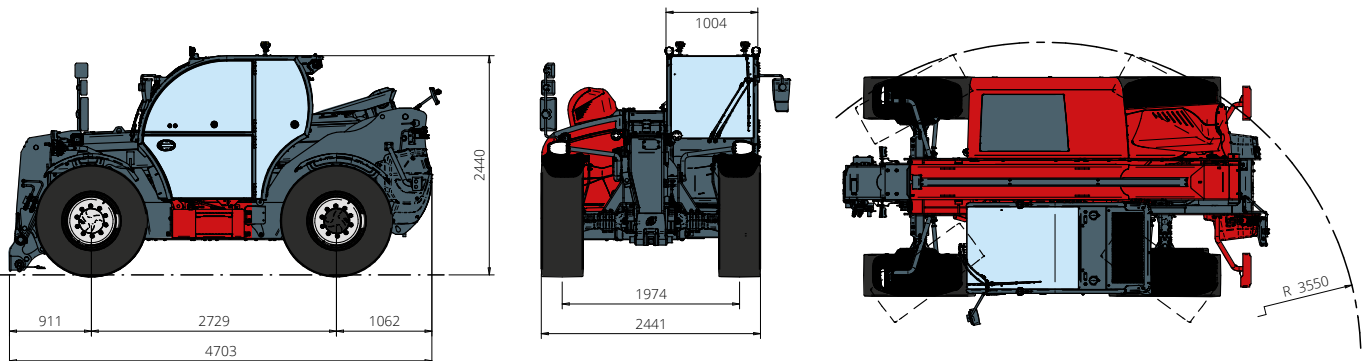
THA



4,5.8 **PRELIMINARY**



AGRICULTURE



Machine model	Telescopic handler	THA 4,5.8
	Maximum lifting capacity	4,500 kg
	Maximum lifting height	7.7 m
	Maximum reach	4.2 m
Engine	Model	FPT N45 Stage V
	Rated power	125 kW (170 hp) at 2,200 rpm
	Maximum torque	712 Nm at 1,500 rpm
	Displacement	4.5 l
	Cylinders	4 in line
	Engine type	Turbocharged direct injection diesel
	Cooling system	Water - Intercooler
Transmission	Type	Hydrostatic
	Maximum pressure	510 bar
	Gearbox	Dropbox, 2 speeds forward-reverse
Axles and brakes	Type	Axles with planetary gearboxes
	Front axle	Steering
	Rear axle	Oscillating and steering
	Sideshift	-
	No. of driving wheels - steering wheels	4WD - 4WS
	Steering modes	Frontal/Concentric/Crab
	Service brake	Wet multi-disk on front and rear axles
	Parking brake	Hydraulic with negative action on front and rear axles
	Tyre sizes	460/70 R24
Performance	Max. travel speed	40 km/h
	Turning radius (at forks)	4,320 mm
	Traction force	8,900 daN
Weights	Total unladen*	8,500 kg
	Front axle unladen (boom retracted and lowered)*	3,600 kg
	Rear axle unladen (boom retracted and lowered)*	4,900 kg
Tank and system capacities	Diesel fuel	130 l
	AdBlue	20 l
	Hydraulic fluid	130 l
	Engine oil	13,5
Hydraulic circuit for movements	Circuit type	Electronic load sensing
	Service pump	Variable displacement
	Max. hydraulic flow rate	165 l/min
	Max. boom head hydraulic flow rate	100 l/min
	Max. working pressure	350 bar
	Distributor for boom movements	Electro-proportional valve
Movements control	1 joystick with integrated manoeuvre enable	
Road type approval	167/2013: Mother Regulation	T1a
Standards met	2006/42/EC: EU Machinery Directive 2000/14/EC: Noise Directive EN 1459-1: relating to standards on the safety requirements for variable-reach trucks EN 280-1: standards relating to mobile elevating work platforms (if available) 2014/30/EU: EMC Directive ROPS/level 2 FOPS: relating to the standards for protective structures	

The data given in this brochure are provided for information purposes and are subject to change without prior notice. All images are purely guideline and might not give an exact representation of the product.

*the stated weight refers to the vehicle unladen with standard equipment and may vary depending on the chosen configuration.