



FULL LINER
AWP



MAGNI

DTBJ30RT



2013 - 2023
CELEBRATING
10TH ANNIVERSARY

A lowered centre of gravity, easier access to major components and a totally Made in Italy design, these are the key features of Magni brand boom lifts.

Consolidated within the Magni offer, this range is now enriched with new models from 16 to 44 metres and a totally hybrid range equipped with Range Extender. The scissor platform product is also being renewed and improved through the addition of better performing and more durable components.

#THEFUTUREISRED

Scissor lifts

Electric models are exceptionally versatile and easy to manoeuvre in confined spaces with level surfaces, both indoors and outdoors. Low-emission electric pruning shears offer a quiet and comfortable way to work in noise-sensitive environments.





ES0607M

👤 240 kg Batteries
⬆️ 5.9 m 12 V/85 Ah*



ES0607DC

👤 240 kg Batteries
⬆️ 5.6 m 24 V/85 Ah*



ES0708DC

👤 230 kg Batteries
⬆️ 7.6 m 24 V/105 Ah*



ES0807AC

👤 230 kg Batteries
⬆️ 7.8 m 24 V/185 Ah*



ES0808AC

👤 380 kg Batteries
⬆️ 8 m 24 V/185 Ah*



ES0812AC

👤 540 kg Batteries
⬆️ 8 m 24 V/185 Ah*



ES1008AC

👤 230 kg Batteries
⬆️ 10 m 24 V/185 Ah*



ES1012AC

👤 450 kg Batteries
⬆️ 10 m 24 V/185 Ah*



ES1212AC

👤 320 kg Batteries
⬆️ 12 m 24 V/200 Ah*



ES1412AC

👤 320 kg Batteries
⬆️ 13.8 m 24 V/240 Ah*



ES1612AC

👤 250 kg Batteries
⬆️ 15.7 m 24 V/240 Ah*



ES1612ACP

👤 250 kg Batteries
⬆️ 15.7 m 4X12 V/240 Ah*



ES2212E

👤 750 kg Lead-acid batteries
⬆️ 22 m 48 V/630 Ah



ES2814E

👤 750 kg Lithium batteries
⬆️ 28 m 80 V/520 Ah



ES3214E

👤 750 kg Lithium batteries
⬆️ 32 m 80 V/520 Ah



Rough terrain scissor lifts

Our all-terrain scissor lifts offer competitive lifting capacities and large working areas to ensure productivity and safety on any job site. All models are perfect for rough terrain and uneven working areas.





DS1218RT

Kubota D1105-EF02
Stage IV - 18,2 kW
3.000 rpm

ES1218RT

Batteries
48 V/320 Ah

 **454 kg**
 **12 m**



DS1418RT

Kubota D1105-EF02
Stage IV - 18,2 kW
3.000 rpm

ES1418RT

Batteries
48 V/320 Ah

 **363 kg**
 **14.3 m**



DS1523RT

Diesel engine
18.2 kW
3.000 rpm

ES1523RT

Batteries
48 V/450 Ah

👤 680 kg
⬆️ 15 m



DS1823RT

Diesel engine
18.2 kW
3.000 rpm

ES1823RT

Batteries
2x48 V/450 Ah

👤 680 kg
⬆️ 18 m



RT SCISSOR
LIFT

DS2223RTP

Deutz TD2.9 L4
Stage V - 36,4 kW
2.600 rpm

ES2223RTP

Batteries
48 V/630 Ah

👤 750 kg
⬆️ 22 m



DS2825RT

Deutz TD2.9 L4
55 kW
2.600 rpm

ES2825RT

Batteries
80 V / 520 Ah

👤 1,000 kg
⬆️ 28 m



DS3225RT

Deutz TD2.9 L4
55 kW
2.600 rpm

ES3225RT

Batteries
80 V/520 Ah



👤 **1,000 kg**
↑ **32 m**

**RT SCISSOR
LIFT**

Vertical mast lifts

These platforms are equipped with an electric motor that ensures low noise levels, zero emissions and the ability to work indoors. Their lightweight and compact design makes them ideal for work even in confined spaces.



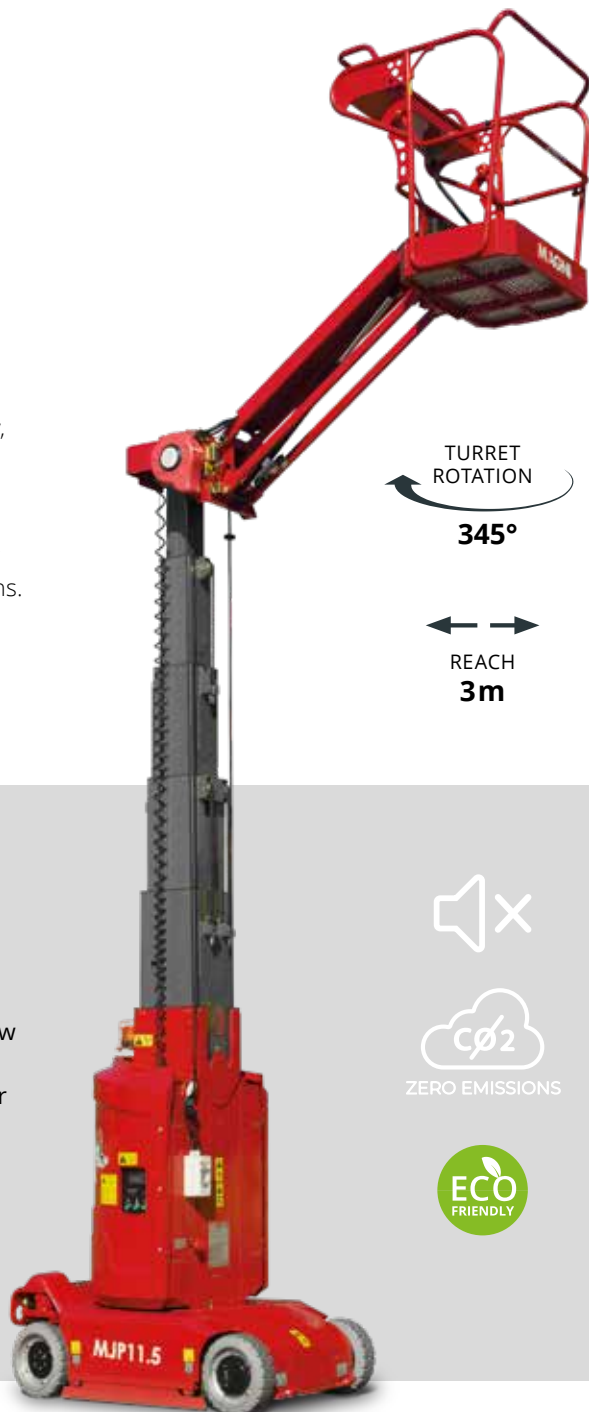


MJP11.5AC

 **200 kg**
 **11.2 m**

Batteries
24 V/240 Ah

The light and robust structure allows you to work in complete safety, while the 345° turret rotation is the optimum solution for maximum flexibility in both indoor and outdoor applications.



TURRET
ROTATION
345°

REACH
3m

SAFETY 100%

- Overload alarm
- Tilt sensor
- Manual descent
- Flashing beacons
- Function lock with low battery
- Low battery indicator



ZERO EMISSIONS



MJP080F

📦 200 kg
📏 11.2 m

Batteries
2x12 V/115 Ah

MJP070F

📦 230 kg
📏 6.7 m

Batteries
2x12 V/115 Ah



VERTICAL
MAST LIFTS



Articulated Boom lifts

The articulated platforms have a very low centre of gravity, resulting in excellent stability and outstanding lifting performance. Depending on the model, they can fit a diesel engine or an electric motor.

Thanks to their features, all platforms are ideal for construction, refurbishments, and big events such as concerts and shows.





3 different types of engines can be mounted on all our articulated platforms:



DIESEL (D)



ELETTRIC (E)



HYBRID (H)



DAB16RT

Kubota D1105 - 18 kW

EAB16RT

Lead-acid batteries

HAB16RT

Lead-acid batteries
+ Range Extender
FIRMAN AN192F/7.6 kW

 **250 kg**
 **16.07 m**

DAB18RT

Kubota D1105 - 18 kW

EAB18RT

Lead-acid batteries

HAB18RT

Lead-acid batteries
+ Range Extender
FIRMAN AN192F/7.6 kW

 **250 kg**

 **18.04 m**



**ARTICULATED
BOOM LIFTS**

DAB20RT

Kubota D1105 - 18 kW

EAB20RT

Lead-acid batteries

HAB20RT

Lead-acid batteries
+ Range Extender
FIRMAN AN192F/7.6 kW

 **250 kg**

 **20.09 m**



DAB22RT

Kubota D1105 - 18 kW

EAB22RT

Lead-acid batteries

HAB22RT

Lead-acid batteries
+ Range Extender
FIRMAN AN192F/7.6 kW

 **250 kg**

 **22.21 m**



DAB24RT

Deutz TD2.9 L4 - 55.4 kW

EAB24RT

Lithium batteries*

HAB24RT

Lithium batteries*
+ Range Extender
Kubota Z482/9.8kW

 **300 kg**

 **24.30 m**



DAB28RT

Deutz TD2.9 L4 - 55.4 kW

EAB28RT

Lithium batteries*

HAB28RT

Lithium batteries*
+ Range Extender
Kubota Z482/9.8kW

 **250 kg**

 **28.10 m**



**ARTICULATED
BOOM LIFTS**

Telescopic Boom lifts

The telescopic platforms have a very low centre of gravity, resulting in excellent stability and outstanding lifting performance. Depending on the model, they can fit a diesel engine or an electric motor.

Thanks to their features, all platforms are ideal for construction, refurbishments, and big events such as concerts and shows.





MAGNI

DTB24RT

30000

3 different types
of engines can
be mounted on
all our telescopic
platforms:



DIESEL (D)



ELETTRIC (E)



HYBRID (H)

DTB16RT

Kubota D1105 - 18 kW

ETB16RT

Lead-acid batteries

HTB16RT

Lithium batteries*
+ Range Extender
FIRMAN AN192F/7.6 kW

 **250 kg**
 **16.22 m**



DTB18RT

Kubota D1105 - 18 kW

ETB18RT

Lead-acid batteries

HTB18RT

Lithium batteries*
+ Range Extender
FIRMAN AN192F/7.6 kW

📊 250 kg

📏 18.16 m



DTB20RT

Kubota D1105 - 18 kW

ETB20RT

Lead-acid batteries

HTB20RT

Lithium batteries*
+ Range Extender
FIRMAN AN192F/7.6 kW

📊 250 kg

📏 20.13 m



DTB22RT

Deutz D2.9 L4 - 36.4 kW

ETB22RT

Lithium batteries*

HTB22RT

Lithium batteries*
+ Range Extender
Kubota Z482/9.8kW

 **454 kg**

 **22.51 m**



DTB24RT

Deutz D2.9 L4 - 55.4 kW

ETB24RT

Lithium batteries*

HTB24RT

Lithium batteries*
+ Range Extender
Kubota Z482/9.8kW

 **454 kg**

 **24.80 m**



DTB26RT

Deutz D2.9 L4 - 55.4 kW

ETB26RT

Lithium batteries*

HTB26RT

Lithium batteries*
+ Range Extender
Kubota Z482/9.8kW

📊 454 kg

📏 26.30 m



DTB28RT

Deutz D2.9 L4 - 55.4 kW

ETB28RT

Lithium batteries*

HTB28RT

Lithium batteries*
+ Range Extender
Kubota Z482/9.8kW

📊 454 kg

📏 28.50 m



DTB36RT

Deutz TD2.9 L4 - 55.4 kW

ETB36RT

Lithium batteries*

HTB36RT

Lithium batteries*
+ Range Extender
Kubota D1105/18.2kW

 **300/454 kg**

 **36 m**



DTB41RT

Deutz TD2.9 L4 - 55.4 kW

ETB41RT

Lithium batteries*

HTB41RT

Lithium batteries*
+ Range Extender
Kubota D1105/18.2kW

 **300/454 kg**

 **41 m**



DTB44RT

Deutz TD2.9 L4 - 55.4 kW

ETB44RT

Lithium batteries*

HTB44RT

Lithium batteries*
+ Range Extender
Kubota D1105/18.2kW

300/454 kg

44 m



**TELESCOPIC
BOOM LIFTS**

DTBJ26RT

Deutz D2.9 L4 - 55.4 kW

ETBJ26RT

Lithium batteries*

HTBJ26RT

Lithium batteries*
+ Range Extender
Kubota Z482/9.8kW

454 kg

26.70 m



DTBJ30RT

Deutz D2.9 L4 - 55.4 kW

ETBJ30RT

Lithium batteries*

HTBJ30RT

Lithium batteries*
+ Range Extender
Kubota Z482/9.8kW

 **300/454 kg**

 **30.30 m**



**Need more info?
You can find all our
products on the website
www.magnith.com**



www.magnith.com



All Pictures shown are for illustration purpose only. Actual product may vary