

ES08080F

This Oil Free scissor lift uses electric actuators for lifting, lowering and steering while reducing noise emissions. They are suitable for settings where it is essential to avoid contamination from oil or fuel spills.

This product is powered by AGM (Absorbent Glass Mat) batteries, which are able to offer reliability, low fuel consumption, a long service life and zero emissions, minimizing maintenance and, consequently, operating costs.



ZERO EMISSIONS

STANDARD EQUIPMENTS:

- Proportional controls
- Self-locking door on the platform
- One way platform extension deck
- Non-marking tyres
- 2-wheel drive
- 2 Wheels Steering
- Automatic braking system
- Emergency lowering
- Onboard diagnostics system
- Motion Alarm
- Tilt indicator with alarm
- Horn
- Hour counter
- Charging protection system
- Warning siren during lowering and dual flashing LED light
- Safety bracket for maintenance operations
- Automatic pothole protection system
- Charging indicator
- Emergency brake release
- Anchoring eyebolts
- Tie-down and lifting points
- Self-weight lowering system
- Emergency pump

MAIN APPLICATIONS



Maintenance



Plant Service



Construction



Storage/
Warehouse



Cleaning

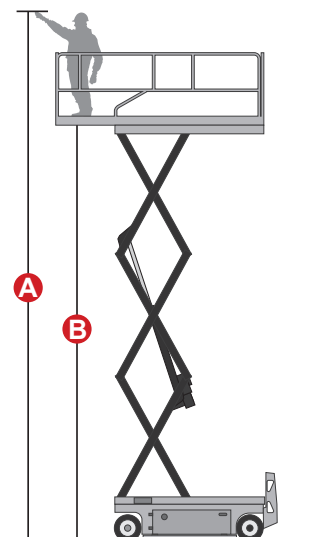
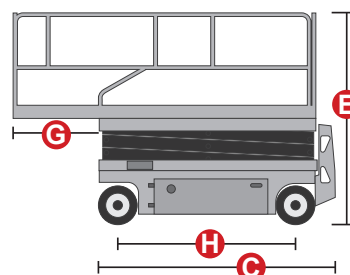
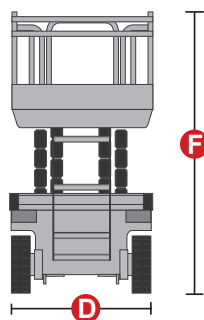


Painting/
Restoration

ES0808OF

Load capacity	380 kg
Load capacity when extended	113 kg
Max no. Occupants (Indoor/outdoor)	2/2
A Working height	8 m
B Platform floor level height	6 m
C Overall length	2,48 m
D Overall width	0,83, m
E Overall height (rails up)	2,28 m
F Transport height (rails down)	1,92 m
Platform dimensions (length/width)	2,27 m x 0,81 m
G Platform extension	0,90 m
Ground clearance (stowed)	0,10 cm
Ground clearance (raised)	0,19 m
H Wheelbase	1,87 m
Turning radius (inside)	-
Turning radius (outside)	2,10 m
Driving motors	2 x 24V / 0,87 kW
Lifting motors	24V / 3,20 kw
Travel speed (stowed)	5 km/h
Travel speed (raised)	0,80 km/h
Batteries	4 x 6 V / 185 Ah
Integrated battery charger	24 V / 30 A
Gradeability	25%
Maximum working slope	X -1,5° / Y -3°
Non-marking tyres	381 x 127 mm
Weight (CE)	2340 kg

STANDARDS COMPLIANCE:
EN 280, ANSI/SAIA A92.20



Non-marking solid tyres



Safety bracket