

RTH

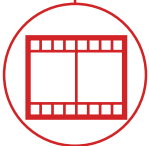
8.46



CONSTRUCTION



LOGISTICS



EVENTS AND
FILM



RTH
8.46



CAB

Best-in-class
safety and visibility



PERFORMANCE

Unrivalled lifting
performance

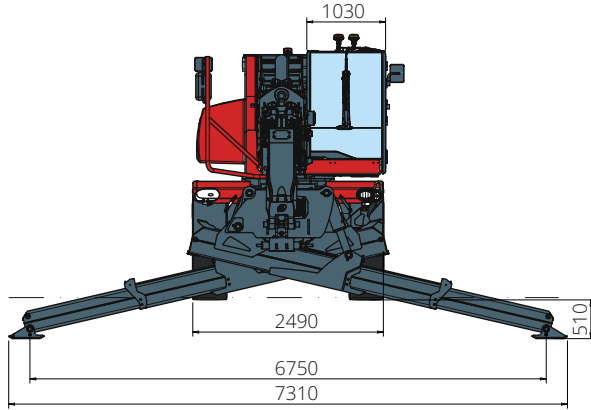


LOAD LIVE DIAGRAM

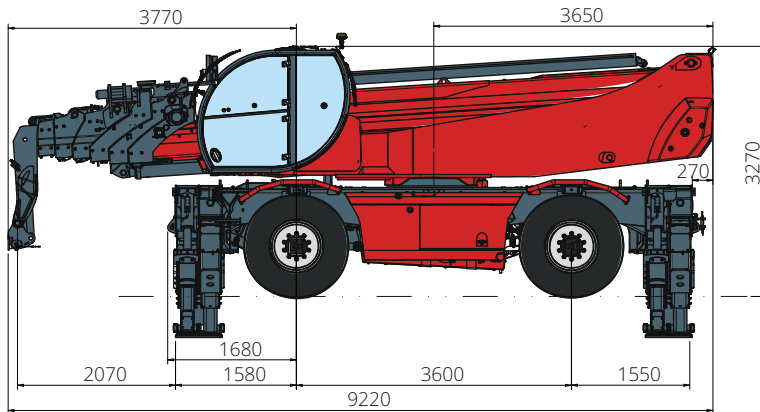
Three real-time dynamic
load charts

RTH 8.46

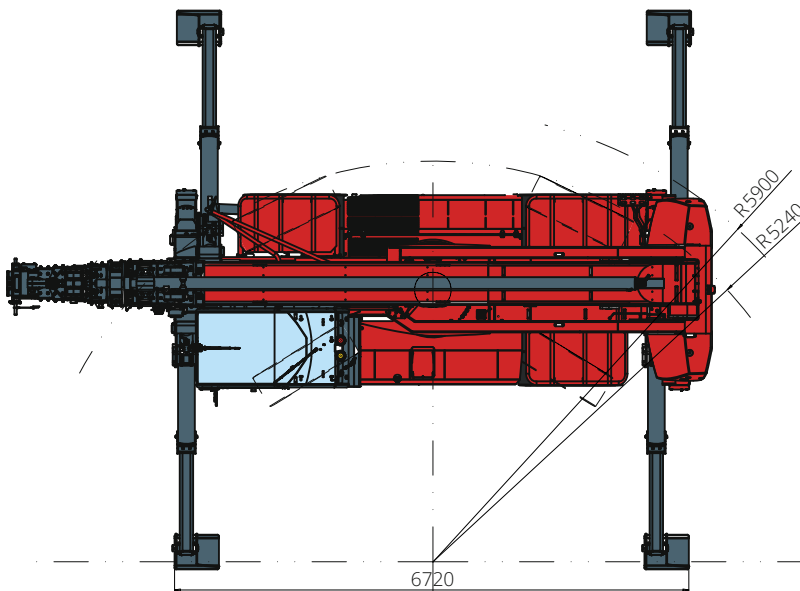
DIMENSIONS (mm)



FRONT
view

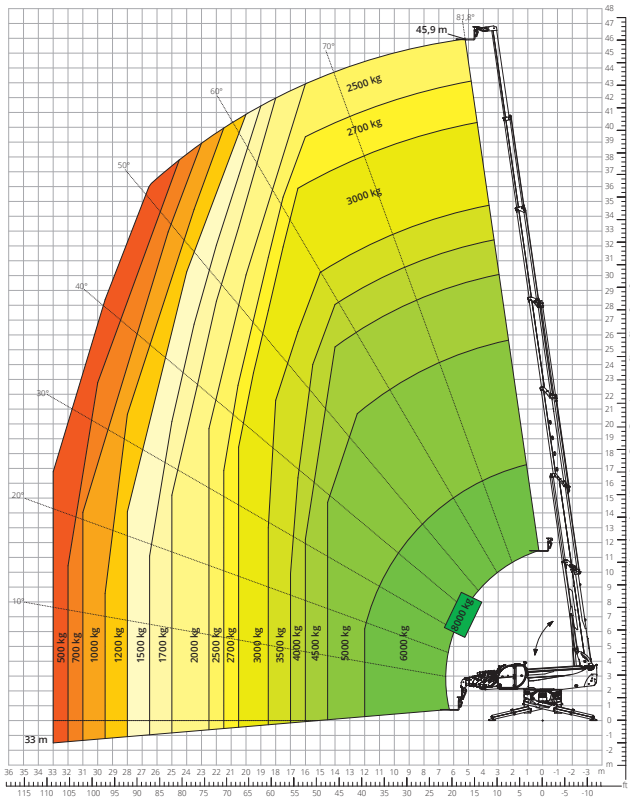


SIDE
view

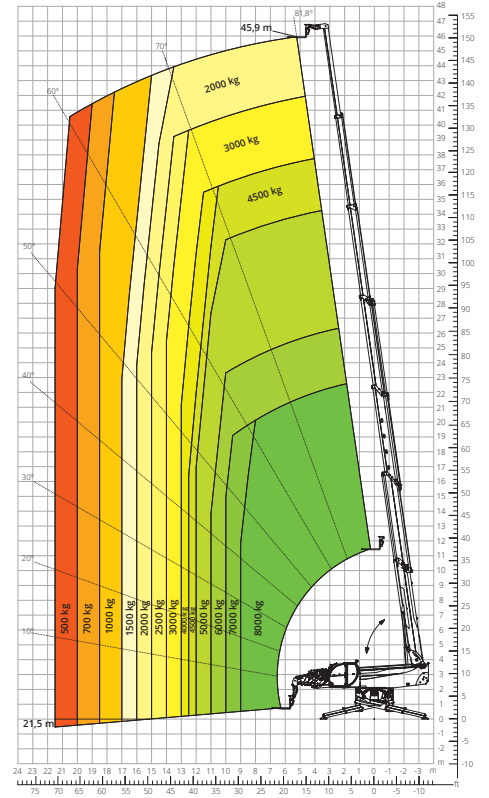


TOP
view

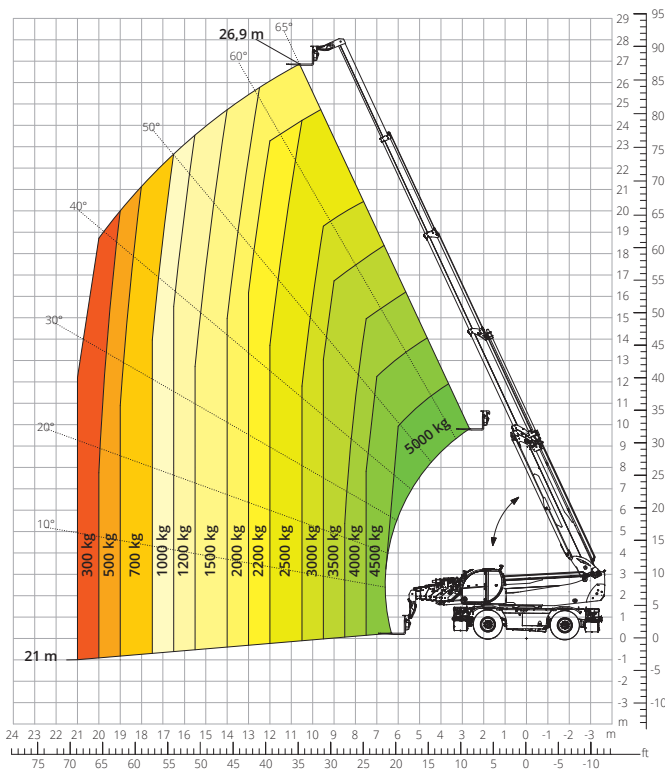
Load chart with
FULLY EXTENDED STABILISERS (360°) - M1
 ATT - 03 - 007



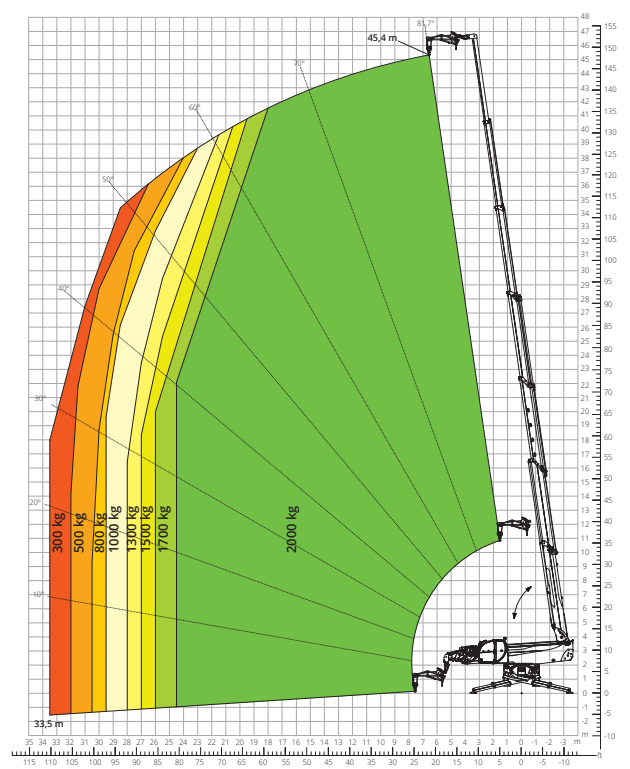
Load chart with
FULLY EXTENDED STABILISERS (360°) - M2
 ATT - 03 - 007



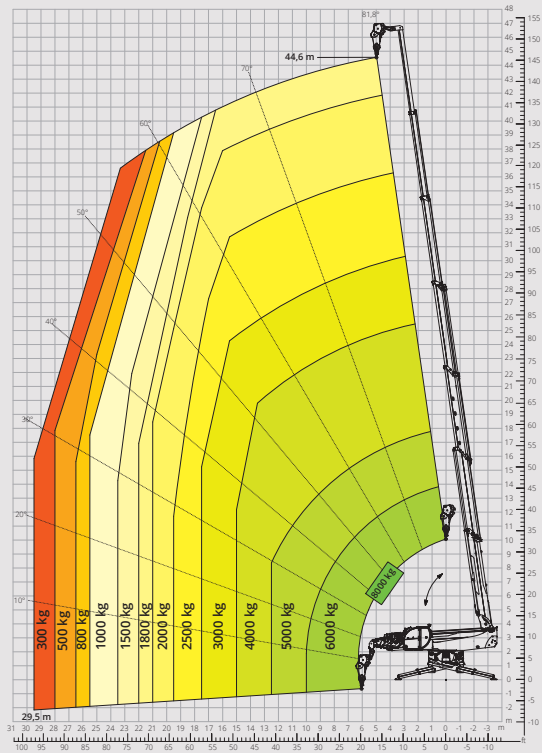
Load chart
FRONT ATTACHMENT ON TYRES
 ATT - 03 - 007



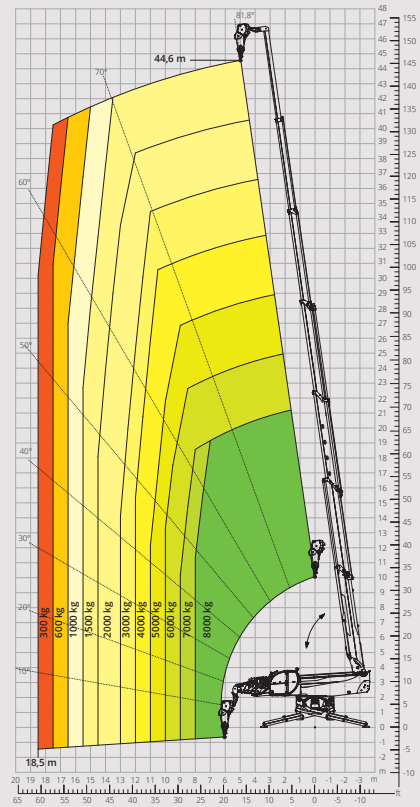
Load chart with
JIB WITH WINCH, 2,000 kg
 ATT - 04 - 015



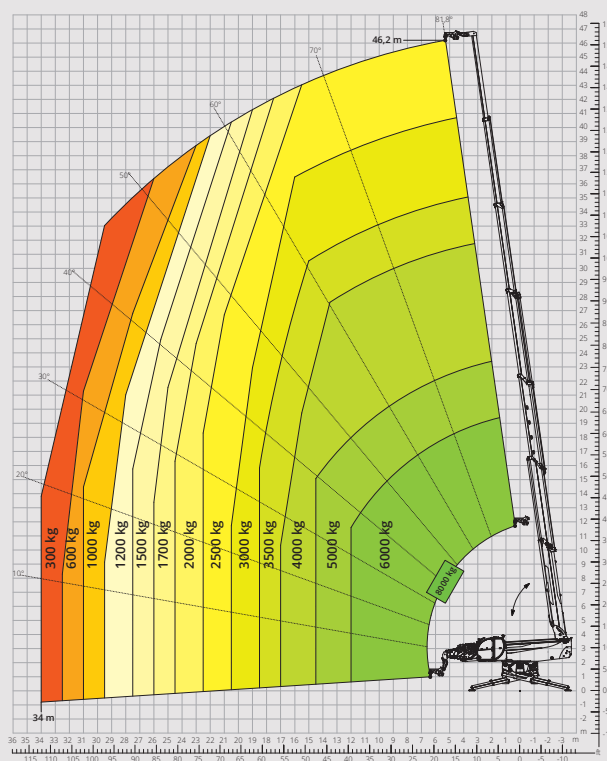
Load chart with
WINCH, 8,000 kg - M1
 ATT - 02 - 006



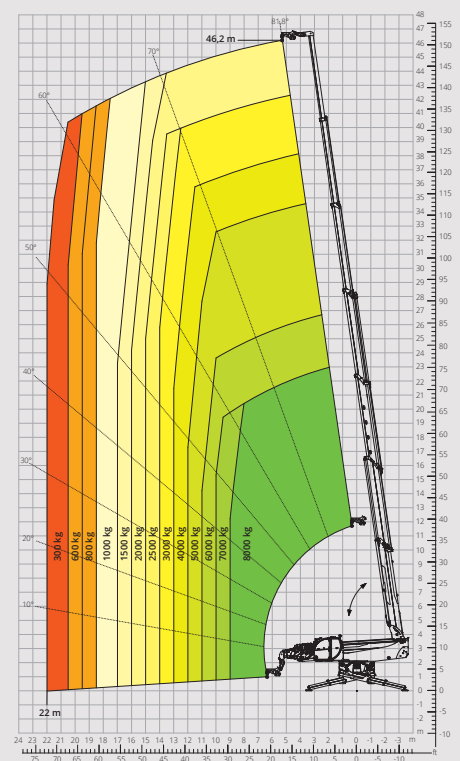
Load chart with
WINCH, 8,000 kg - M2
 ATT - 02 - 006



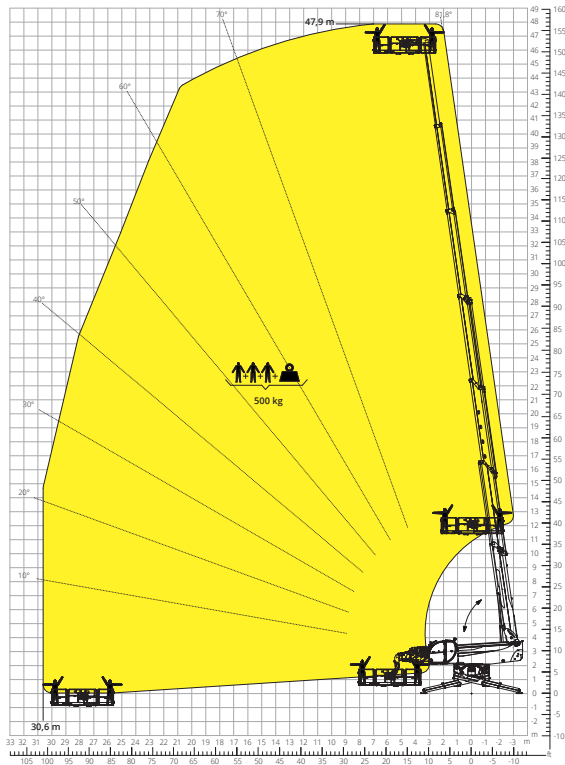
Load chart with
HOOK, 8,000 kg - M1
 ATT - 05 - 003



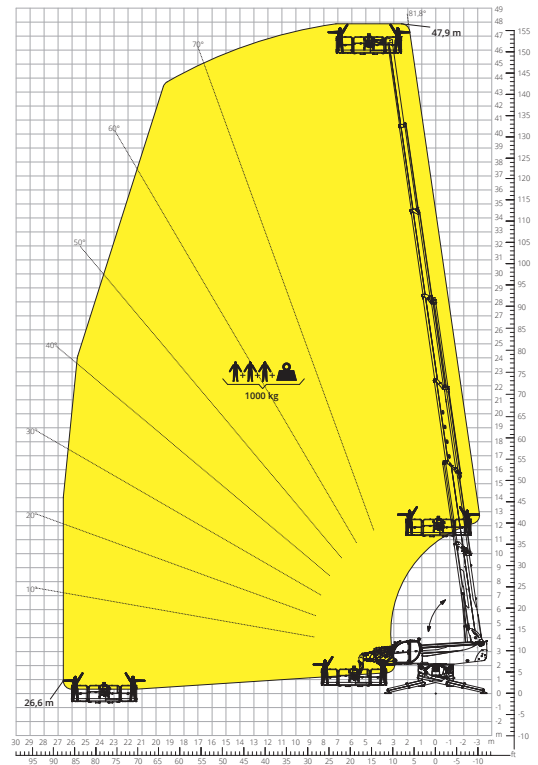
Load chart with
HOOK, 8,000 kg - M2
 ATT - 05 - 003



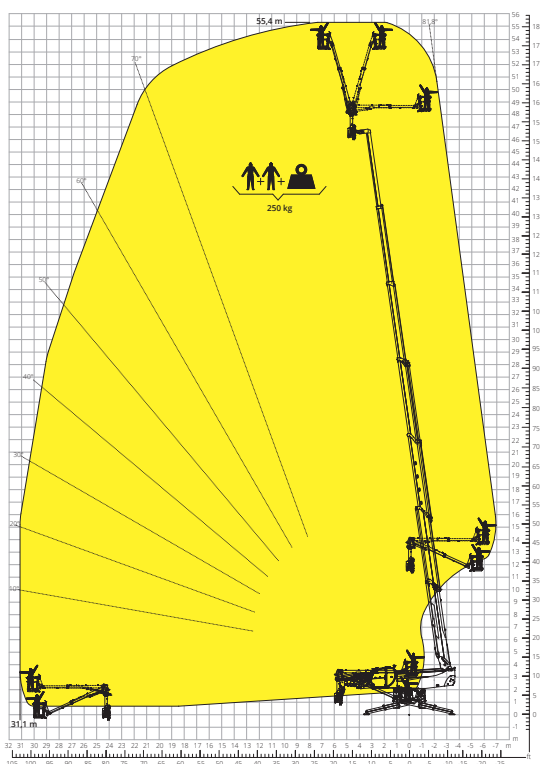
Load chart with
ROTATING EXTENDABLE PLATFORM,
500 kg
ATT - 01 - 007



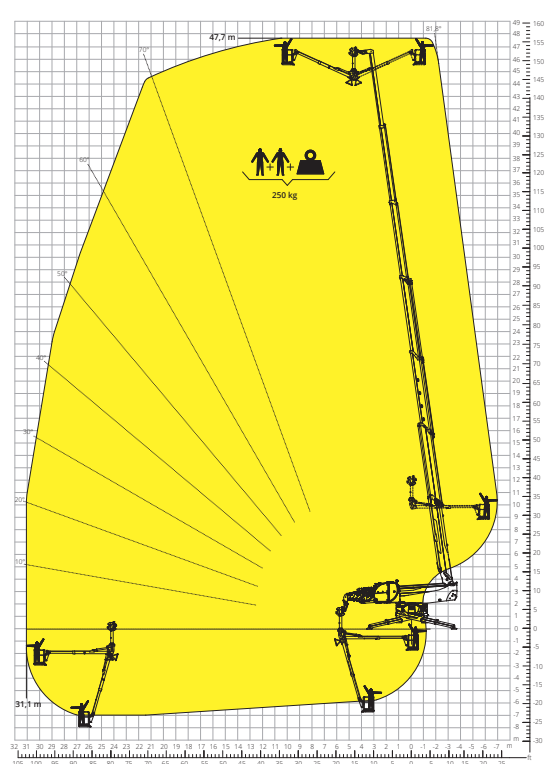
Load chart with
ROTATING EXTENDABLE PLATFORM,
1,000 kg
ATT - 01 - 016



Load chart with
OVER-UNDER PLATFORM - POSITIVE
ATT - 01 - 024



Load chart with
OVER-UNDER PLATFORM - NEGATIVE
ATT - 01 - 024



Machine model	Rotating telescopic handler	RTH 8.46	
	Maximum lifting capacity	8,000 kg	
	Maximum lifting height	45.90 m	
	Maximum reach	33.00 m	
	Rotation	360° (continuous)	
Stabilisers	Type	Telescopic scissor	
Engine	Model	Volvo TAD 552 VE Stage IV	Volvo TAD 583 VE Stage V
	Rated power	160 kW (218 hp) at 2,200 rpm	175 kW (238 hp) at 2,300 rpm
	Maximum torque	910 Nm at 1,450 rpm	975 Nm at 1,380 rpm
	Displacement	5.13 l	
	Cylinders	4 in line	
	Engine type	Turbocharged direct injection diesel	
	Cooling system	Water – intercooler	
Transmission	Type	Hydrostatic	
	Maximum pressure	480 bar	
	Gearbox	Dropbox, 2 speeds forward-reverse	
Axles and brakes	Type	Axles with planetary gearboxes	
	Front axle	Oscillating and steering with levelling, +/-8°	
	Rear axle	Oscillating and steering with hydraulic lock	
	No. of driving/steering wheels	4WD - 4WS	
	Steering mode	Frontal/Concentric/Crab	
	Service brake	Wet multi-disk on front and rear axle	
	Parking brake	Hydraulic with negative action on front axle	
Performance	Tyre sizes	17.5 R25	
	Max. travel speed	25 km/h	
	Gradeability (unladen)	41%	
	Turning radius (at forks)	NA	
Weights	Total unladen*	35,300 kg	
	Front axle unladen (boom retracted and lowered)*	15,450 kg	
	Rear axle unladen (boom retracted and lowered)*	19,850 kg	
Tank and system capacities	Diesel fuel	280 l	280 l
	AdBlue	-	40 l
	Hydraulic fluid	269 l	269 l
	Engine oil	16 l	16 l
	Coolant	40 l	40 l
Hydraulic circuit for movements	Circuit type	Load sensing	
	Service pump	Variable displacement	
	Max. hydraulic flow rate	205 l/min	
	Max. boom head flow rate	75 l/min	
	Max. working pressure	350 bar	
	Distributor for boom and turret movements	SIL 2 electro-proportional valve	
	Movements control	Dual joystick with integrated manoeuvre enable	
Standards met	2006/42/EC: EU Machinery Directive		
	2016/1628: EU Regulation on the emissions of stage V engines		
	EN 1459-X: Relating to standards on the safety requirements for variable reach machines		
	EN 280/EN 280-1/EN 280-2: standards relating to mobile elevating work platforms (if available)		
	ROPS/level 2 FOPS: relating to the standards for protective structures		

The data given in this brochure are provided for information purposes and are subject to change without prior notice.

All images are purely guideline and might not give an exact representation of the product.

*the stated weight refers to the vehicle unladen with standard equipment and may vary depending on the chosen configuration.

The standard machine configuration includes:

CAB

- Premium tilting seat with air suspension and headrest
- Adjustable steering column
- Analogue joypad
- Adjustable sunblind
- Heating
- Air conditioning
- FM/AM radio with USB and Bluetooth connectivity
- Ambient LED lights
- USB Type-A and Type-C (5 V) inputs

REAL TIME INFORMATION

- Touchscreen, 12"
- MCTS – Magni Combi Touch System on-board software
- Automatic RFID tools recognition system
- LMI – Load Moment Indicator
- LLD – Live Load Diagram
- Onboard and remote integrated diagnostics
- Reversing camera with image integrated in the MCTS

TECHNICAL SPECIFICATIONS

- Q-Fit standard
- Provision for platform
- Advanced three-line CAN BUS system
- Automatic levelling system for outriggers
- Automatic front and rear wheel alignment
- High-precision turret rotation motor by Liebherr
- Automatic parking brake
- Mechanical battery cut-off in engine compartment
- Electrical system: 24 V – IP67

SERVICE

- MyMagni by Trackunit connectivity system (2 years)
- Warranty: 24 months/2,000 hours