

**IN  
OUT**

# DAB22RT

## Articulated boom lifts



### STANDARD EQUIPMENT

- Oscillating front axle
- Two travel speeds
- Two-wheel steering
- Four-wheel drive
- 360° rotation (continuous)
- Proportional controls
- Thumb rocker steering
- Flashing light
- Non-marking tyres
- Horn
- Hour counter
- Harsh environment kits
- 12V DC Auxiliary power

### ENGINE

- Stage V engine
- Special integrated driveshaft
- Auto-engine fault shutdown
- Anti-reverse engine device
- Anti-restart engine protection
- Hydraulic oil radiator

### BASKET

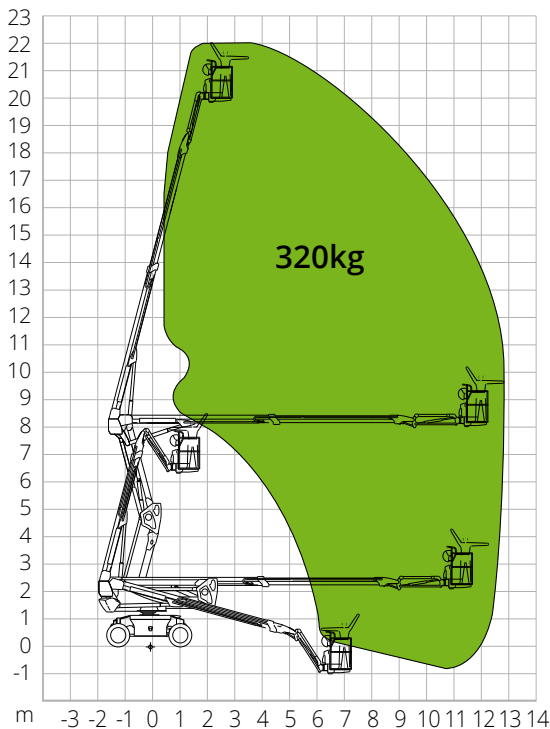
- Self-levelling
- Rotation +/-90°
- Schuko power socket 16A/250 V

### SAFETY

- Drive enable system
- Platform load moment indicator
- On-board diagnostics system
- Emergency lowering system
- Tilt indicator with alarm
- Crushing protection

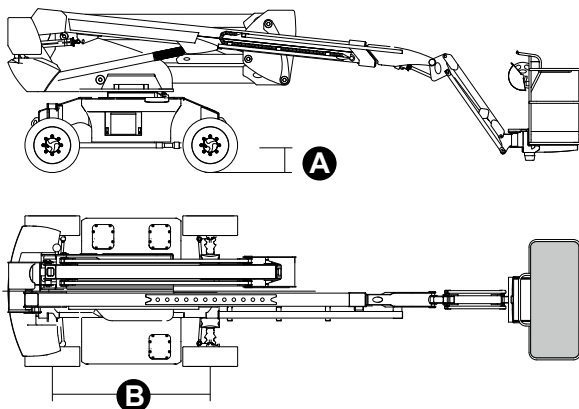
**CONSTRUCTION****LOGISTICS**

## LOAD CHART



## DIMENSIONS

Platform length		9.55 m
Platform length (transport, basket rotated)		7.36 m
Platform width (tyres)		2.33 m
Platform width (transport)		2.44 m
Platform height		2.55 m
Platform height (transport)		2.59 m
Wheelbase	<b>B</b>	2.40 m
Tailswing		0.70 m
Ground clearance	<b>A</b>	0.31 m



## DAB22RT

### Technical data

Max. working height	22.04 m
Max. basket height	20.04 m
Articulation point	8.18 m
Max. reach	12.57 m
Turning radius (outside)	4.73 m
Turning radius (inside)	3 m
Basket width	0.79 m
Basket length	1.83 m
Basket rotation	180°
Jib type	Standard
Jib length	1.50 m
Jib Vertical Rotation	132°
Below-ground height	1.77 m
Below-ground reach	8.13 m
Auxiliary power	12 V DC

### Performance

Platform max. load capacity	320 kg
Max. occupants	2
Max. gradeability (stowed)	35%
Max. working slope	X-5°/Y-5°
Max. wind speed	12.5 m/s
Travel speed (closed config.)	6.0 km/h
Travel speed (working config.)	1.1 km/h
Turret rotation (continuous)	360°

### Engine

Power	Kubota D1105/18.2 kW
Diesel tank capacity	115 l
Hydraulic tank capacity	145 l
Transmission	Hydrostatic

### Specific features

Tyres	315/55D20
<b>Total weight</b>	<b>9,700 kg</b>

### STANDARDS COMPLIANCE: EN 280, ANSI/SAIA A92.20

The data given in this brochure are provided for information purposes and are subject to change without prior notice. All images are purely guideline and might not give an exact representation of the product.