

**IN  
OUT****4WD****2WS**

# HAB20RT

**Articulated boom lifts**

## STANDARD EQUIPMENT

- Oscillating front axle
- Stability on all kinds of terrain
- Two travel speeds
- Two-wheel steering
- Four-wheel drive
- 360° rotation (continuous)
- Special construction equipment-grade integral driveshaft
- Modular design making pieces compatible throughout the range
- Proportional controls
- Thumb rocker steering
- Flashing light
- Non-marking tyres
- Horn
- Hour counter
- Harsh environment kits
- 12V DC Auxiliary power

## BATTERY

- TIANNENG - Lead-acid battery
- Battery capacity: 48 V/320 Ah
- Charger: 48V DC/60 A
- Single-phase 220 V
- Recharge time, 0 - 100% (hours)\* 4,5
- Range Extender engine: Kubota Z482/9.8kW

## BASKET

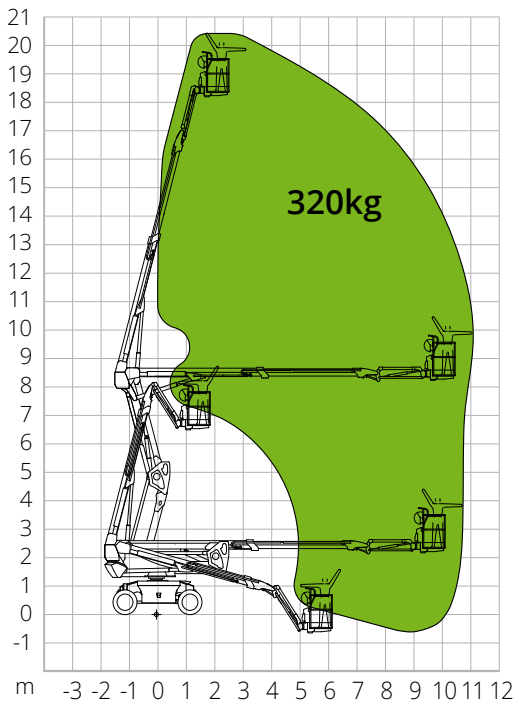
- Self-levelling
- Rotation +/-90°
- Schuko power socket 16A/250 V

## SAFETY

- Drive enable system
- Platform load moment indicator
- On-board diagnostics system
- Emergency lowering system
- Tilt indicator with alarm
- Crushing protection

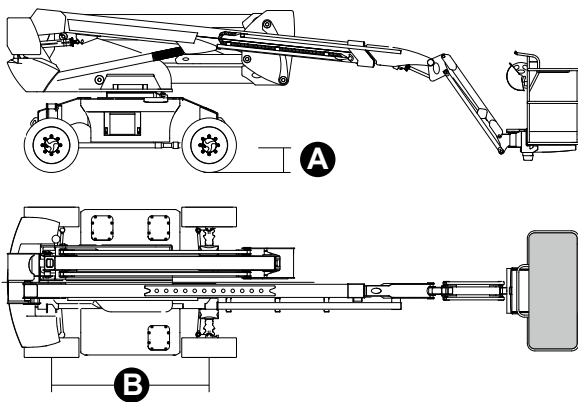
**CONSTRUCTION****LOGISTICS**

## LOAD CHART



## DIMENSIONS

Platform length	-
Platform length (transport)	6.41 m
Platform width (tyres)	-
Platform width (transport)	2.44 m
Platform height	-
Platform height (transport)	2.59 m
Wheelbase	<b>B</b> 2.40 m
Tailswing	0.65 m
Ground clearance	<b>A</b> 0.31 m



### STANDARDS COMPLIANCE: EN 280, ANSI/SAIA A92.20

The data given in this brochure are provided for information purposes and are subject to change without prior notice. All images are purely guideline and might not give an exact representation of the product.

## HAB20RT

### Technical data

Max. working height	20.15 m
Max. basket height	18.15 m
Articulation point	8.18 m
Max. reach	10.53 m
Turning radius (outside)	4.73 m
Turning radius (inside)	3 m
Basket width	0.79 m
Basket length	1.83 m
Basket rotation	180°
Jib type	Standard
Jib length	1.50 m
Jib Vertical Rotation	132°
Below-ground height	1.30 m
Below-ground reach	8.23 m
Auxiliary power	12 V DC

### Performance

Platform max. load capacity	320 kg
Max. occupants	2
Max. gradeability (stowed)	40%
Max. working slope	X-5°/Y-5°
Max. wind speed	12.5 m/s
Travel speed (closed config.)	6.0 km/h
Travel speed (working config.)	1.1 km/h
Turret rotation (continuous)	360°

### Engine

Power	34 AC/9 kW
Range Extender engine	Kubota Z482/9.8 kW
Diesel tank capacity	90 l
Hydraulic tank capacity	145 l
Transmission	Hydrostatic

### Specific characteristics

Tyres	315/55D20
Battery type	TIANNENG - Lead-acid battery
Battery capacity	48V/450Ah
Charger	48VDC/60A
Charger type	Monofase 220V
Recharge time, 0 - 100% (hours)*	4,5
Lifting motors	34VAC/13kW
<b>Total weight</b>	<b>8,900 kg</b>

\*Nominal. The actual value depends on weather and usage factors