



ETB26RT

Telescopic boom lifts



STANDARD EQUIPMENT

- Oscillating front axle
- Two travel speeds
- Four-wheel steering
- Four-wheel drive
- 360° rotation (continuous)
- Special construction equipment-grade integral driveshaft
- Proportional controls
- Thumb rocker steering
- Flashing light
- Non-marking tyres
- Horn
- Hour counter
- Harsh environment kits
- 12V DC Auxiliary power

BATTERY

- Lithium battery - Maintenance-free
- Battery capacity: 80 V/420 Ah
- Single- and three-phase, 380 V & 220 V
- Recharge time, 0 - 100% (hours)* 5.5

BASKET

- Self-levelling
- Rotation +/-90°
- Schuko power socket 16A/250 V

SAFETY

- Drive enable system
- Platform load moment indicator
- On-board diagnostics system
- Emergency lowering system
- Tilt indicator with alarm
- Crushing protection

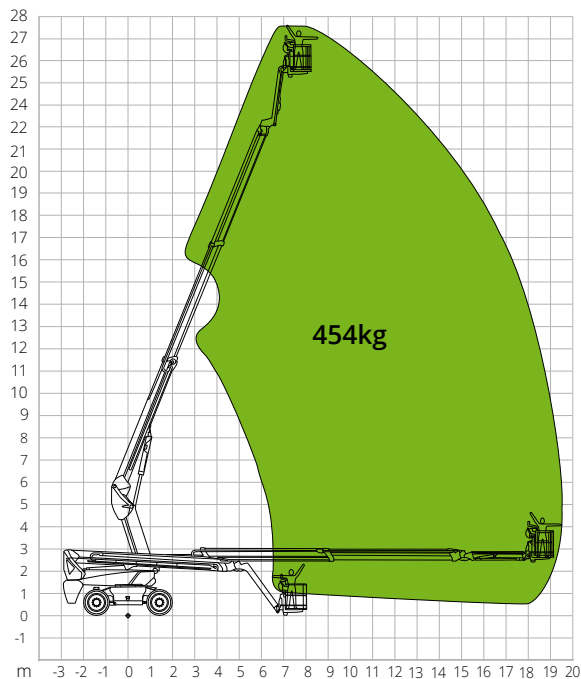


CONSTRUCTION



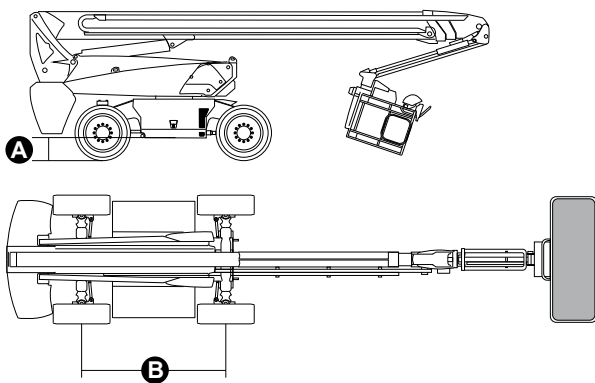
LOGISTICS

LOAD CHART



DIMENSIONS

| | |
|---------------------------------|-----------------|
| Platform length (transport) | 7.95 m |
| Platform width (transport) | 2.50 m |
| Platform width (axle expanded) | - |
| Platform width (axle retracted) | - |
| Platform height (transport) | 2.96 m |
| Wheelbase | B 2.80 m |
| Wheelbase (axle extended) | - |
| Wheelbase (axle retracted) | - |
| Tailswing | 1.61 m |
| Ground clearance | A 0.41 m |



STANDARDS COMPLIANCE: EN 280-1, ANSI/SAIA A92.20

The data given in this brochure are provided for information purposes and are subject to change without prior notice. All images are purely guideline and might not give an exact representation of the product.

ETB26RT

Technical data

| | |
|--------------------------|----------|
| Max. working height | 26.30 m |
| Max. basket height | 24.30 m |
| Max. reach | 19.40 m |
| Turning radius (outside) | 3.22 m |
| Turning radius (inside) | 1.87 m |
| Basket width | 0.91 m |
| Basket length | 2.44 m |
| Basket rotation | 180° |
| Jib type | Standard |
| Jib length | 2.31 m |
| Jib Vertical Rotation | 135° |
| Jib travel angle | - |
| Auxiliary power | 12V DC |

Performance

| | |
|--------------------------------|-----------|
| Platform max. load capacity | 454 kg |
| Max. occupants | 3 |
| Max. gradeability (stowed) | 30% |
| Max. working slope | X-5°/Y-5° |
| Max. wind speed | 12.5 m/s |
| Travel speed (closed config.) | 6.0 km/h |
| Travel speed (working config.) | 1.1 km/h |
| Turret rotation (continuous) | 360° |

Engine

| | |
|-------------------------|--------------|
| Travel power | 54V AC/18 kW |
| Drive pump | - |
| Hydraulic tank capacity | 165 l |
| Transmission | Hydrostatic |

Specific characteristics

| | |
|----------------------------------|--|
| Tyres | 385/45-28 |
| Battery type | Lithium battery - Maintenance-free |
| Battery capacity | 420Ah/80V |
| Charger | - |
| Charger type | Single- and three-phase, 380 V & 220 V |
| Recharge time, 0 - 100% (hours)* | 5,5 |
| Lifting motors | - |

Total weight

16,090 kg

*Nominal. The actual value depends on weather and usage factors