

# TH 5.8 P



MINING &  
QUARRYING



CONSTRUCTION



LOGISTICS



TH  
5.8 P



**CAB**

Best-in-class  
safety and visibility



**PERFORMANCE**

Unrivalled lifting  
performance

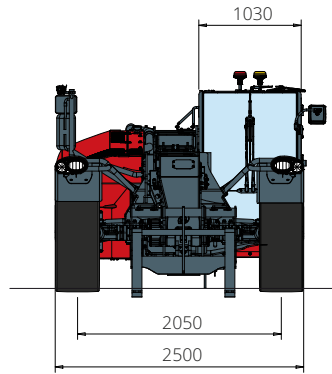


**LOAD LIVE DIAGRAM**

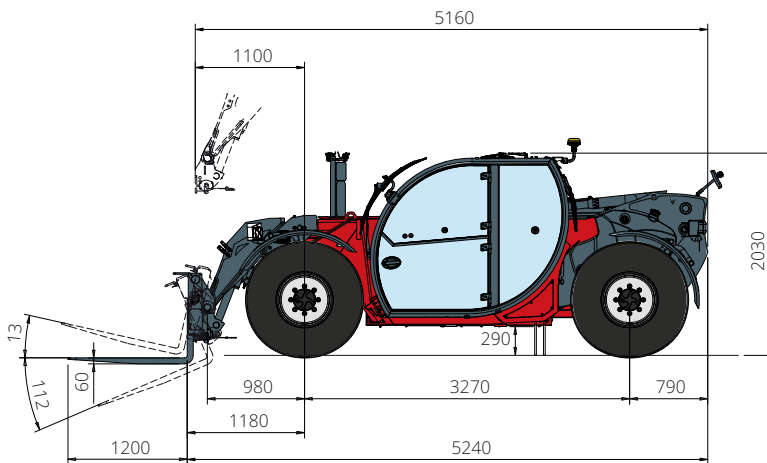
Two real-time dynamic  
load charts

**TH**  
**5.8 P**

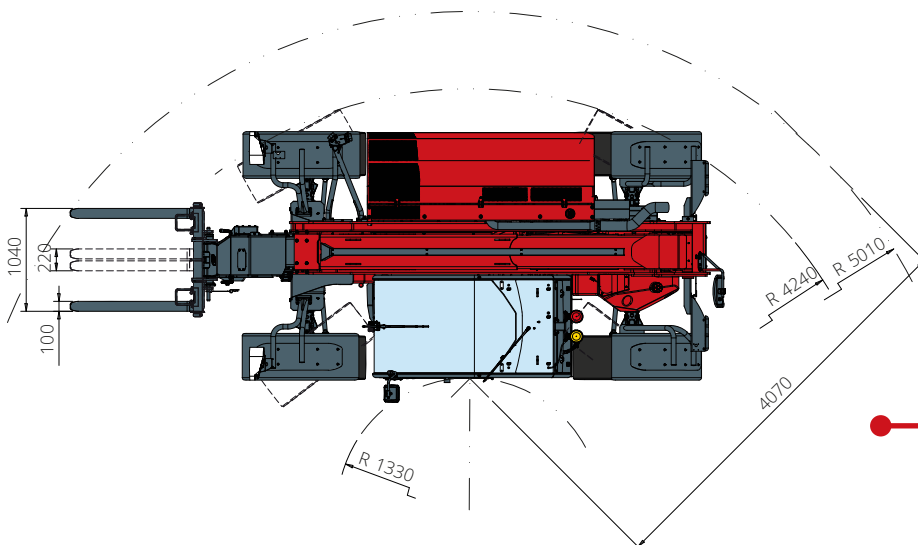
**DIMENSIONS (mm)**



**FRONT**  
view



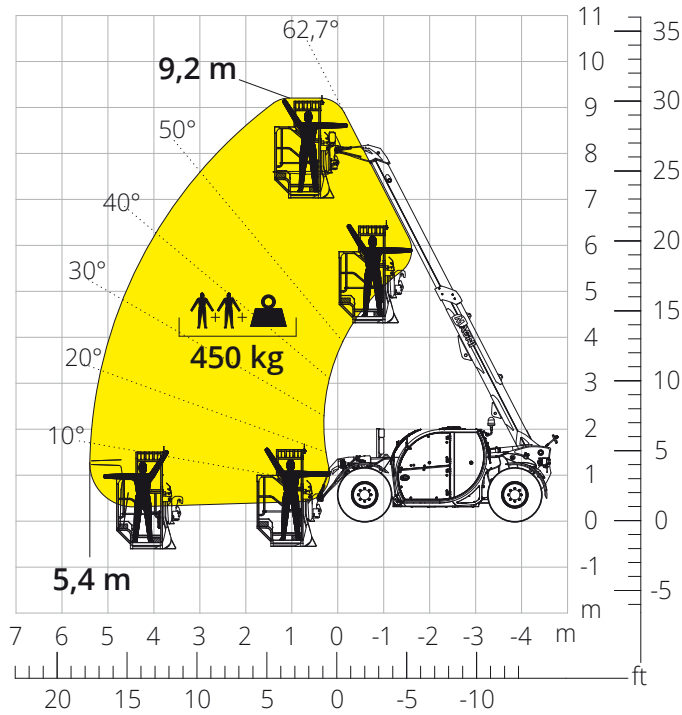
**SIDE**  
view



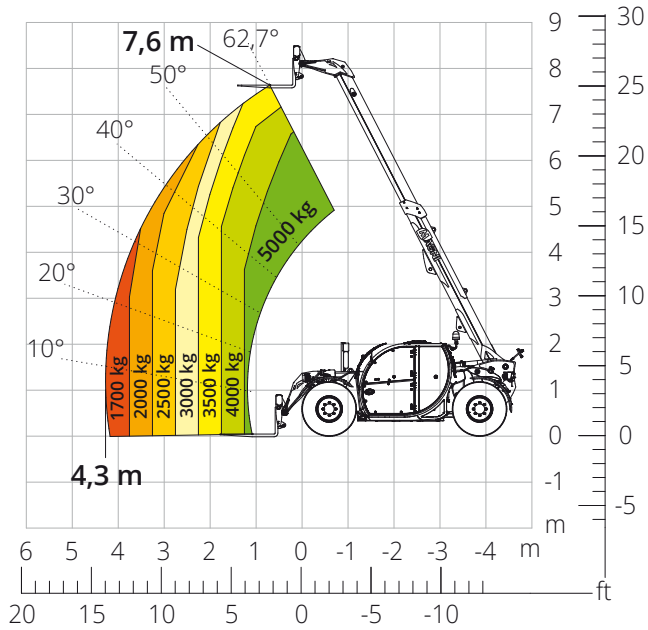
**TOP**  
view

Load chart with  
**PLATFORM, 450 kg,  
FOR MINES**

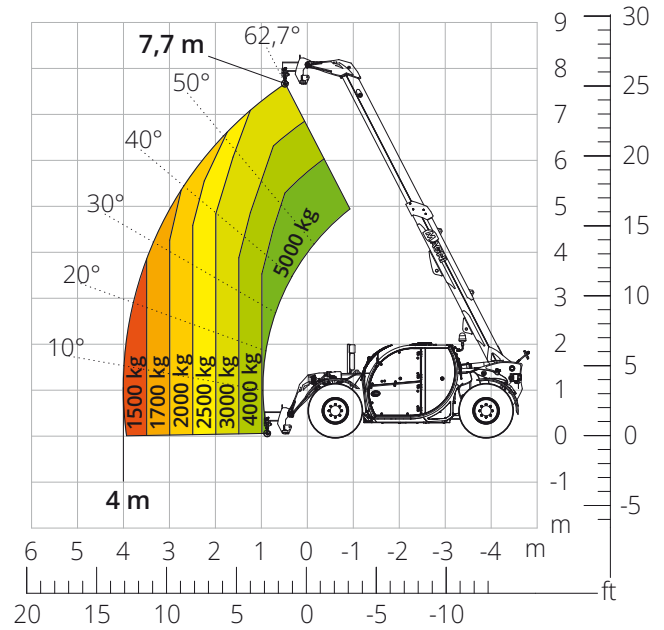
ATT-01-027



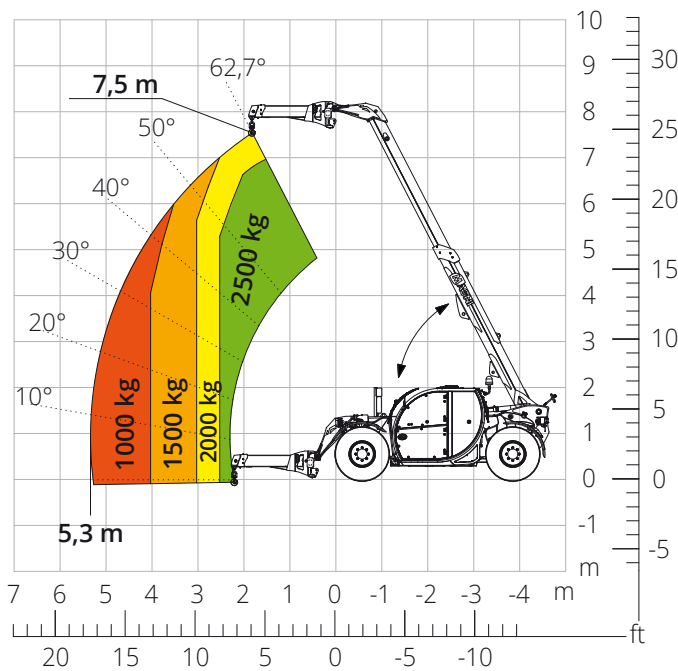
Load chart  
**FRONT ATTACHMENT ON TYRES**  
 ATT-03-039



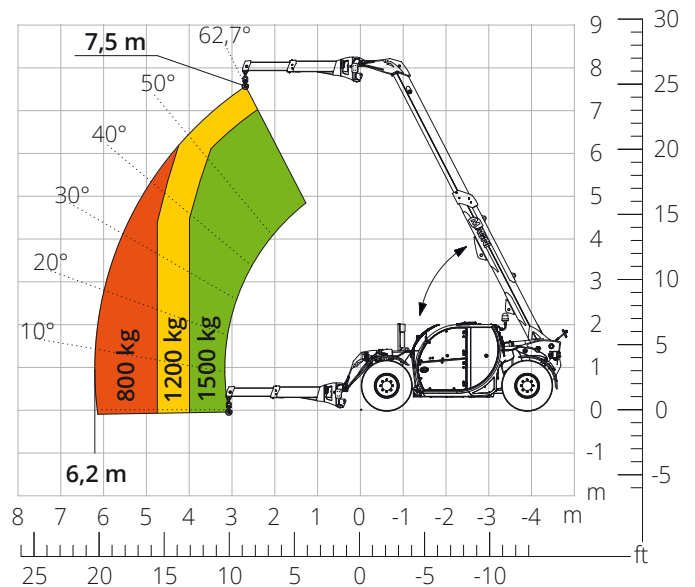
Load chart with  
**HOOK, 5,000 kg**  
 ATT-05-014



Load chart with  
**TELESCOPIC JIB, 2,500 kg - CLOSED**  
 ATT-04-021

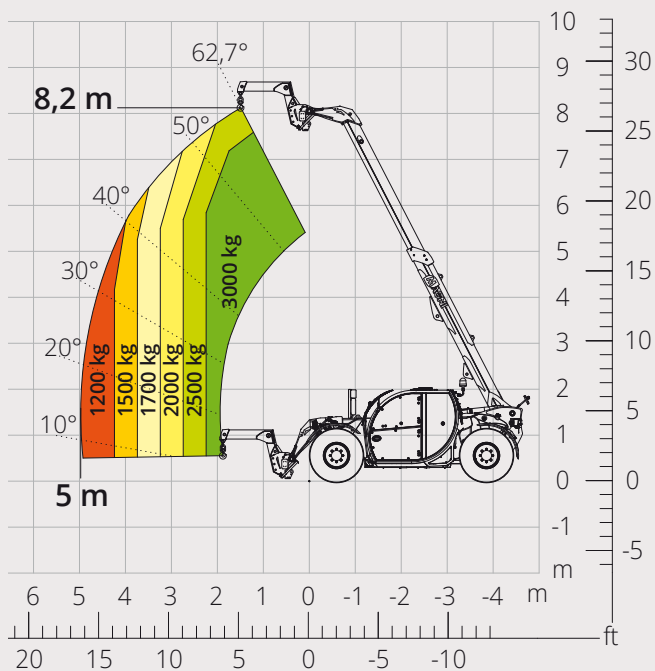


Load chart with  
**TELESCOPIC JIB, 2,500 kg - OPEN**  
 ATT-04-021



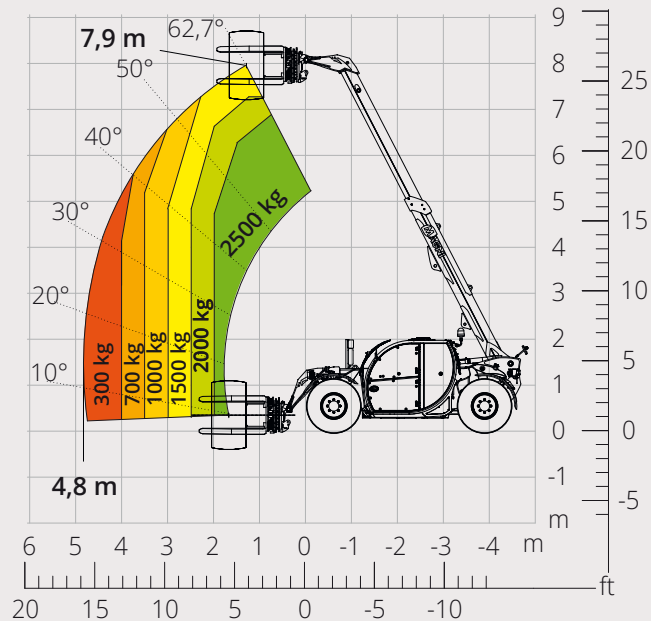
Load chart with  
**3,000 kg "SWAN NECK" JIB**

ATT-04-023



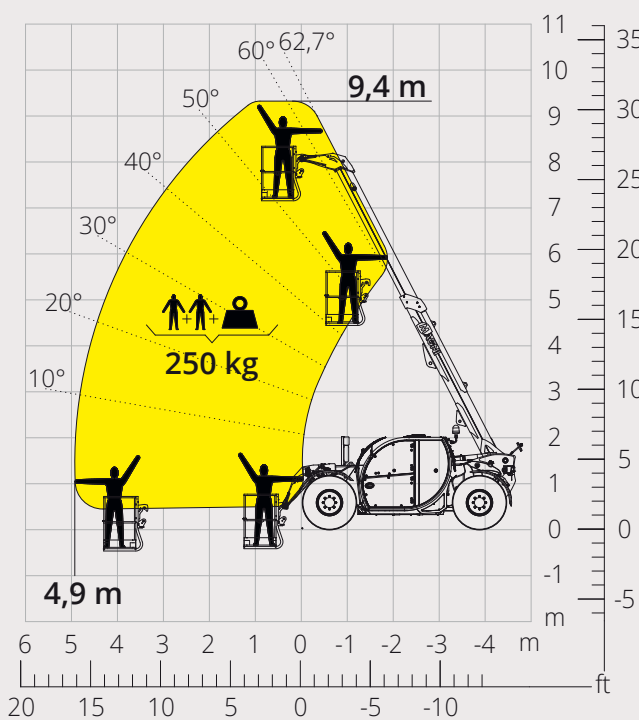
Load chart with  
**TYRE HANDLER, 2,500 kg**

ATT-06-003



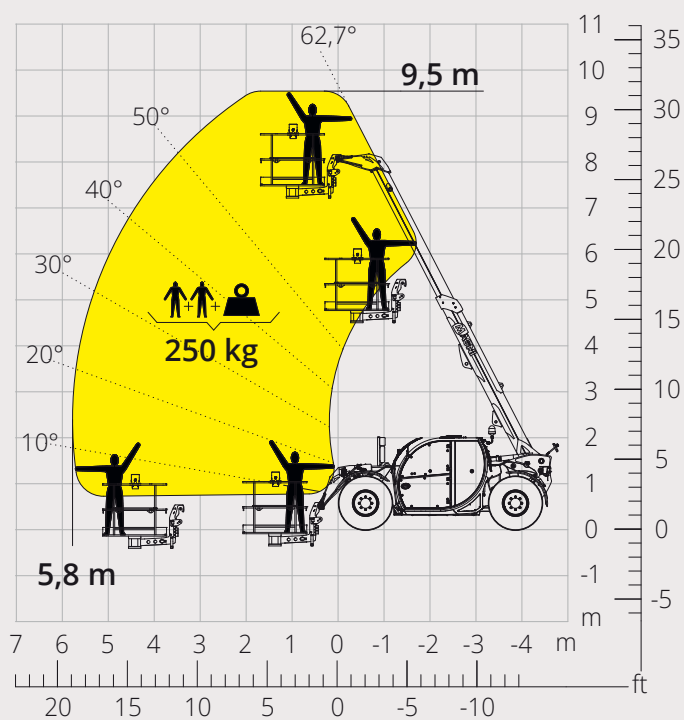
Load chart with  
**FIXED PLATFORM, 250 kg**

ATT-01-001



Load chart with  
**ROTATING EXTENDABLE PLATFORM, 250 kg**

ATT-01-003



<b>Machine model</b>	Telescopic handler	TH 5.8 P	
	Maximum lifting capacity	5,000 kg	
	Maximum lifting height	7.60 m	
	Maximum reach	4.30 m	
<b>Stabilizer</b>	Type	-	
<b>Engine</b>	Model	<b>Deutz TCD 3,6 L4 EDG Stage IIIA</b>	<b>Deutz TCD 3,6 L4 Stage V</b>
	Rated power	74.4 kW (101.2 hp) at 2,200 rpm	
	Maximum torque	410 Nm at 1,600 rpm	
	Displacement	3,6 l	
	Cylinders	4 in line	
	Engine configuration	Turbocharged direct injection diesel	
	Cooling system	Water – intercooler	
<b>Transmission</b>	Type	Hydrostatic	
	Maximum pressure	530 bar	
	Gear box	Dropbox, 2 speeds forward-reverse	
<b>Axles and brakes</b>	Type	Axles with planetary gearboxes	
	Front axle	Steering	
	Rear axle	Free oscillation	
	No. of driving/steering wheels	4WD - 4WS	
	Steering mode	Frontal/Concentric/Crab	
	Service brake	Wet multi-disk on front and rear axle	
	Parking brake	Hydraulic with negative action on front axle	
	Tyres dimensions	445/65 R22.5	
<b>Performance</b>	Max. travel speed	35 km/h	
	Gradeability (unladen)	53%	
	Turning radius (end of forks)	5,010 mm	
<b>Weights</b>	Total unladen*	8,000 kg	
	Front axle unladen (boom retracted and lowered)*	4,200 kg	
	Rear axle unladen (boom retracted and lowered)*	4,800 kg	
<b>Tank and system capacities</b>	Fuel tank	150 l	
	AdBlue	10 l	
	Hydraulic oil tank	93 l	
	Engine oil tank	9 l	
	Cooling liquid	20 l	
<b>Hydraulic circuit for movements</b>	Circuit type	Load sensing	
	Service pump	Variable displacement	
	Max. hydraulic flow rate	90 l/min	
	Max. boom head flow rate	75 l/min	
	Max. operating system pressure	225 bar	
	Controls for boom movements	SIL 2 electro-proportional valve	
	Movements control	1 joystick with integrated manoeuvre enable	
<b>Standard met</b>	2006/42/EC: EU Machinery Directive		
	2016/1628: EU Regulation on the emissions of stage V engines		
	EN 1459-X: Relating to standards on the safety requirements for variable reach machines		
	EN 280-1/EN 280-2: standards relating to mobile elevating work platforms (if available)		
	ROPS/level 2 FOPS: relating to the standards for protective structures		

*The data given in this brochure are provided for information purposes and are subject to change without prior notice.*

*All images are purely guideline and might not give an exact representation of the product.*

*\*the stated weight refers to the vehicle unladen with standard equipment and may vary depending on the chosen configuration.*

The standard machine configuration includes:

## CAB

- Comfort seat with adjustable headrest
- Adjustable steering column
- Analogue joypad
- Adjustable sunblind
- Heating
- Air conditioning
- FM/AM radio with USB and Bluetooth connectivity
- Ambient LED lights
- USB Type-A and Type-C (5 V) inputs

## REAL TIME INFORMATION

- Touchscreen, 7"
- MCTS – Magni Combi Touch System on-board software
- Automatic RFID tools recognition system
- LMI – Load Moment Indicator
- LLD – Live Load Diagram
- Onboard and remote integrated diagnostics

## TECHNICAL SPECIFICATIONS

- Q-Fit standard
- Advanced three-line CAN BUS system
- Automatic front and rear wheel alignment
- Automatic parking brake
- Mechanical battery cut-off in engine compartment
- Electrical system: 24 V – IP67

## SERVICE

- Warranty: 24 months/2,000 hours